

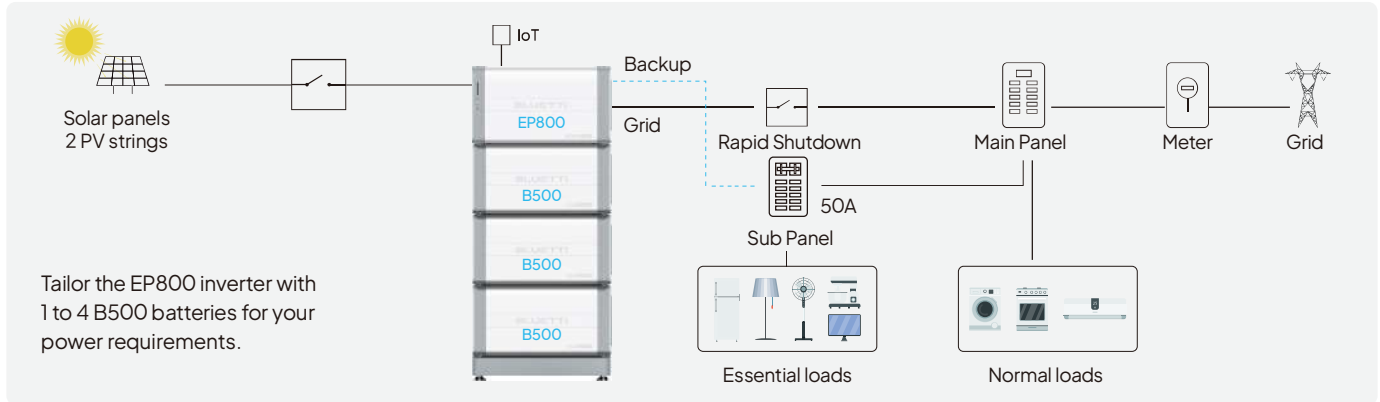


BLUETTI EP800

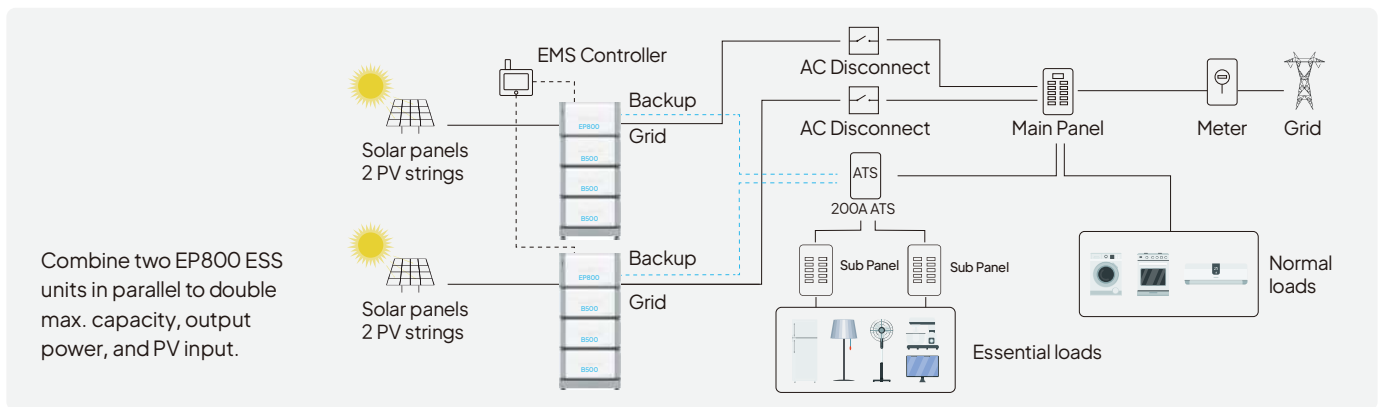
Off-grid Energy Storage System

How it Works

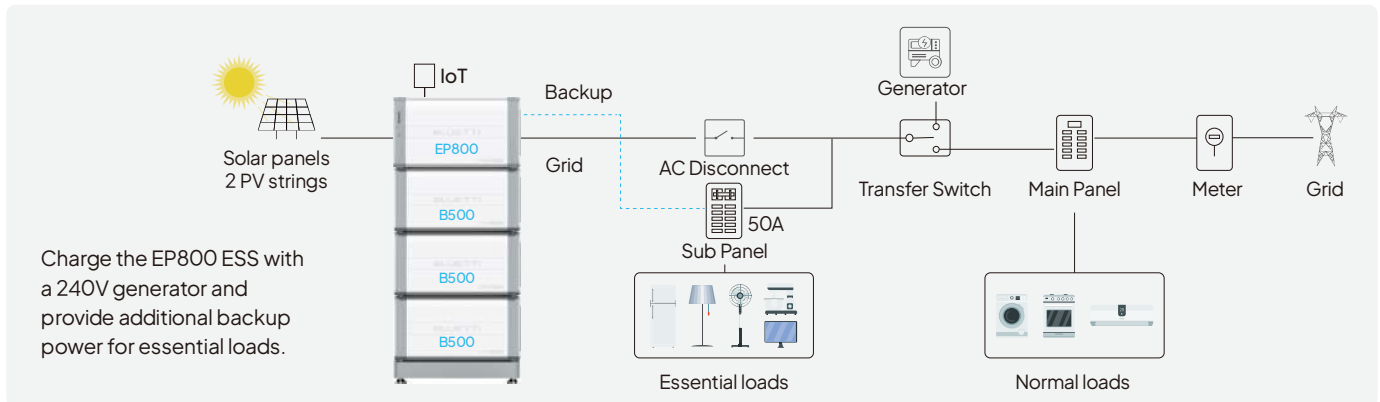
Standard Home Backup



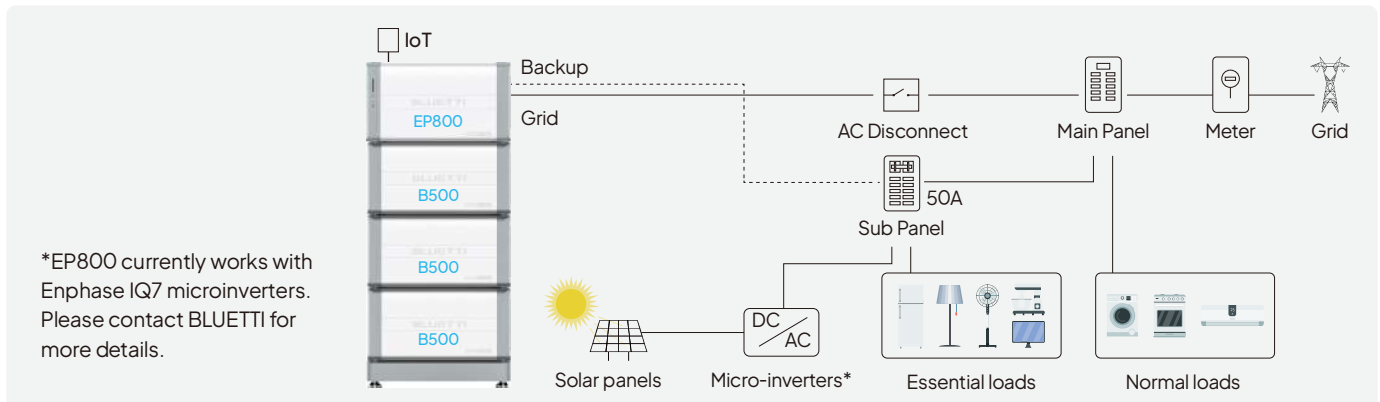
Parallel Connection with ATS

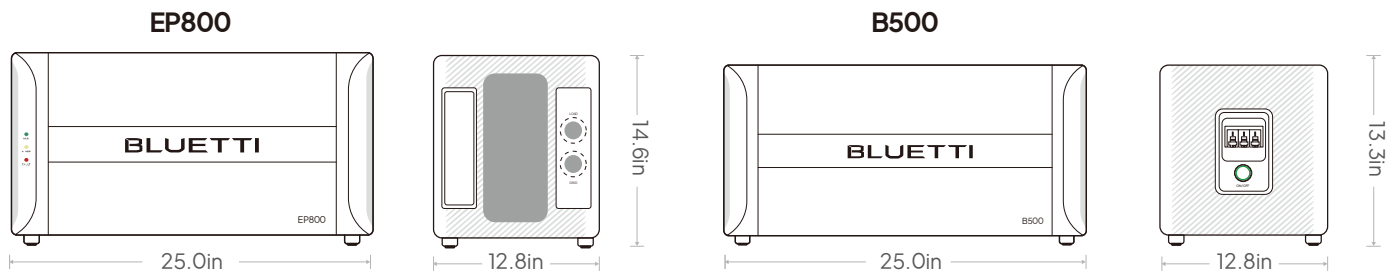


Generator as Backup



AC Coupled with Microinverters





Specifications

Configurations	1*EP800 +1*B500	1*EP800 +2*B500	1*EP800 +3*B500	1*EP800 +4*B500	2*EP800 +4*B500	2*EP800 +6*B500	2*EP800 +8*B500
Capacity	4.9kWh	9.9kWh	14.8kWh	19.8kWh	19.8kWh	29.7kWh	39.6kWh
Output Power	(Without PV & Grid Input)	3.8kW	7.6kW		15.2kW		
	(With Grid Input)	5kW					
	(With PV Input)	7.6kW					
Max. Solar Input	9kW				18kW		
Max. Input Apparent Power	12 kVA				24kVA		

EP800 Hybrid Inverter

General

Operating Temperature	4°F to 104°F / -20°C to 40°C
Noise	≤50dB(A)
Net Weight	105 lbs / 48 kg
Cooling	Forced Air Cooling
Connectivity	USB / Wi-Fi / Bluetooth
Protection Rating	NEMA 4X / IP65

Warranty	10 Years
Dimensions	25.0in x 12.8in x 14.6in / 636mm x 325mm x 370mm
Input Frequency	60Hz
Switch Over Time to Backup Power	<20ms
Phase	L1 / L2 / N / G

PV INPUT

Max. Power	9,000W (3,000W + 6,000W)
MPPT Voltage Range / Rated Voltage	150V~500V / 360V
MPPT Channel	2
Single MPPT Input Current	12.5A / 25A
Single MPPT Short Circuit Current	15A / 30A

AC OUTPUT (BACKUP)

Rated Power	7,600W
Rated Voltage	120V / 240V
Frequency	60Hz

Compliances

Safety	UL 1741, CSA C22.2#107.1, UL 9540
Emissions	FCC Part 15, Subpart B, ICES-003
Certificates	cETLus, FCC, IC

B500 Modular Battery

Battery Chemistry	LiFePO ₄
Capacity	4,960Wh
Net Weight	127.8 lbs / 58 kg
Protection Grade	NEMA 4X / IP65
Dimensions	25.0in x 12.8in x 13.3in / 636mm x 325mm x 338mm

Compliances

Safety	EN IEC 62619, UL 1973, UL 9540A, UL 9540, JIS C8715-2
Emissions	EN IEC 61000-6-3, EN IEC 61000-6-1
Shipping	UN 38.3
RoHs	2011/65/EU and (EU) 2015/863
Certificates	CE, CB, cETLus, FCC, IC, RCM

*Specifications are subject to change without further notice.

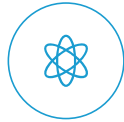
Home Energy Storage Made Simple

EP800 is an off-grid energy storage system designed to protect your home from unexpected outages. With plenty of backup power, you no longer have to rely solely on the grid, enhancing energy self-sufficiency and the freedom to embrace off-grid living. Its modular design, including the EP800 hybrid inverter and B500 batteries, not only offers customizable capacity for your specific needs but also ensures a hassle-free installation process, making reliable power within easy reach.



Outage Protection

With just 20ms switch over time, rest assured that your essential appliances stay powered even when the grid goes down.



Energy Independence

Transition into a power producer to reduce your reliance on the fluctuant grid, reclaiming control over your energy management.



Easy Off-grid Setup

Get rid of tangled wires or complex grid constraints as installation becomes a breeze with just two people in hours.



Modular Design

Provide flexibility and scalability for easy expansion and customization to match your present and future needs.



Safety and Compliance

EP800 is rated NEMA 4X, coupled with a 10-year warranty and product liability insurance, ensures utmost safety and peace of mind for your home.

TOP

Portable Power
Station Brand

1st

Manufacturer of
Outdoor & Home ESS

2M+

Trusted by
2,000,000+ Global Users

About BLUETTI

From the very beginning, BLUETTI has tried to stay true to a sustainable future through an array of green energy storage systems (ESS) for home, off-grid and commercial use, including power stations, solar panels, and accessories.

With over 10 years of expertise, innovation-driven development, and attentive service, BLUETTI's extensive and reliable product portfolio is ideal for outdoor adventures, emergency backup power, and off-grid living while delivering an exceptional eco-friendly experience for our homes and our world.

That's why BLUETTI has become an industry leader that makes its presence in 100+ countries and is trusted by millions of customers across the globe.



Contact Us