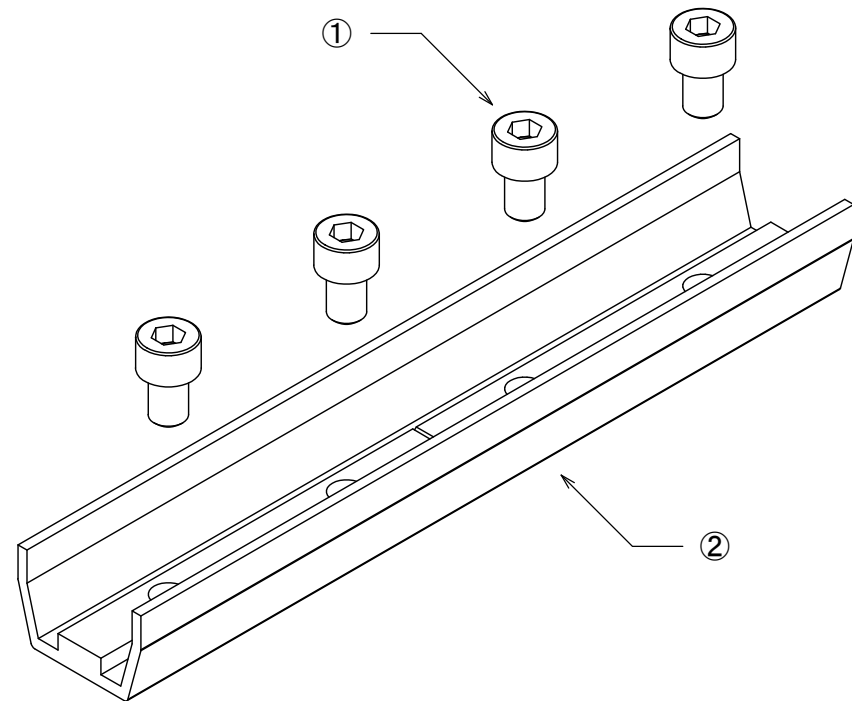
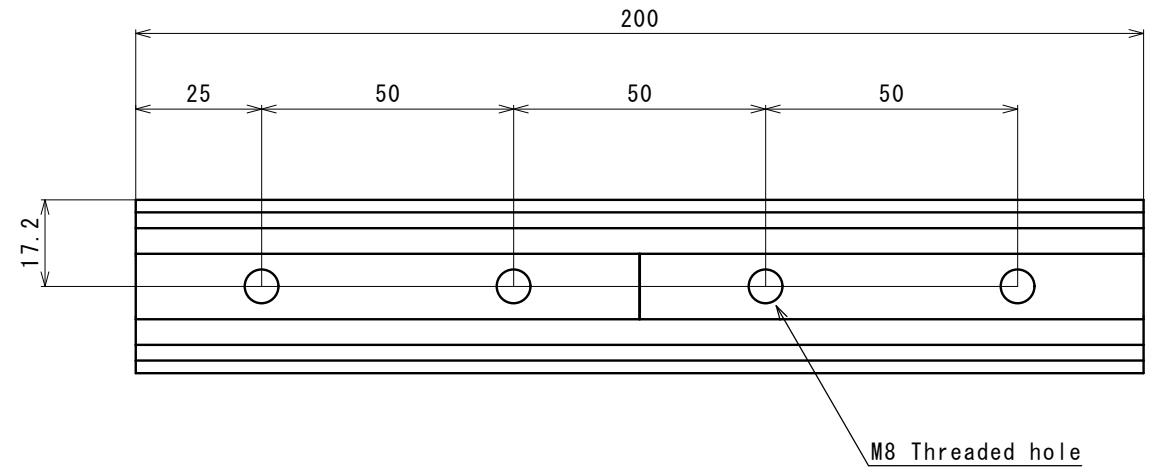
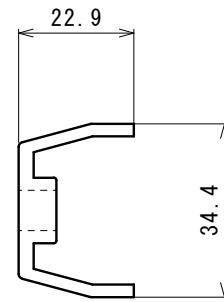


SS RAIL SPLICE



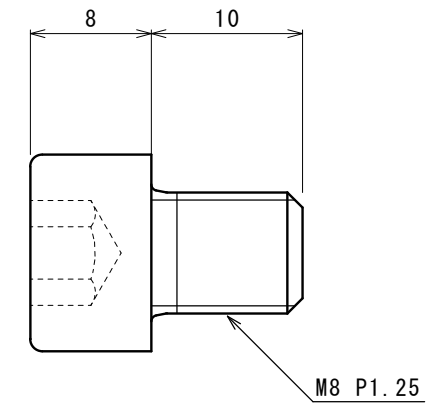
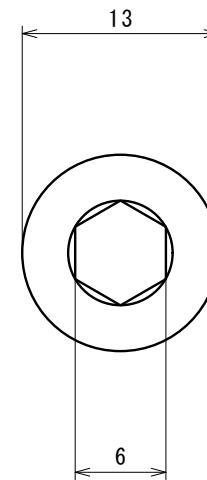
ITEM NO.	DESCRIPTION	QTY IN KIT
1	RAIL SPLICE BRACKET	20
2	M8x10 HX-HEAD CAP SCREW	80

1) RAIL SPLICE BRACKET



Material: 6000 Series Aluminum
Finish : Mill

2) M8x10 HX-HEAD CAP SCREW



Material: 300 Series Stainless Steel
Finish : Clear

▲				APPROVAL	CHECK	DRAWING	DATE DRAWING	DWG NAME	SS RAIL SPLICE	Rev.
▲	-	-	-	-	-	-	-	DWG NO.	SS01-RS-00	-
Rev. NUMBER	DATE	NAME	REVISION REASON	■ This drawing is a business secret of INTEGRITY SOLAR MOUNTS And any act to copy, use or transfer to third party this drawing without prior approval constitutes illegal misconduct.				INTEGRITY SOLAR MOUNTS	SHEET NO.	SIZE
SCALE	NS		UNIT: mm	1/1	A3					