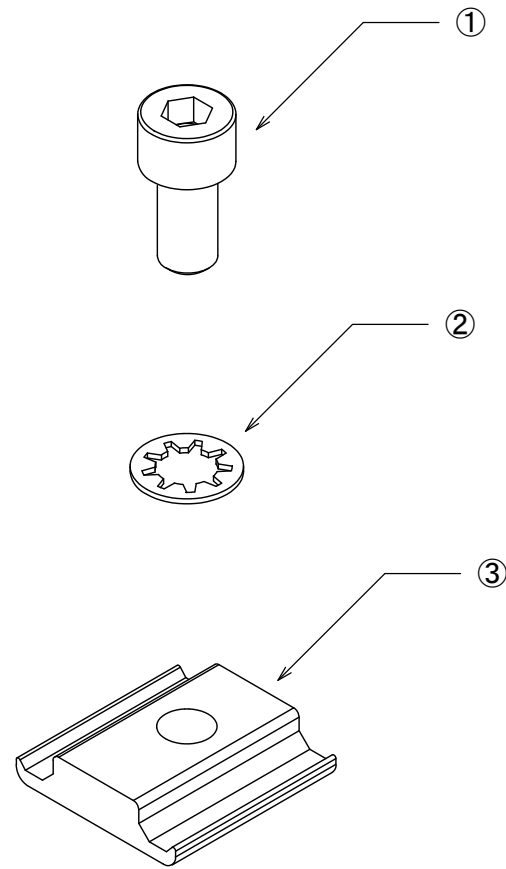
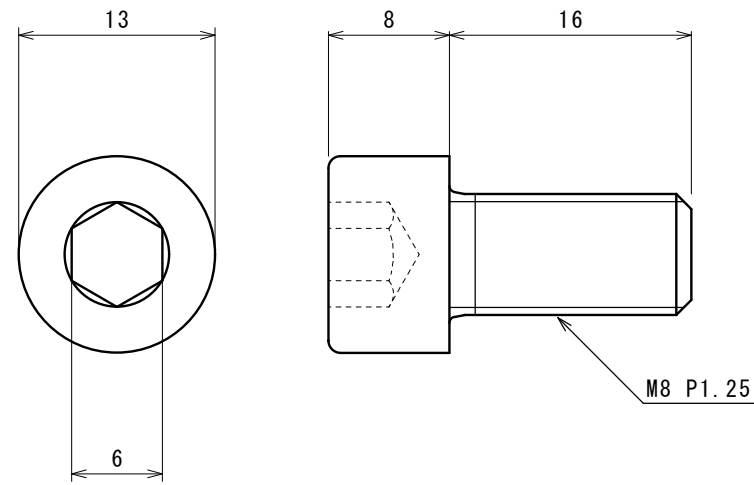


# SS RAIL MICROINVERTER BRACKET



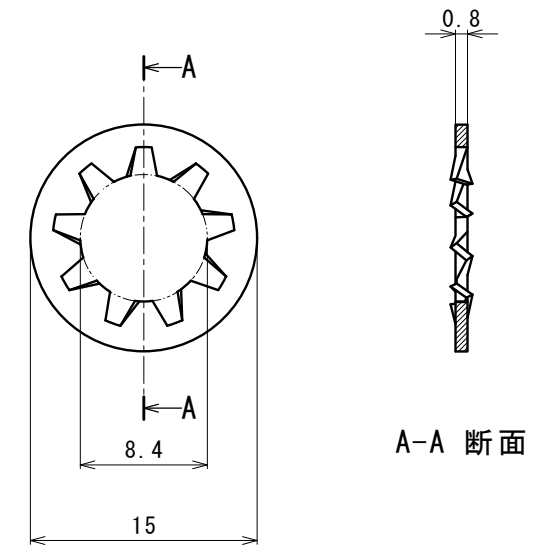
ITEM NO.	DESCRIPTION	QTY IN KIT
1	M8x16 HX-HEAD CAP SCREW	20
2	M8 INTERNAL TOOTH LOCK WASHER	20
3	RECEIVE MICROINVERTER	20

## 1) M8x16 HX-HEAD CAP SCREW



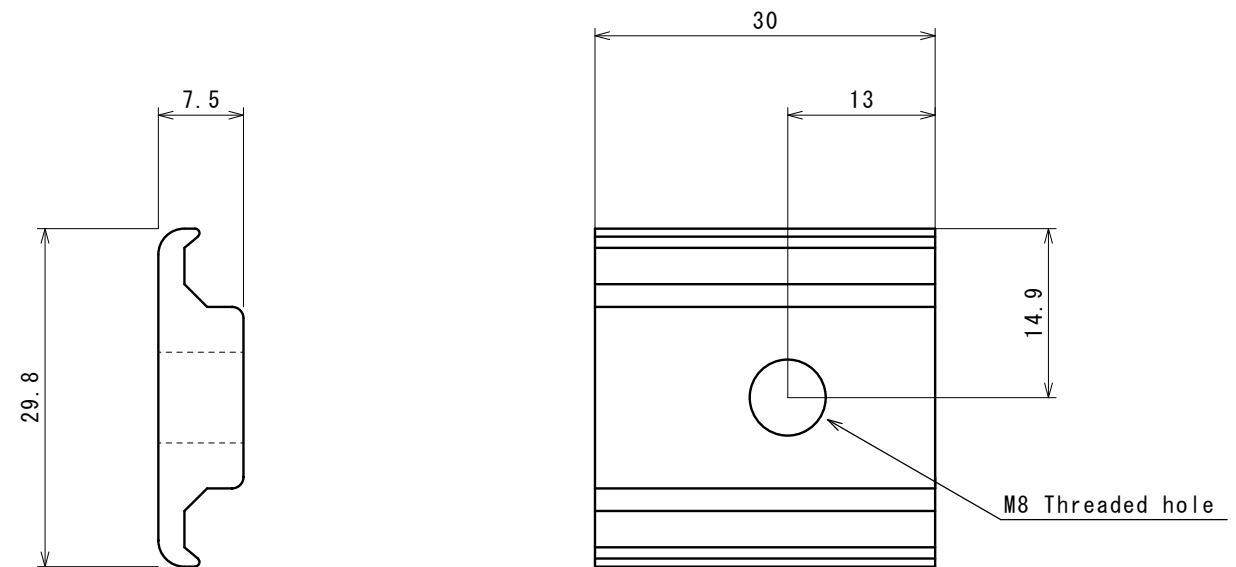
Material: 300 Series Stainless Steel  
Finish : Clear

## 2) M8 INTERNAL TOOTH LOCK WASHER



Material: 300 Series Stainless Steel  
Finish : Clear

## 3) RECEIVE MICROINVERTER



Material: 6000 Series Aluminum  
Finish : Mill

△				APPROVAL	CHECK	DRAWING	DATE DRAWING	DWG NAME	SS RAIL MICROINVERTER BRACKET	Rev.
△	-	-	-	-	-	-	-	DWG NO.	SS01-RMC-00	-
Rev. NUMBER	DATE	NAME	REVISION REASON	■ This drawing is a business secret of INTEGRITY SOLAR MOUNTS. And any act to copy, use or transfer to third party this drawing without prior approval constitutes illegal misconduct.				<b>INTEGRITY SOLAR MOUNTS</b>	SHEET NO.	SIZE
SCALE	NS		UNIT: mm	1/1	A3					