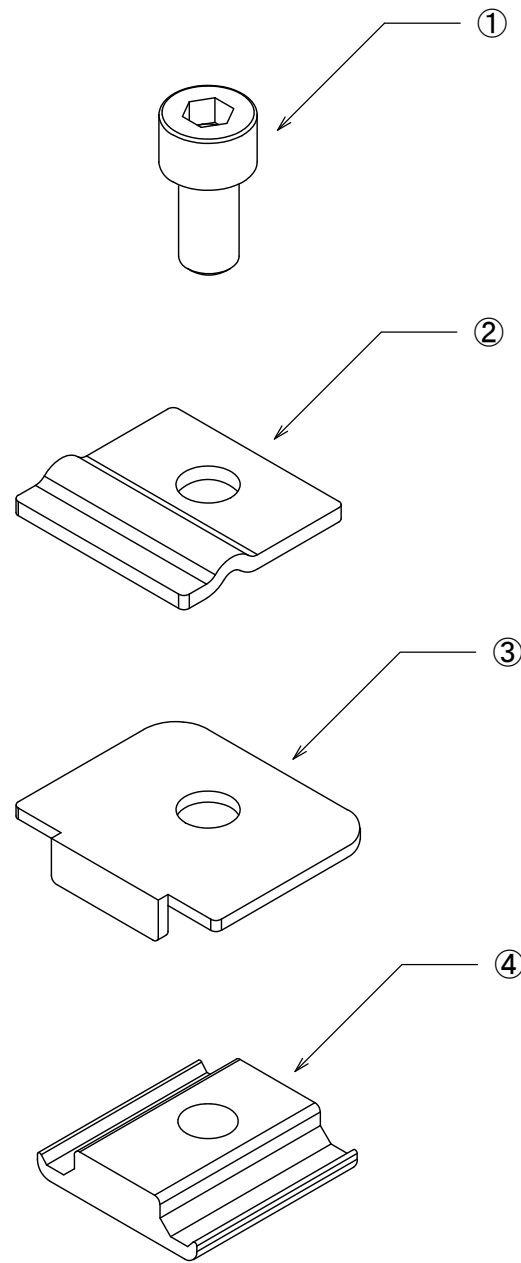
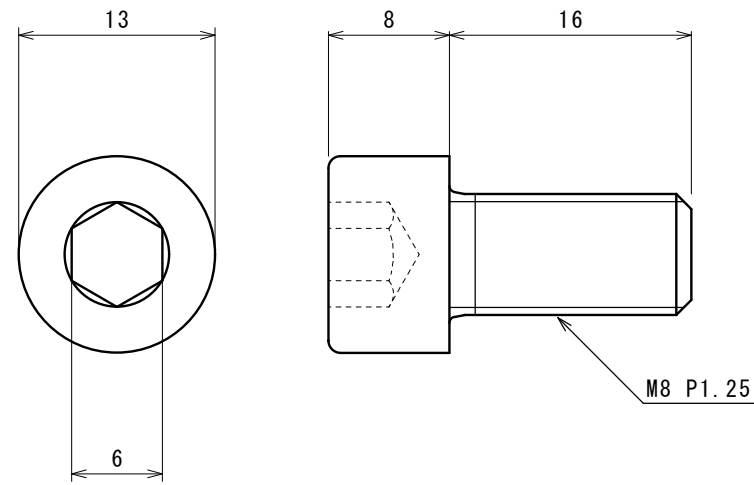


SS RAIL GROUNDING WIRE BRACKET



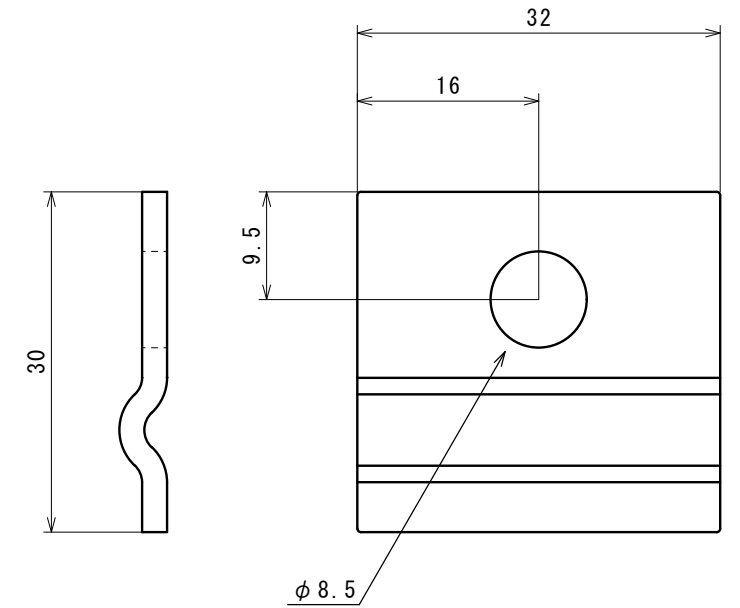
ITEM NO.	DESCRIPTION	QTY IN KIT
1	M8x16 HX-HEAD CAP SCREW	20
2	CABLE COVER PLATE	20
3	CABLE RECEIVE PLATE	20
4	RECEIVE MICROINVERTER	20

1) M8x16 HX-HEAD CAP SCREW



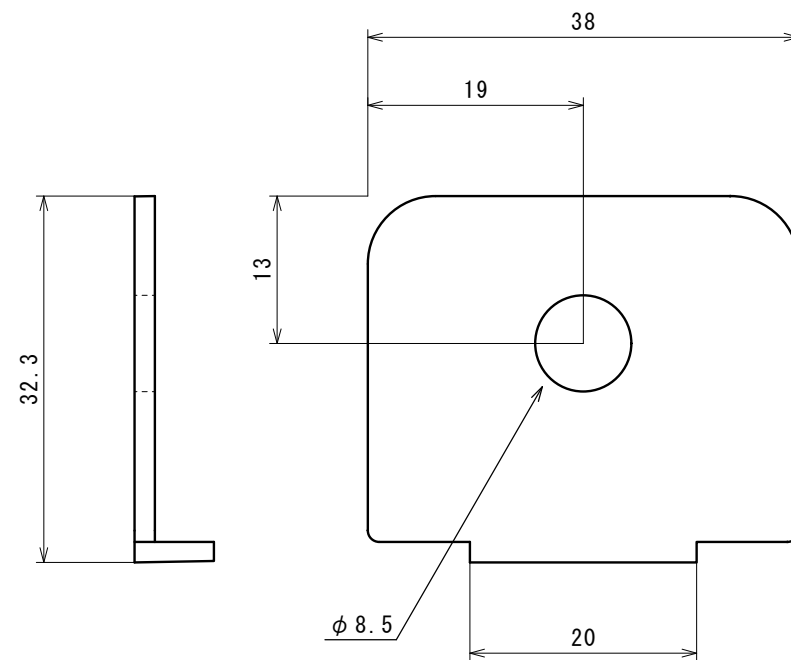
Material: 300 Series Stainless Steel
Finish: Clear

2) CABLE COVER PLATE



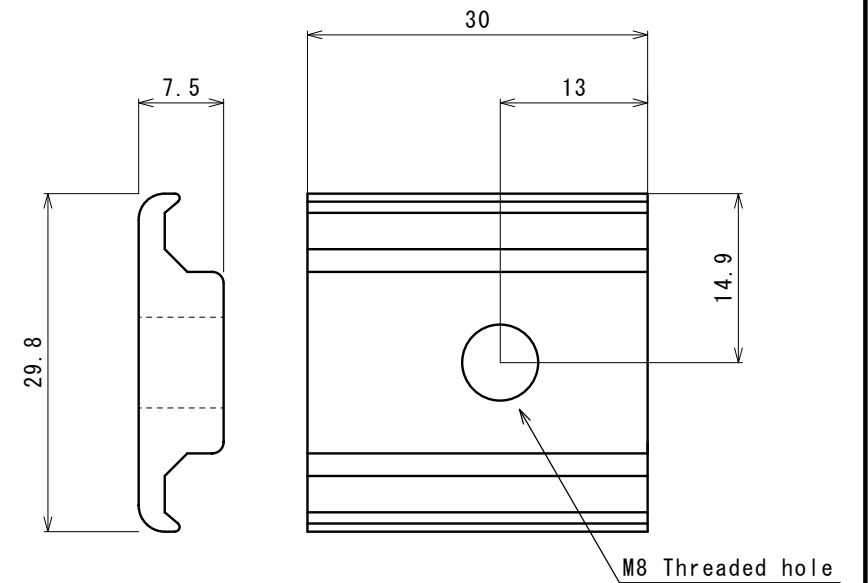
Material: 6000 Series Aluminum
Finish: Tin Coating

3) CABLE RECEIVE PLATE



Material: PBT
Finish: Black

4) RECEIVE MICROINVERTER



Material: 6000 Series Aluminum
Finish: Mill

Rev. NUMBER	DATE	NAME	REVISION REASON	APPROVAL	CHECK	DRAWING	DATE DRAWING	DWG NAME	SS RAIL GROUNDING WIRE BRACKET	Rev.
-	-	-	-	-	-	-	-	DWG NO.	SS01-RGW-00	-
SCALE	NS		UNIT: mm	■ This drawing is a business secret of INTEGRITY SOLAR MOUNTS And any act to copy, use or transfer to third party this drawing without prior approval constitutes illegal misconduct.					SHEET NO.	SIZE
									1/1	A3