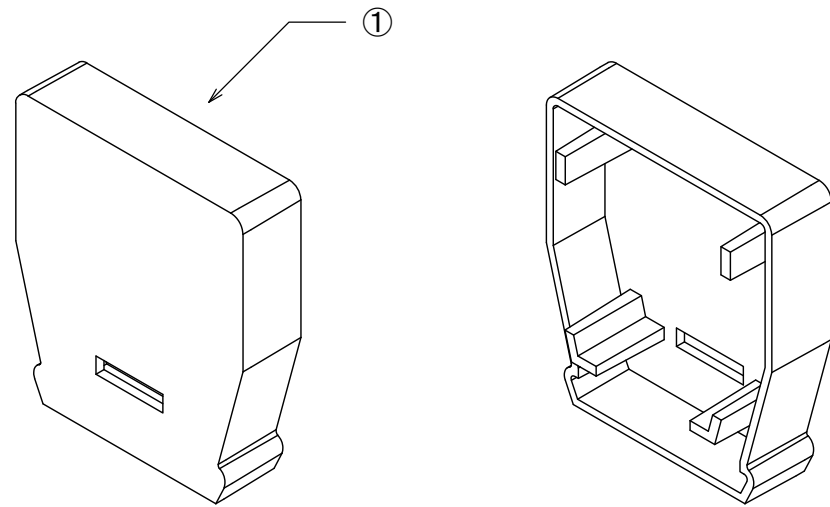
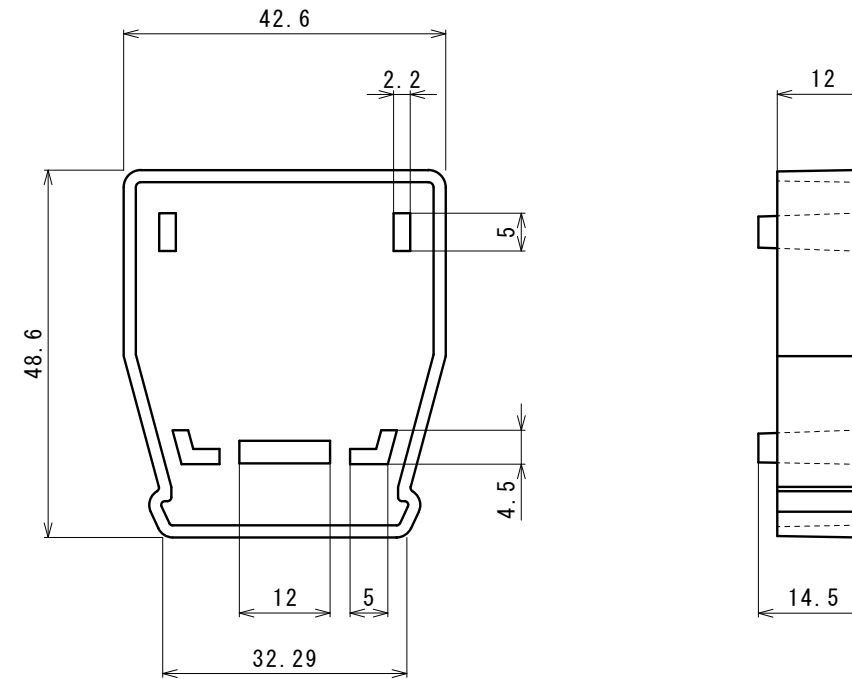


SS RAIL END CAP



ITEM NO.	DESCRIPTION	QTY IN KIT
1	RAIL END CAP	20

1) RAIL END CAP



Material:ASA  
Finish :Black

Rev. NUMBER	DATE	NAME	REVISION REASON	APPROVAL	CHECK	DRAWING	DATE DRAWING	DWG NAME	SS RAIL END CAP	Rev.
-	-	-	-	-	-	-	-	DWG NO.	SS01-ECP-00	-
■ This drawing is a business secret of INTEGRITY SOLAR MOUNTS And any act to copy, use or transfer to third party this drawing without prior approval constitutes illegal misconduct.				<b>INTEGRITY SOLAR MOUNTS</b>		SHEET NO.	1/1	SIZE	A3	
SCALE	NS		UNIT: mm							