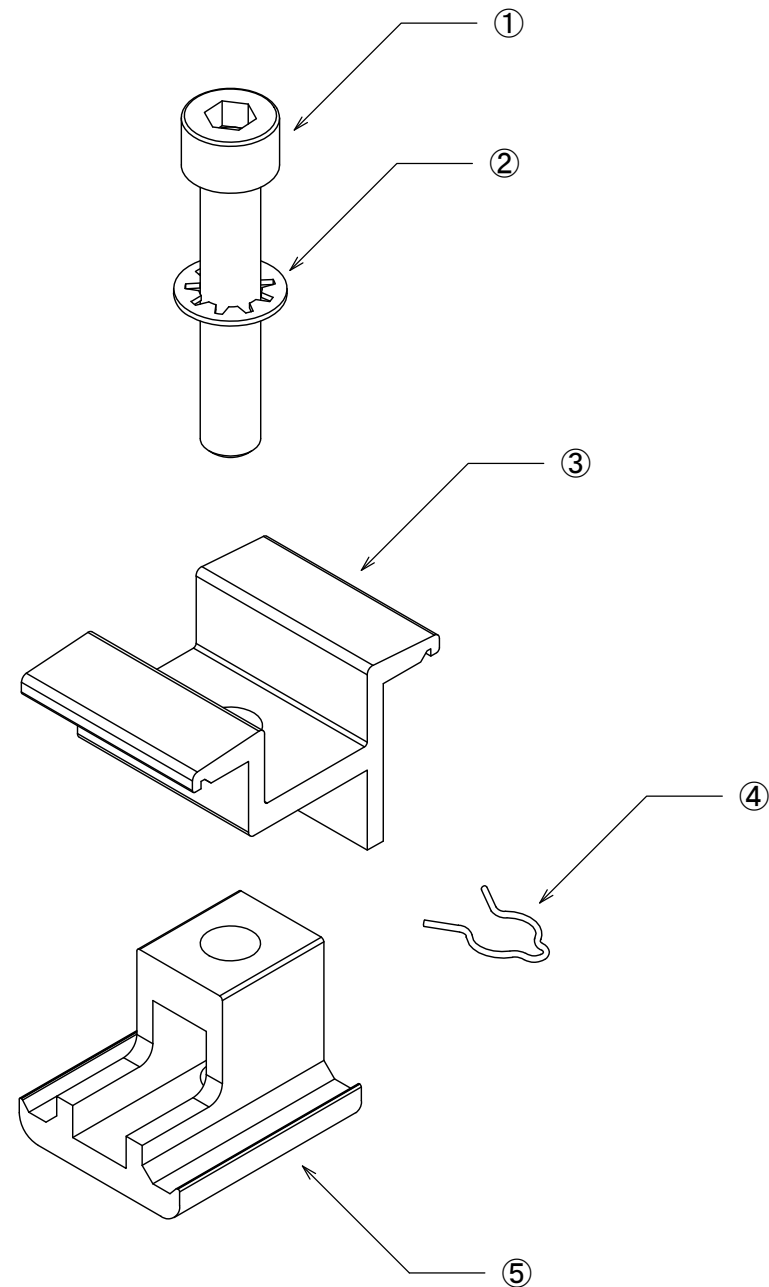
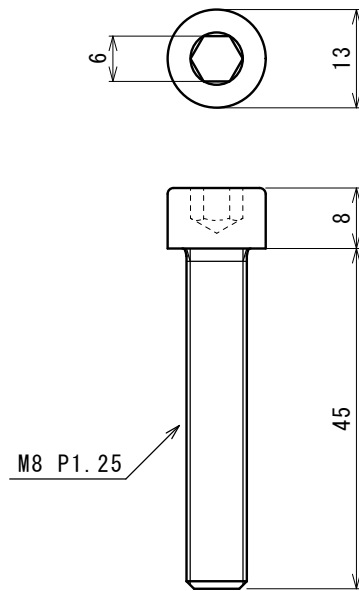


# SS RAIL CLAMP



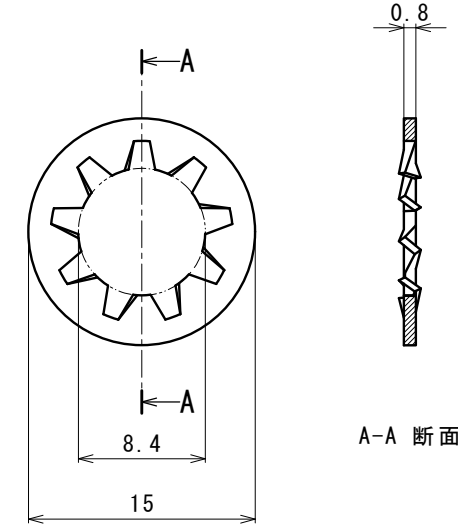
ITEM NO.	DESCRIPTION	QTY IN KIT
1	M8x45 HX-HEAD CAP SCREW	20
2	M8 INTERNAL TOOTH LOCK WASHER	20
3	UNIVERSAL CLAMP	20
4	M8 SNAP RETAINER	20
5	RECEIVE CLAMP BRACKET	20

## 1) M8x45 HX-HEAD CAP SCREW



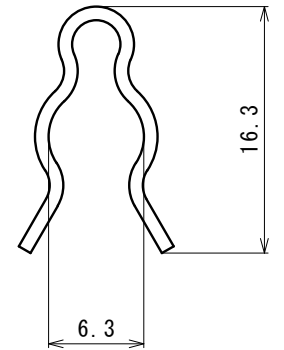
Material: 300 Series Stainless Steel  
Finish : Clear + Black (Head)

## 2) M8 INTERNAL TOOTH LOCK WASHER



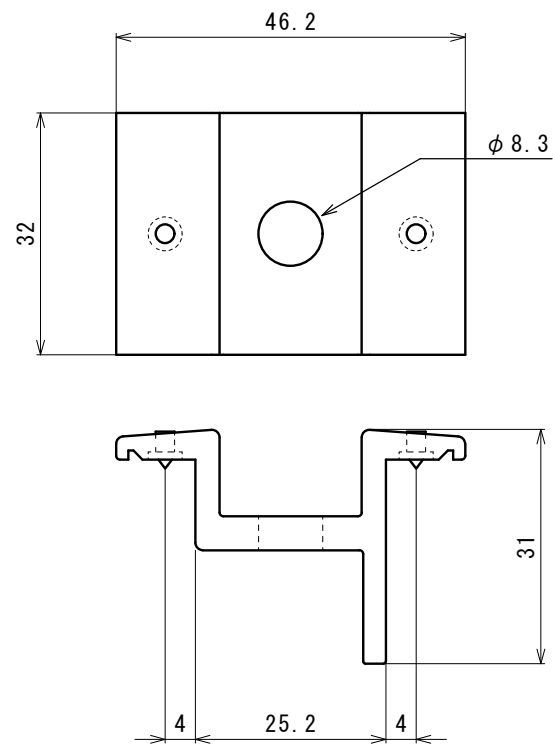
Material: 300 Series Stainless Steel  
Finish : Clear

## 4) M8 SNAP RETAINER



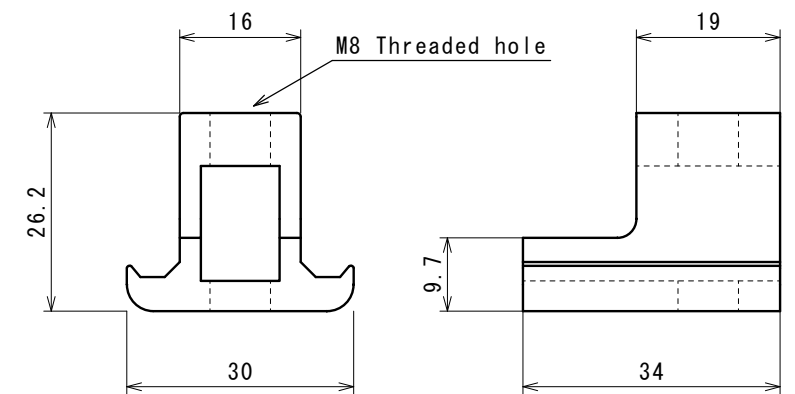
Material: 300 Series Stainless Steel  
Finish : Clear

## 3) UNIVERSAL CLAMP



Material: 6000 Series Aluminum  
Finish : Black

## 5) RECEIVE CLAMP BRACKET



Material: 6000 Series Aluminum  
Finish : Mill

Rev. NUMBER	DATE	NAME	REVISION REASON	APPROVAL	CHECK	DRAWING	DATE DRAWING	DWG NAME	SS RAIL CLAMP	Rev.	
-	-	-	-	-	-	-	-	DWG NO.	SS01-RC-00	-	
SCALE	NS		UNIT: mm	■ This drawing is a business secret of INTEGRITY SOLAR MOUNTS And any act to copy, use or transfer to third party this drawing without prior approval constitutes illegal misconduct.					SHEET NO.	SIZE	
										1/1	A3