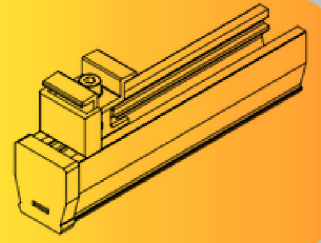
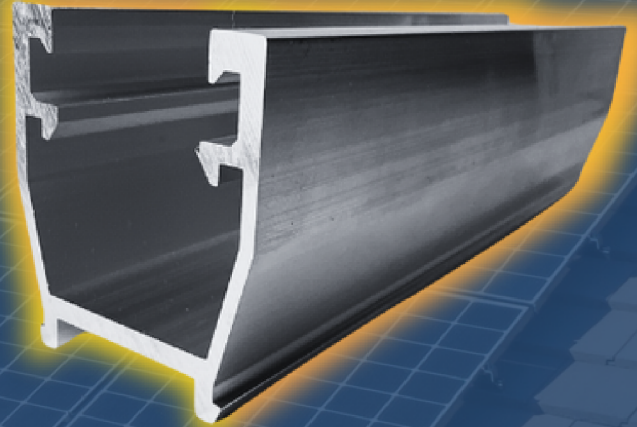


INTEGRITY RAIL

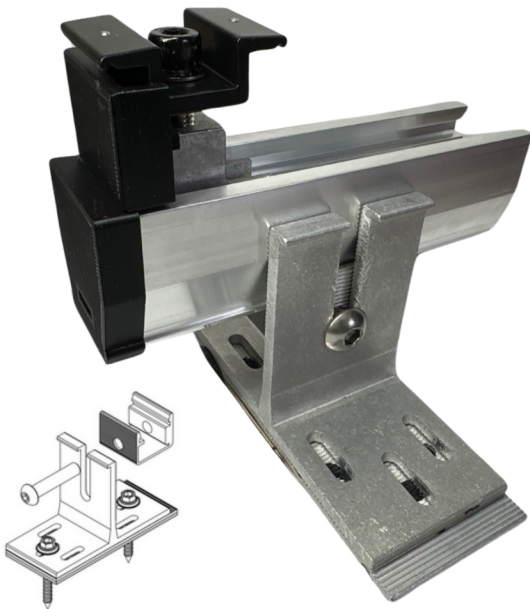


Open Channel Rail
Mill & Black

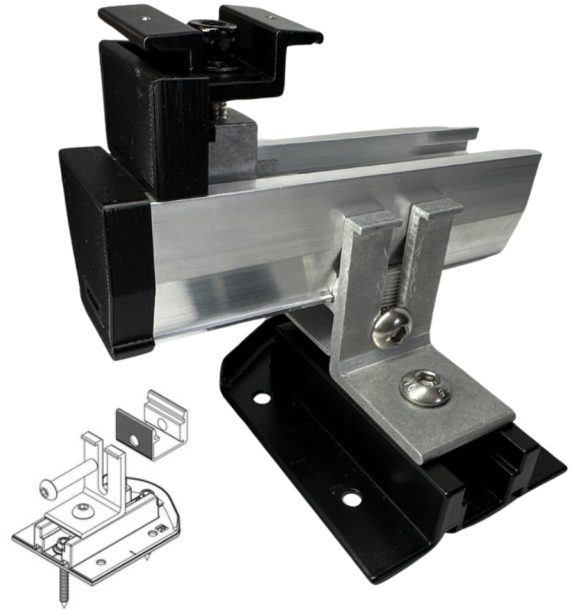
- Roof-saving adjustable L-foot design
- Safe for most roof types
- Superior water-proof technology
- Engineered for pitched & flat roof installations
- Easy, top-down installation
- Appropriate for rafter or deck installation
- Maintains existing roof system warranty
- 25-year warranty
- Full engineering reports & certifications
- Widely accepted by major financial partners

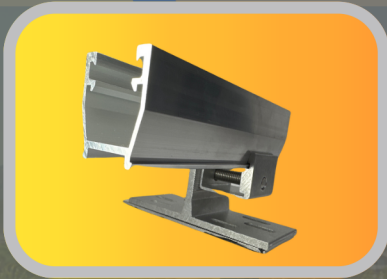


Mounted with SSM



Mounted with SSB1



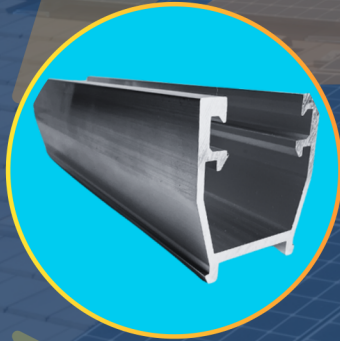


Open Channel Rail
Mill & Black

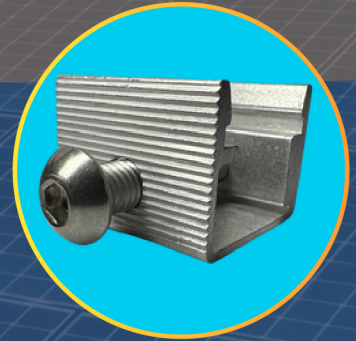
INTEGRITY RAIL

sunstack
a solar partner you can trust

Integrity
Rail



Rail
Clamp



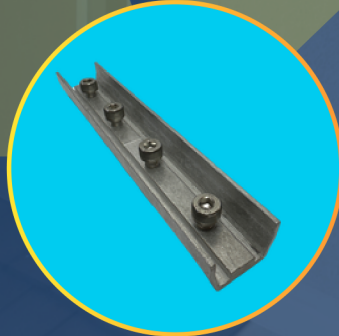
Universal
Clamp



End Cap



Rail Splice



MLPE Clip



- Patent pending
- PE reports available upon request
- Quick & easy installation
- Waterproof attachment for flat & pitched roofs

- Florida N.O.A. & HVHZ (certification pending)
- UL 1703, 2703 & 441
- UL C (pending)
- ASTM 1761
- ASTM 7147
- TAS 100(A) & TAS 202



1-877-GO SUNSTACK
contact@sunstackracking.com

2300 West Sahara Avenue, Suite 800
Las Vegas, Nevada 89102