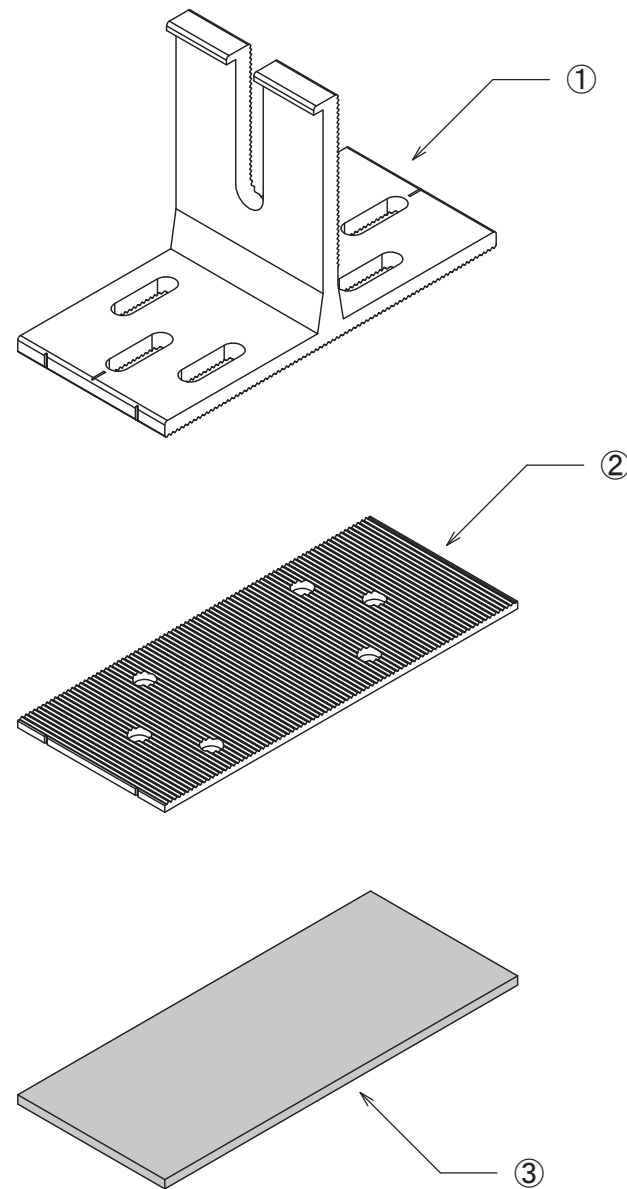
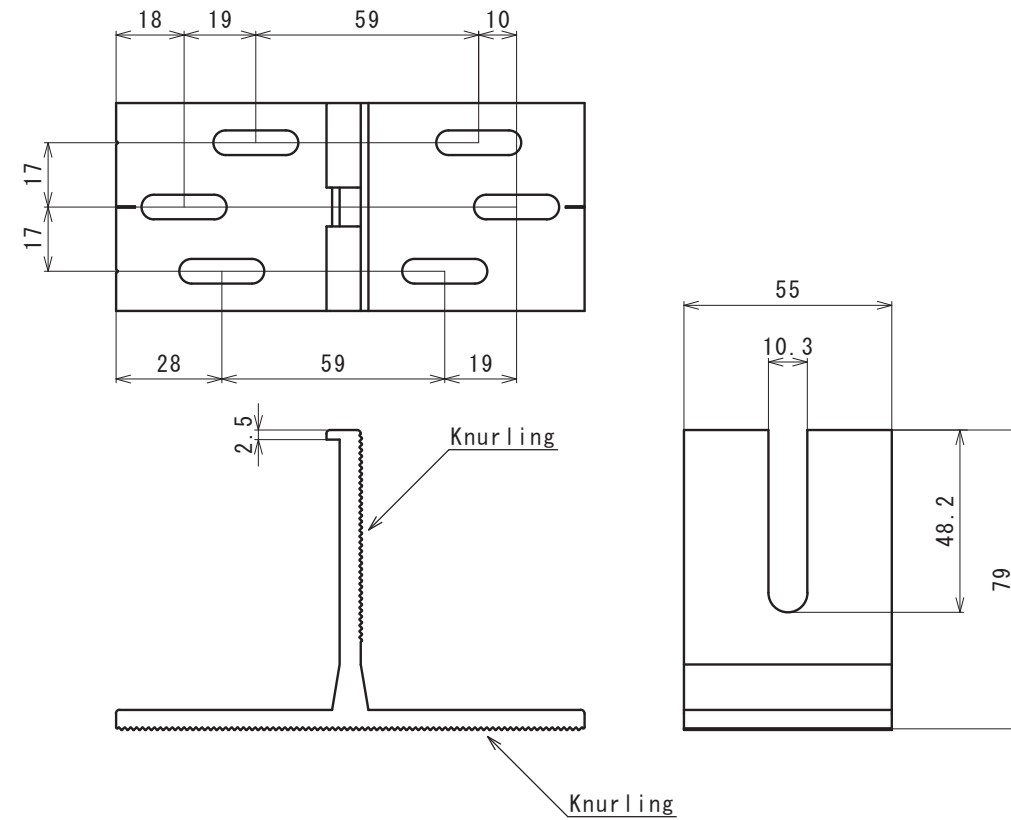


SSM (Sunstack Mount) MILL/BLACK



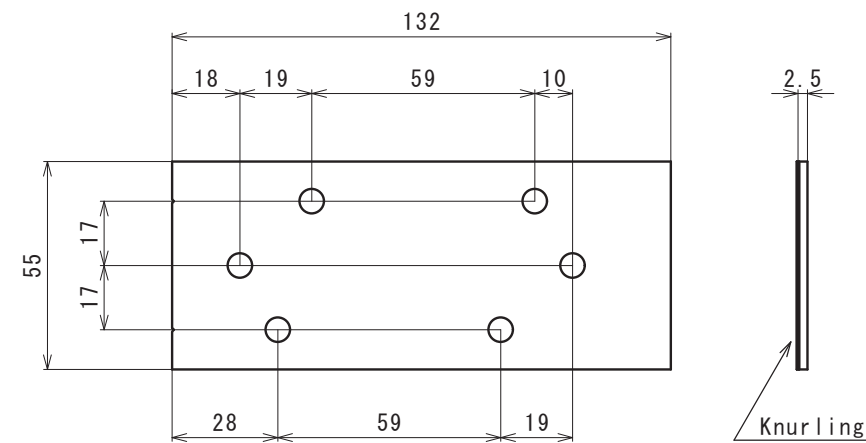
ITEM NO.	DESCRIPTION	QTY IN KIT
1	SUNSTACK MOUNT	20
2	SUNSTACK MOUNT RECEIVER	20
3	BUTYL TAPE 55x132	20

1) SUNSTACK MOUNT



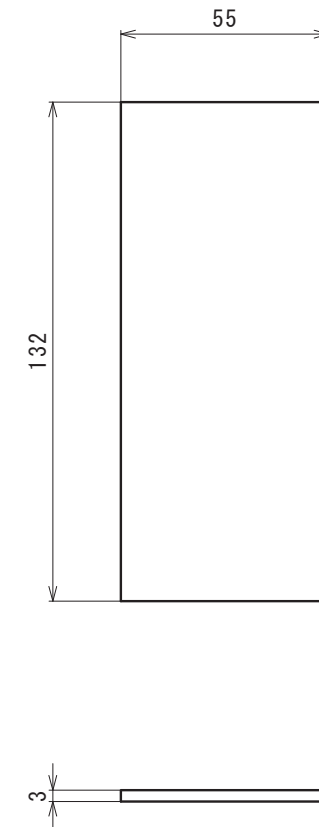
Material: 6000 Series Aluminum
Finish: MILL/Black

2) SUNSTACK MOUNT RECEIVER



Material: 6000 Series Aluminum
Finish: Mill

3) BUTYL TAPE 55x132



Material: Butyl
Finish: Black

APPROVAL	CHECK	DRAWING	DATE DRAWING	DWG NAME	SSM MILL/BLACK	Rev.
-	-	-	-	DWG NO.	SS01-M-00/SS01-M-B-00	-
Rev. NUMBER	DATE	NAME	REVISION REASON	■ This drawing is a business secret of INTEGRITY SOLAR MOUNTS And any act to copy, use or transfer to third party this drawing without prior approval constitutes illegal misconduct.		SHEET NO.
SCALE	NS	UNIT: mm		INTEGRITY SOLAR MOUNTS		SIZE
						1/1 A3