

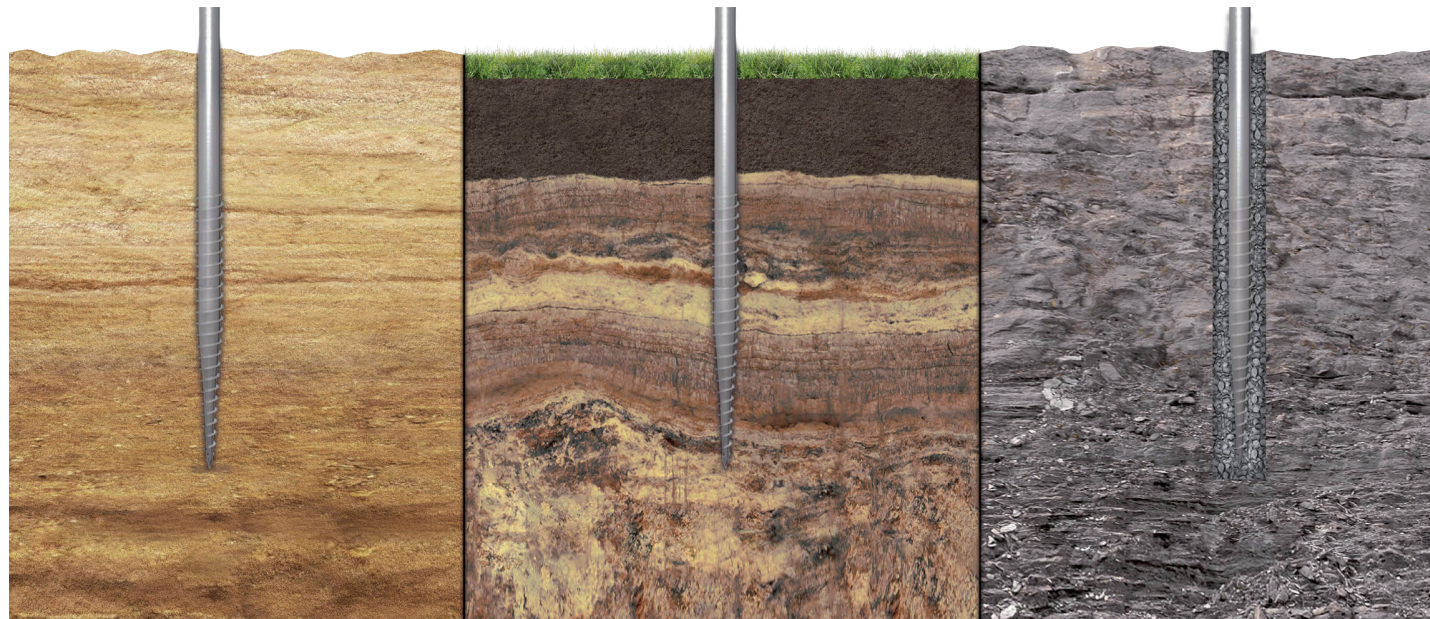
PRODUCT OVERVIEW
PROFESSIONAL GROUND SCREWS



THE GROUND SCREW

efficient · no concrete · durable

Installation into all load-bearing ground types up to soil class VII*



Hot-dip galvanized, specially produced tip shape and with through-welded screw-in spiral.



* for bedrock with drilling equipment

THE PRODUCT LINES

versatile · high-performance · unique

THE PERFECT SOLUTION FOR EVERY USE

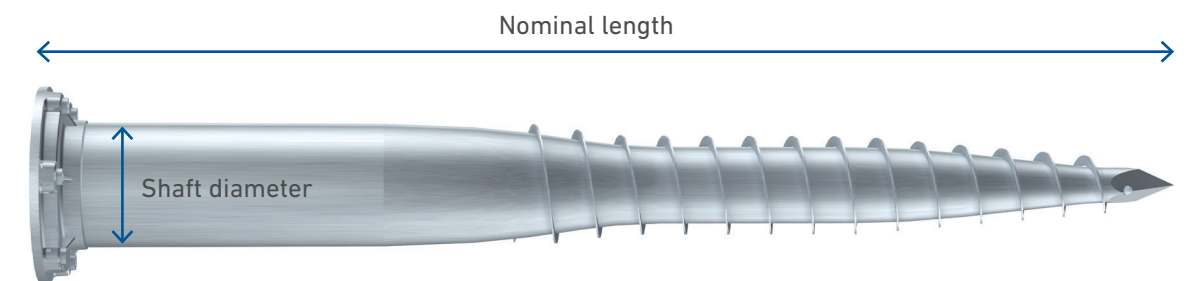
ANCILLIARY APPLICATIONS

privacy, hardware store

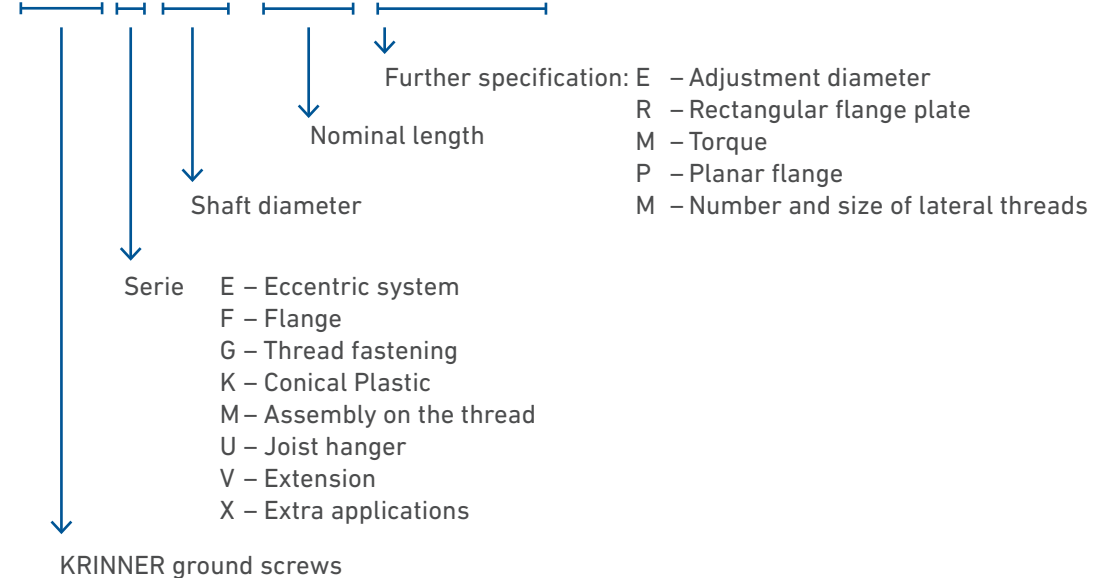
CONSTRUCTION PRODUCTS

professional applications

DESIGNATION SYSTEM FOR KRINNER GROUND SCREWS



e. g. KSF E 140x1300-E76-100



ANCILLIARY APPLICATIONS



E-SERIES

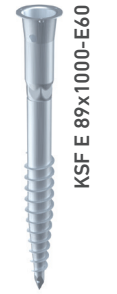
with eccentric disc for precise alignment



KSF E 140x1600-E76-100



KSF E 140x1300-E76-100



KSF E 89x1000-E60

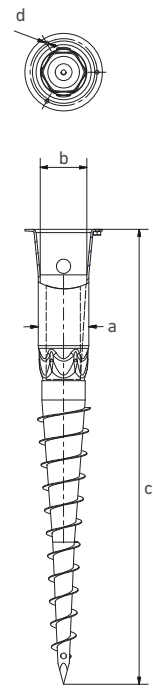
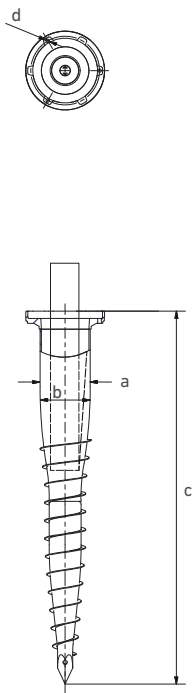


KSF E 89x800-E60



KSF E 89x550-E60

a	External-Ø (mm)	140	140	89	89	89
b	Internal-Ø (mm)	133	133	82	82	82
c	Length (mm)	1640	1310	1000	800	550
d	Thread	3xM12	3xM12	3xM8	3xM8	3xM8



F-SERIES

with a flange ring for flexible assembly



KSF F 140x1600-P



KSF F 140x1300-P



KSF F 76x1600-R



KSF F 76x1300-R

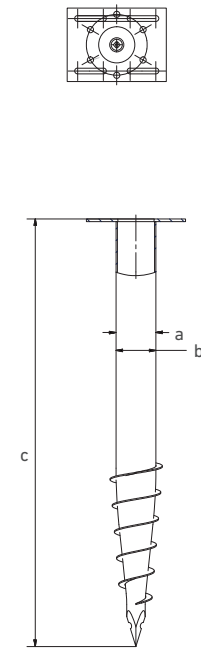
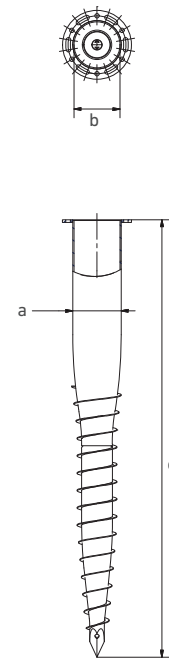


KSF F 76x1000-R





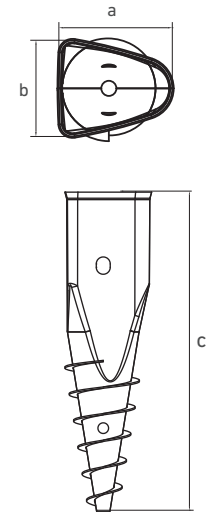
KSF F 76x800-R


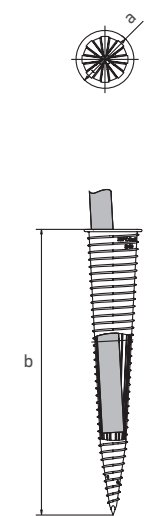
a	External-Ø (mm)	140	140	76	76	76	76
b	Internal-Ø (mm)	133	133	69	71	71	71
c	Length (mm)	1592	1262	1575	1275	1045	815








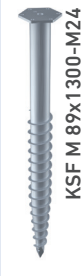






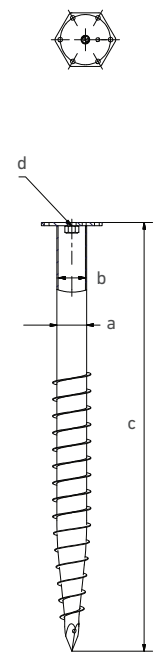
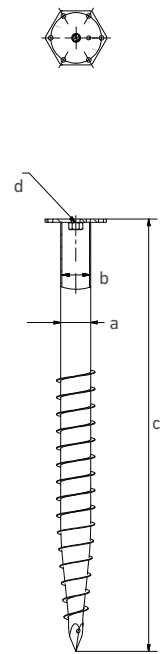
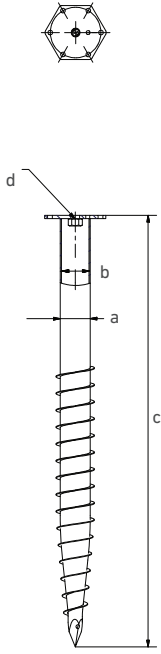
ANCILLIARY APPLICATIONS

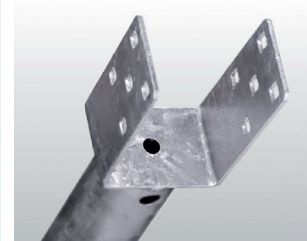






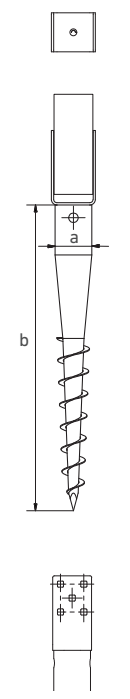
 <p>G-SERIES with thread fastening</p>	 <p>KSF G 114x1300-4xM16</p>	 <p>KSF G 114x1000-4xM16</p>	 <p>KSF G 89x1300-4xM12</p>	 <p>KSF G 89x1000-4xM12</p>	 <p>KSF G 89x800-4xM12</p>	 <p>KSF G 76x800-4xM12</p>	 <p>KSF G 66x650-3xM8</p>	 <p>KSF G 66x650-1xM8</p>	 <p>KSF G 66x550-1xM8</p>
	a External-Ø (mm)	114	114	89	89	89	76	66	66
b Internal-Ø (mm)	107	107	84	84	84	71	62	62	62
c Length (mm)	1300	990	1280	1080	830	810	650	650	550
d Thread	4xM16	4xM16	4xM12	4xM12	4xM12	4xM12	3xM8	1xM8	1xM8
									

 <p>X-SERIES Delineator foundation</p>	 <p>KSF X 130x480-LPS</p>	
	a External-Ø (mm)	108 x 127
b Internal-Ø (mm)	103 x 122	
c Length (mm)	480	

 <p>K-SERIES Made from plastic</p>	 <p>KSF K 60x800</p>	 <p>KSF K 42x650</p>	 <p>KSF K 34x550</p>	
	a Außen-Ø (mm)	163	136	98
b Länge (mm)	800	650	550	

ANCILLIARY APPLICATIONS

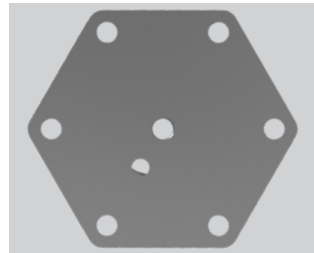
												
<p>M-SERIES with central internal threads</p>												
												
a	External-Ø (mm)	114	114	89	89	89	76	76	76	76	76	76
b	Internal-Ø (mm)	107	107	82	82	82	69	69	69	71	71	71
c	Length (mm)	2075	1575	2080	1580	1280	2078	1578	1278	1275	1045	815
d	Thread	M24	M24	M24	M24	M24	M16	M16	M16	M12	M12	M12
												

							
<p>U-SERIES for simple beam assembly</p>							
							
a	External-Ø (mm)	66	66	66	66	66	66
b	Length (mm)	865	730	865	730	730	550
							

ANCILLIARY APPLICATIONS

CHOSEN FOR YOUR PROJECT

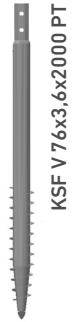
efficient · no-concrete · durable



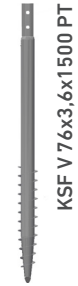
V76

with a high load capacity option

KSF V 76x3,6xM16



KSF V 76x3,6x2000 PT



KSF V 76x3,6x1500 PT



KSF V 76x3,6x1500 EH



KSF V 76x3,6x1500 ET

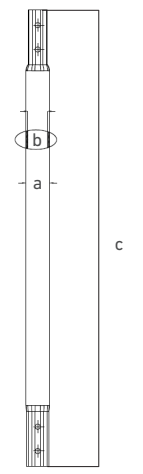
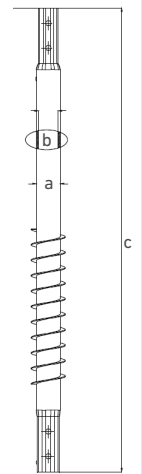
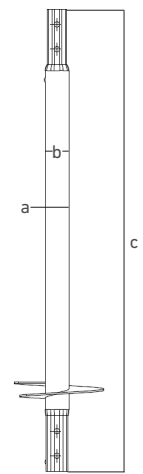
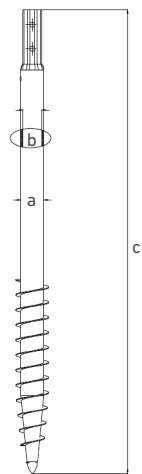


KSF V 76x3,6x1500 E



KSF V 76x3,6x860 E

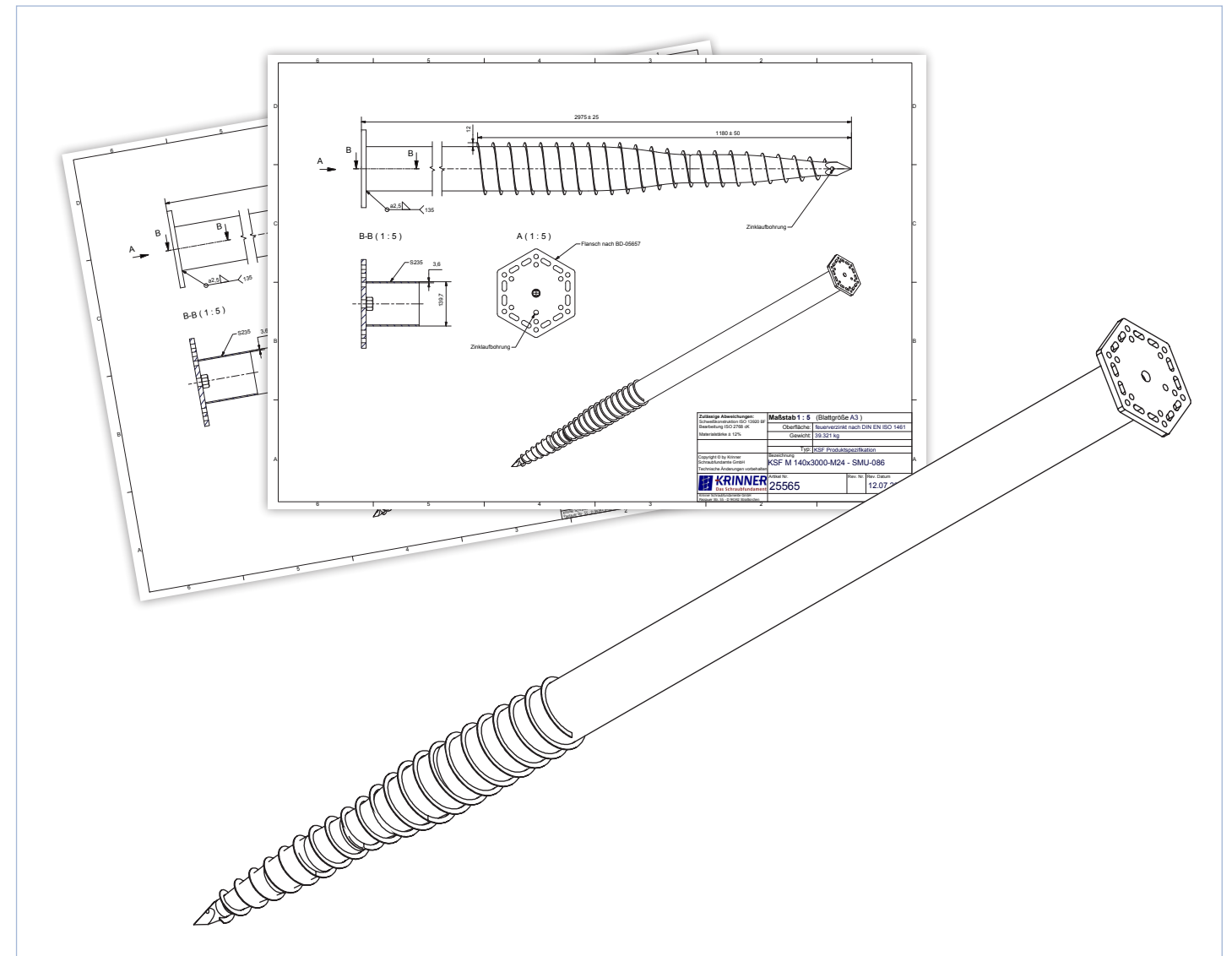
a	External-Ø (mm)	76	76	76	76	76	76	76
b	Internal-Ø (mm)	69	69	69	69	69	69	69
c	Length (mm)	300	2000	1500	1500	1500	1500	860
d	Thread	M16	-	-	-	-	-	-



INDIVIDUAL SOLUTIONS FOR YOUR PROJECT.

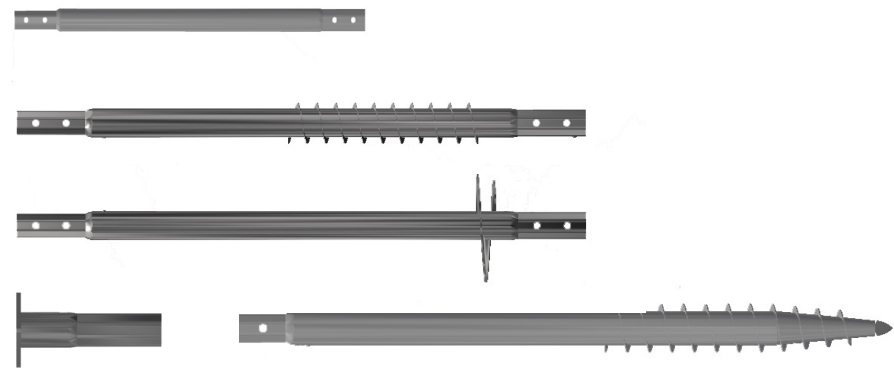
If you haven't yet found the right foundation for your project among our numerous products, we can also produce a special make up (SMU) according to a previous feasibility test. This foundation is

- » Drawn up by you - produced by us
- » Chosen with your project in mind
- » Calculated on a product-specific basis



THE KRINNER V RANGE

efficient · no-concrete · durable

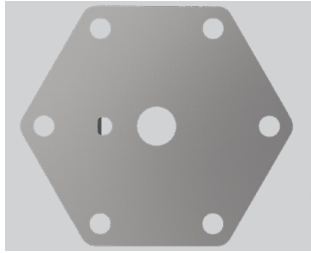







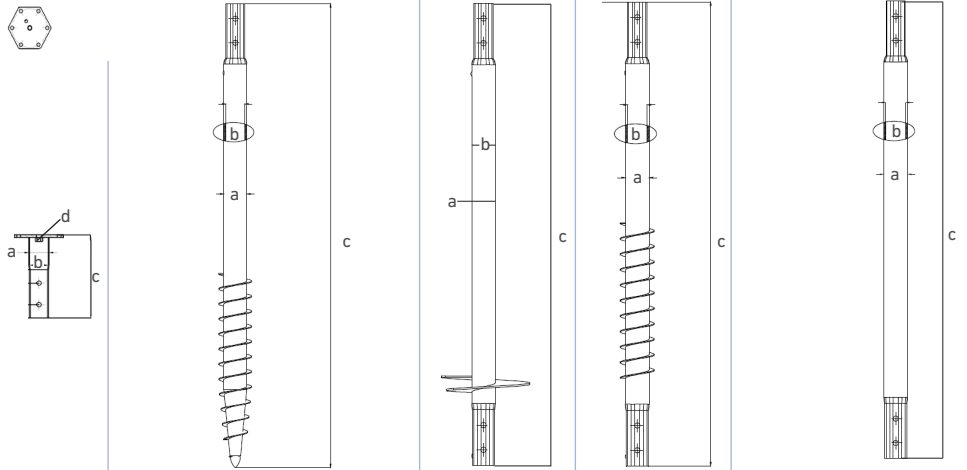


WITH A HIGH LOADING CAPACITY OPTION

- » Structural analysis of the internal load capacity
- » Comprehensive process description when handling the Krinner ground screws
- » Coordinated verification processes for the lifespan based on professional corrosion expertise

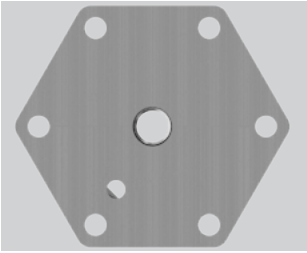
CONSTRUCTION

Taking into account the applicable regional building regulations



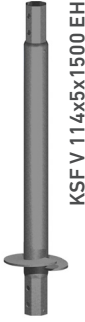

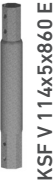
	 KSF V 89x5xM24	 KSF V 89x5x2000 PT	 KSF V 89x5x1500 PT	 KSF V 89x5x1500 EH	 KSF V 89x5x1500 ET	 KSF V 89x5x1500 E	 KSF V 89x5x860 E	
								<p>V89 with a high load capacity option</p>
a	External-Ø (mm)	89	89	89	89	89	89	89
b	Internal-Ø (mm)	79	79	79	79	79	79	79
c	Length (mm)	300	2000	1500	1500	1500	1500	860
d	Thread	M24	-	-	-	-	-	-
								

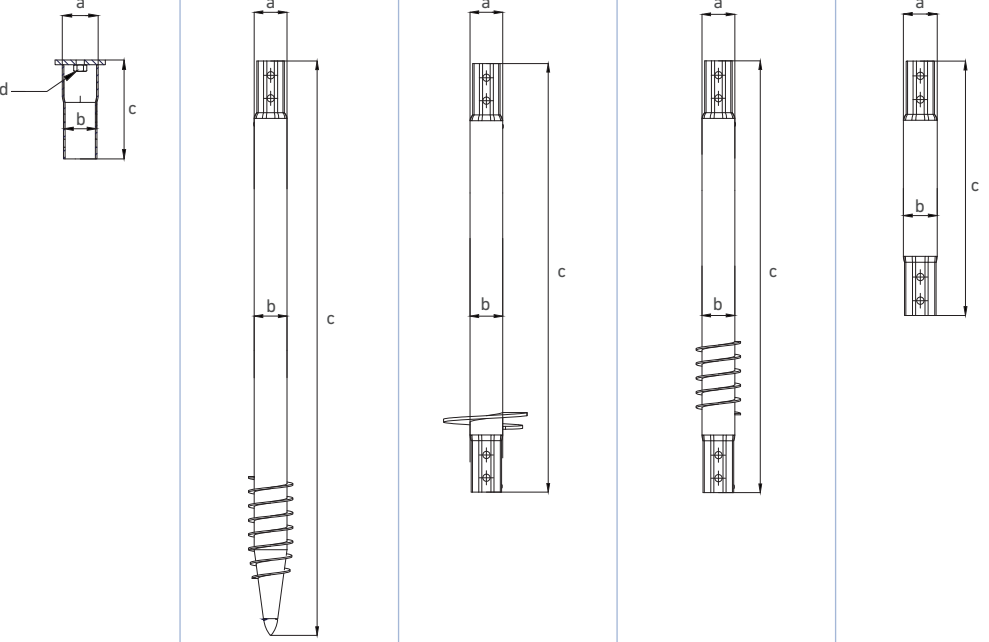
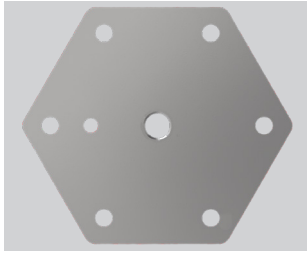
CONSTRUCTION PRODUCTS

Taking into account the applicable regional building regulations








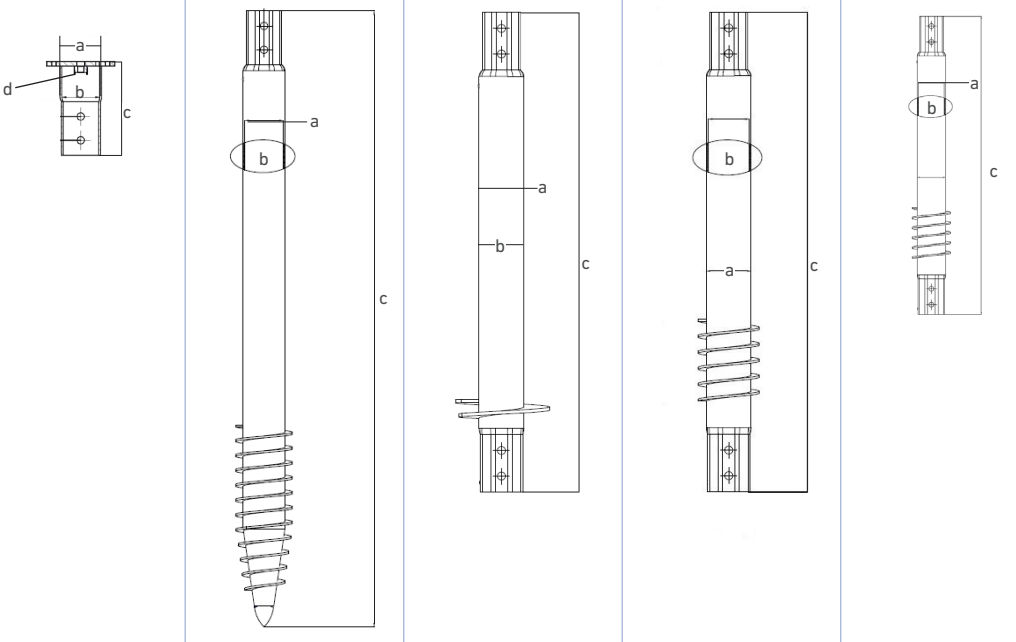
V114
with a high load capacity option

	 KSF V 114x5 M24	 KSF V 114x5x2000 PT	 KSF V 114x5x1500 EH	 KSF V 114x5x1500 ET	 KSF V 114x5x860 E	
a	External-Ø (mm)	114	114	114	114	114
b	Internal-Ø (mm)	104	104	104	104	104
c	Length (mm)	300	2000	1500	1500	860
d	Thread	M24	-	-	-	-

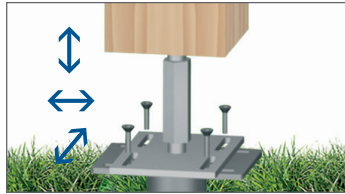
V140
with a high load capacity option

	 KSF V 140x6,3 M24	 KSF V 140x6,3x2000 PT	 KSF V 140x6,3x1500 EH	 KSF V 140x6,3x1500 ET	 KSF V 140x6,3x860 E	
a	External-Ø (mm)	140	140	140	140	140
b	Internal-Ø (mm)	127	127	127	127	127
c	Length (mm)	300	2000	1500	1500	860
d	Thread	M24	-	-	-	-

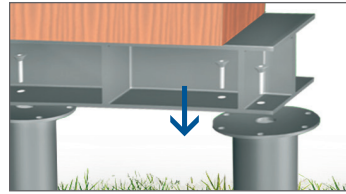


FASTENING OPTIONS

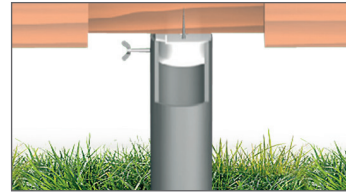
versatile · future-proof · productive



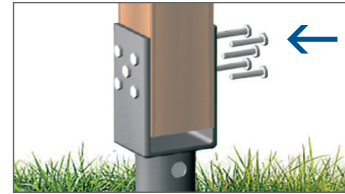
POST ANCHORS:
Precise connection thanks to variable axes and height adjustment.



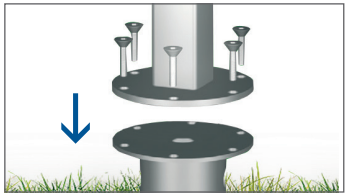
TRAVERSE SYSTEM:
Modular when used with flange plates, matched to the given loads in each case.



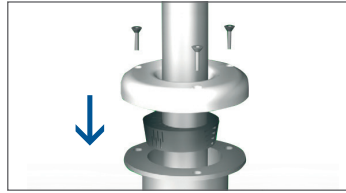
FOUNDATION COVER:
Precise adaptation of wood constructions.



U-SHAPED BRACKET:
Simple fastening with axial and height adjustment for lying beams or standing posts.



FLANGE PLATES:
Modular when used with flange plates, matched to the given loads in each case.



INNOVATIVE ECCENTER:
Patented system for fine adjustment and vertical alignment for a resonance-free assembly.



















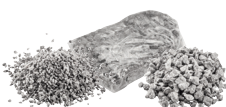


THREADED SCREWS:
Three or four threaded screws for a fast and simple assembly.



CONICAL BODY / GRANULATE:
Special plastic foundation in a conical form for the greatest stability and lifespan for fence posts and signposts.

ACCESSORIES

The right aids and additions

				
Reducer Reducer for eccenter set E 76 to 60 mm or 70 mm	Eccenter set Eccenter set for various tube diameters; contains: clamp ring (screw ring for permanent fastening);eccenter; hexagonal screws (for fastening the clamp ring)	Eccenter Eccenter for E-series ground screws (E 60) for aligning and fastening	Level Spirit level to set the eccenter E 60	Clamp ring Clamp ring for E-series ground screws (E 60)
E-Series	E-Series	E-Series	E-Series	E-Series
				
Clamp screw Clamp screw for ground screws	Reduction sleeve set	Foundation cover external Turning insert suitable for KSF 66	Pivot mandrel for wood Triangle spirit level to exactly align tubes/posts in ground screws	Connection screw Interior cover for the ground screw G 66x550-1xM8 and G 66x650-1xM8 incl. Allen key
E-Series	F-Series	G-Series	universal	G-Series
				
Pivot cover Pivot cover for cross struts in wire mesh fences for use with KSF G 66x550-1xM8 and KSF G 66x650-1xM8	Reduction sleeve set 5-part reduction sleeve set for ground screw KSF G 66x550-1xM8, KSF G 66x650-1xM8; reduction to 55.5 mm/ 50.0 mm/43.0 mm/ 38.5 mm/34.0 mm	Foundation cover external Foundation cover suitable for 60 mm tubes	Pivot mandrel for wood Pivot mandrel for fastening wooden beams	Connection screw 4-part connection screw set
G-Series	G-Series	universal	universal	V-Series
				
Cover sleeve Cover sleeve for delineators and street signs	Special granulate Special granulate for fast and permanent tube fastening	Cover Cover for ground screw when not being used	Screwing bar Screwing aid for manual screwing of ground screws	
universal X-Series	universal G-Series K-Series	E-Series F-Series G-Series	universal G-Series U-Series	

SCREWING MACHINES

individual · flexible · high-performance



KRE 17

- » 230 volts
- » Approx. 3000 Nm torque
- » Compatible with Krinner screwing attachments



KRE 20

- » 230 volts
- » Approx. 3500 Nm torque
- » Compatible with Krinner screwing attachments



KRB 60

- » Required basic supply vehicle excavator weighing over 5 tons
- » Approx. 8000 Nm torque
- » Hydraulic screwing attachment
- » Automatic x-axis alignment



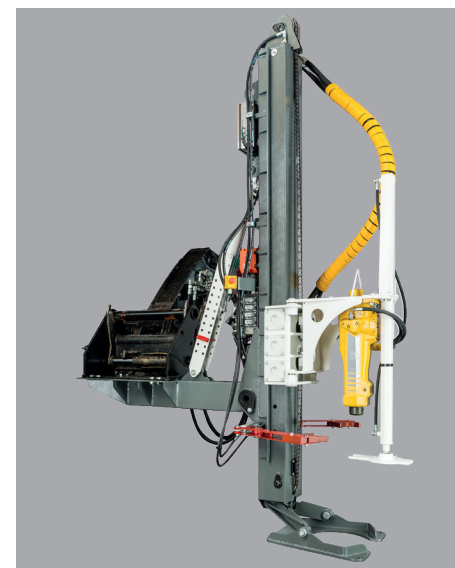
KRB 250

- » Required basic supply vehicle excavator weighing over 8 tons
- » Approx. 20000 Nm torque
- » Hydraulic screwing attachment
- » Automatic x-axis alignment



KRD 30

- » Approx. 8000 Nm torque
- » Fast changing system at the turning head
- » New torque kit
- » Low measurements for optimal accessibility



KRL

- » Torque up to approx. 15.000 Nm
- » Fast changing system
- » For projects with large foundations



Krinner Schraubfundamente GmbH | Passauer Straße 55 | D-94342 Straßkirchen
Phone: +49 9424 9401-80 | Fax: +49 9424 9401-81 | E-Mail: service@krinner.com | www.krinner.com

The technical contents and specifications in this publication correspond to the latest state of technology and thus completely replace the technical contents and specifications in earlier publications from Krinner Schraubfundamente GmbH.