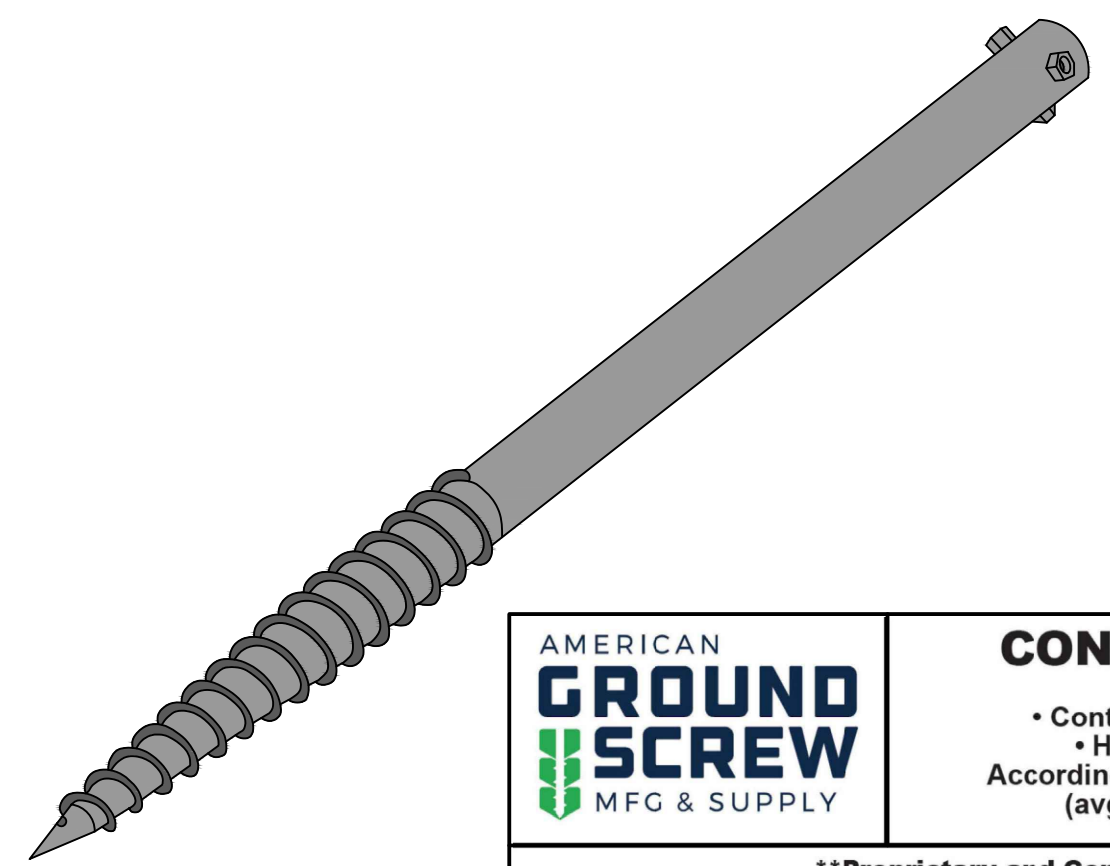


- Construction**
- Q235B Steel
 - Continuous welded helix
 - Hot-dip galvanized according to ASTM123 75 micron



	<p>CONSTRUCTION</p> <ul style="list-style-type: none"> • Q235B Steel • Continuous Welded Helix • Hot-dip Galvanized <p>According to ASTM123 75 micron (avg. min. 0.0762 mm)</p>
--	---

****Proprietary and Confidential****

THIS DRAWING AND ALL INFORMATION THERE IN IS PROPERTY OF AMERICAN GROUND SCREW AND IS CONFIDENTIAL AND MUST NOT BE MADE PUBLIC OR COPIED UNLESS AUTHORIZED BY AMERICAN GROUND SCREW AND IS SUBJECT TO RETURN UPON REQUEST.

512 Tuttle St., Des Moines IA, 50309 • (833) 359-9475	Part Number: 102x1550x3.75x880	Rev:
---	-----------------------------------	------