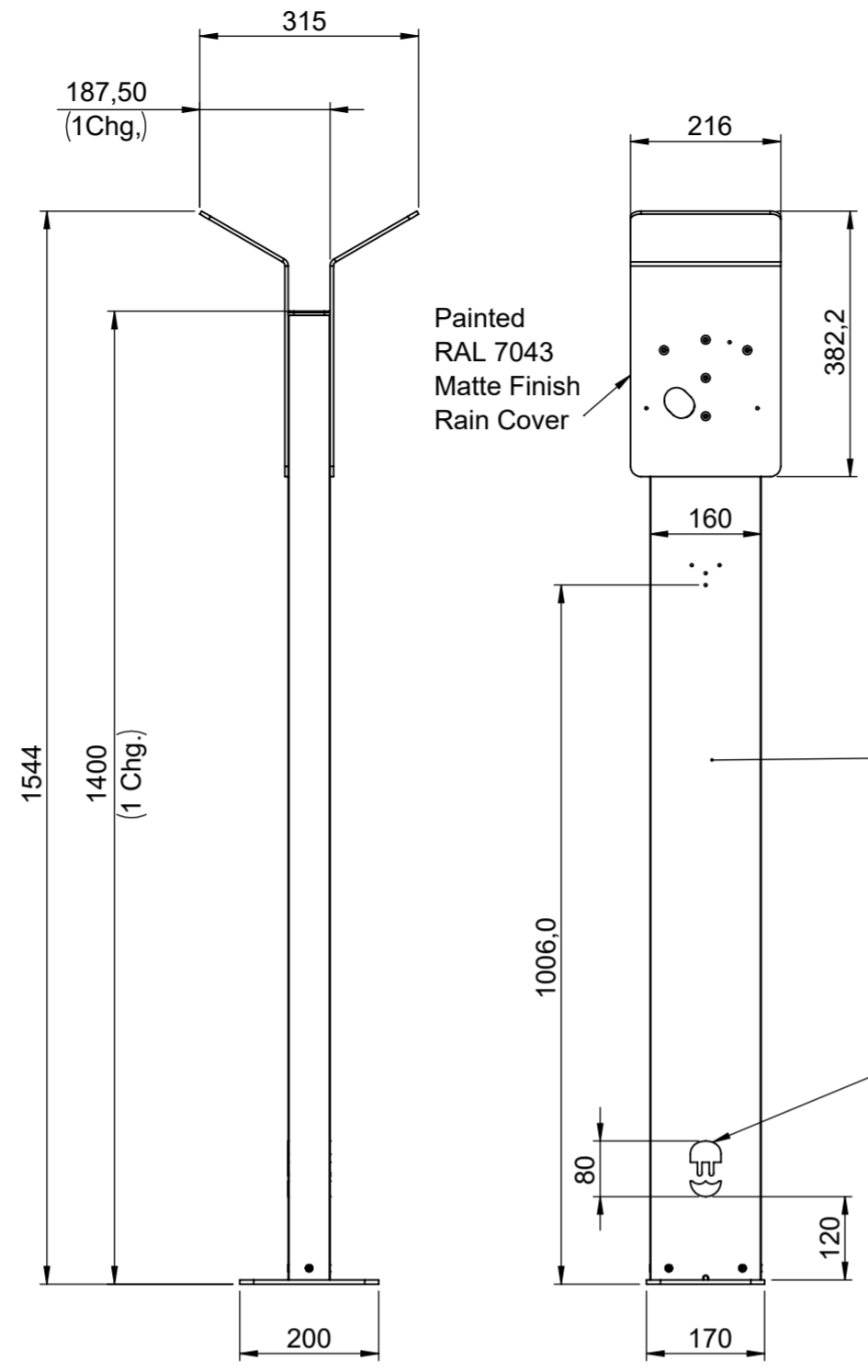
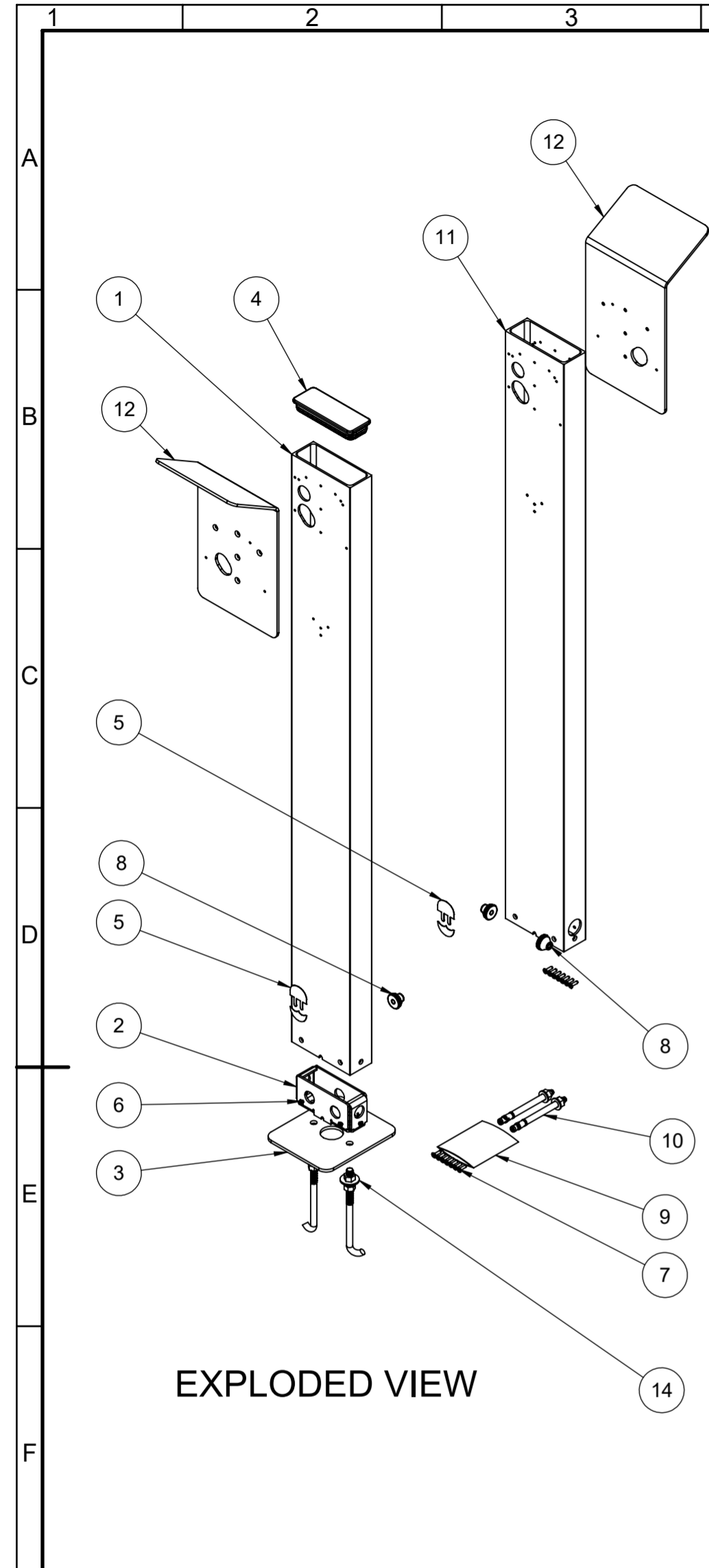
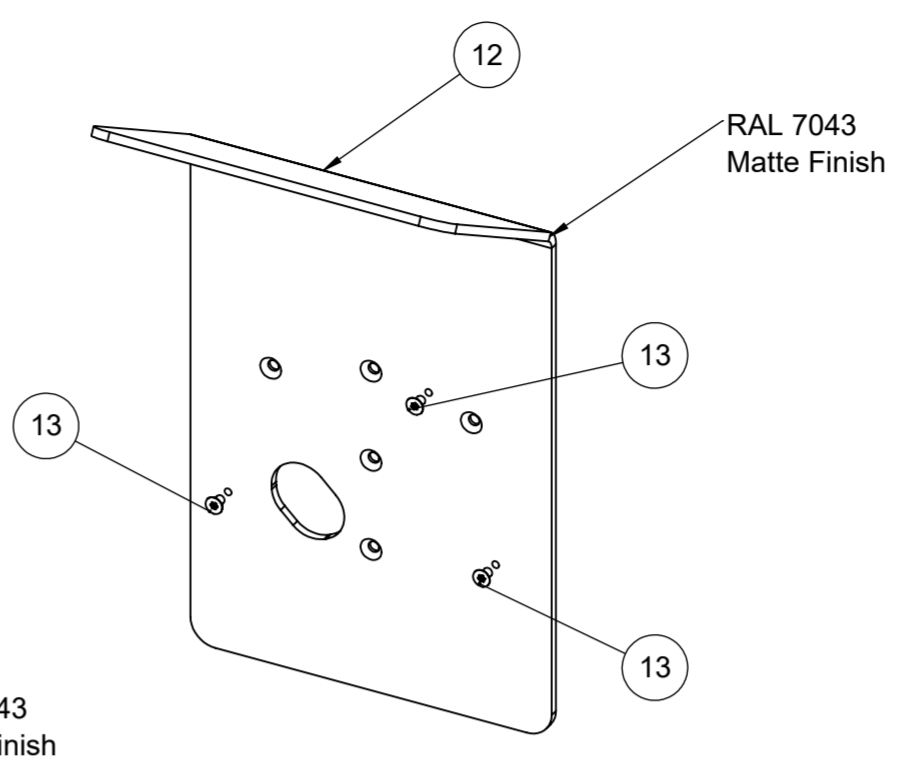


REVISIONS				
ZONE	REV.	DESCRIPTION	DATE	APPROVED
	A	EDITION	21/07/2021	



MAIN DIMENSIONS

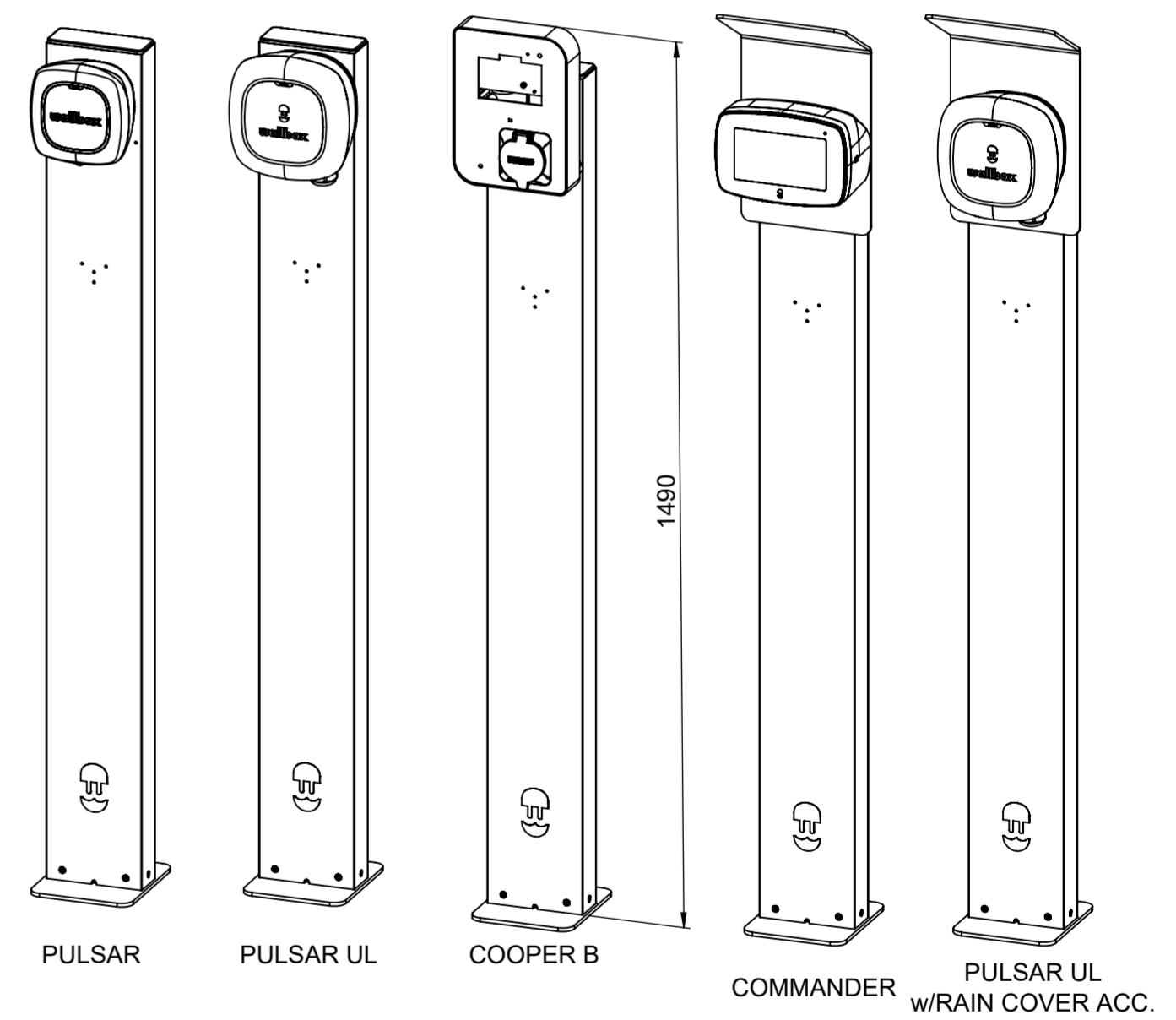


Painted RAL 7043 Matte Finish Rain Cover

Painted RAL 7043 Matte Finish Colum

PLATE ONLY FOR COMMANDER INSTALATION

- ALTERNATIVE USE W/O SCREWS:
RAIN COVER FOR PULSAR UL



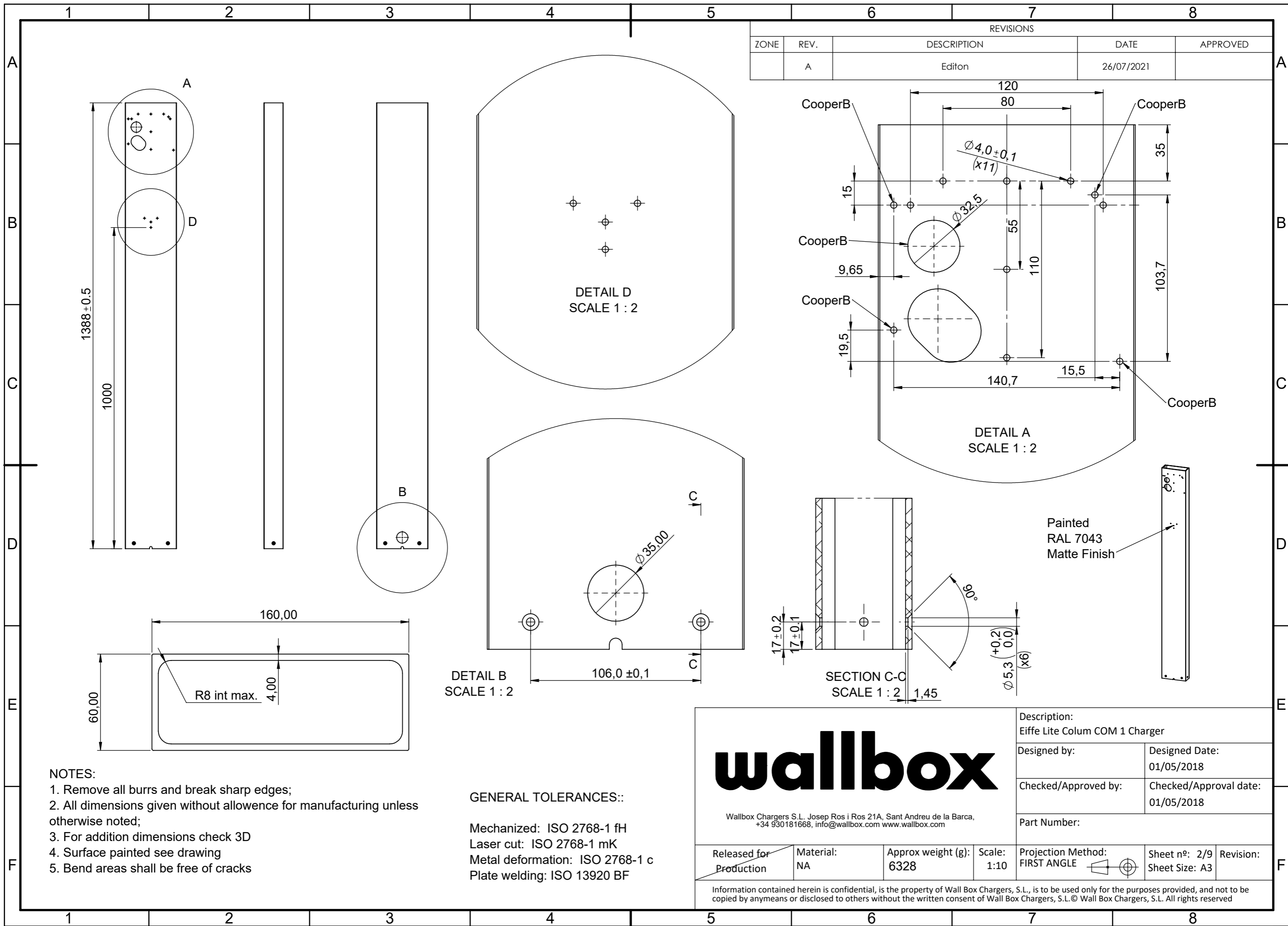
EXPLODED VIEW

ITEM NO.	PART NUMBER	Material	Weight	Ref.xxxxxxx ASSY.PEDESTAL 1Chg. Version	Ref.xxxxxxx ASSY.PEDESTAL 2Chg Version	Ref.xxxxxxx Plate Commander	Ref.xxxxxxx Plate PulsarUL accessory	Ref.xxxxxxx Mounting Bar accessory
1	ES_AGBAR_Pedestal_Eiffel_Lite_SERIE_v2_ALU BAR COMMON 1 CHARGER	6063-T5	6328	1	-	-	-	-
2	ES_AGBAR_Pedestal_Eiffel_Lite Base_inox_V3	AISI 304	1003	1	1	-	-	-
3	ES_AGBAR_Pedestal_Eiffel_Lite Mounting_Plate_Floor Inox	AISI 304	1788	1	1	-	-	-
4	00300410098G Grey Rectangular Tube Insert - LF (ISC 160x60)	PE Low Density	47	1	1	-	-	-
5	000000 Eiffel Lite Pedestal Adhesive_Wallbox ALU	Polyester Resin	2	2	2	-	-	-
6	DIN965 M5 x12 A2 Stainless Steel Torx Pin Countersunk Flat Head	Stainless Steel		6	6	-	-	-
7	DIN 7982 F 4.8x19 A2 No.10 Stainless Steel TX25 Pin Countersunk Flat Head	Stainless Steel		7	14	-	-	-
8	TRS 1458296 - RUTASEAL EPDM Metric RAL9005 M25 (11 - 17)	EPDM	6.88	1	2	-	-	-
9	ES_AGBAR_Pedestal_Eiffel_Lite Screw Bag	PE LD		1	1	-	-	-
10	Stud Anchor M12X145 Galvanized - Alt, Safety stud anchor 1_2IN x 5-1_2IN HILTI US	Galvanized Steel	600	2	2	-	-	-
11	ES_AGBAR_Pedestal_Eiffel_Lite_SERIE_v2_ALU BAR COMMON 2 CHARGER	6063-T5	6328	-	1	-	-	-
12	ES_AGBAR_Pedestal_Eiffel_Lite Rain Cover_Commander+Pulsar UL	5454-H111	1283	-	-	1	1	-
13	DIN965 M5 x8 A2 Stainless Steel TX25 Pin Countersunk Flat Head	Stainless Steel		-	-	3	-	-
14	Mounting bar for enclosure	NA	237	-	-	-	-	2

Wallbox Chargers S.L. Josep Ros i Ros 21A, Sant Andreu de la Barca, +34 930181668, info@wallbox.com www.wallbox.com

Description: 712852 Eiffel Lite Pedestal ASSY	
Designed by: Eduardo Sarmiento Rey	Designed Date: 01/05/2018
Checked/Approved by: Victor de Pablo	Checked/Approval date: 01/05/2018
Part Number: SEE TABLE	
Released for Production	Material: NA
Approx weight (g): 9561.98 g	Scale: 1:10
Projection Method: FIRST ANGLE	Sheet nº: 1/9 Sheet Size: A2

Information contained herein is confidential, is the property of Wall Box Chargers, S.L., is to be used only for the purposes provided, and not to be copied by any means or disclosed to others without the written consent of Wall Box Chargers, S.L. © Wall Box Chargers, S.L. All rights reserved



REVISIONS				
ZONE	REV.	DESCRIPTION	DATE	APPROVED
	A	Editon	26/07/2021	

- NOTES:**
1. Remove all burrs and break sharp edges;
 2. All dimensions given without allowance for manufacturing unless otherwise noted;
 3. For addition dimensions check 3D
 4. Surface painted see drawing
 5. Bend areas shall be free of cracks

GENERAL TOLERANCES::

Mechanized: ISO 2768-1 fH
 Laser cut: ISO 2768-1 mK
 Metal deformation: ISO 2768-1 c
 Plate welding: ISO 13920 BF

wallbox

Wallbox Chargers S.L. Josep Ros i Ros 21A, Sant Andreu de la Barca,
 +34 930181668, info@wallbox.com www.wallbox.com

Description:
Eiffe Lite Colum COM 1 Charger

Designed by: _____ Designed Date:
01/05/2018

Checked/Approved by: _____ Checked/Approval date:
01/05/2018

Part Number: _____

Released for Production	Material: NA	Approx weight (g): 6328	Scale: 1:10	Projection Method: FIRST ANGLE	Sheet nº: 2/9 Sheet Size: A3	Revision:
-------------------------	--------------	-------------------------	-------------	--------------------------------	---------------------------------	-----------

Information contained herein is confidential, is the property of Wall Box Chargers, S.L., is to be used only for the purposes provided, and not to be copied by any means or disclosed to others without the written consent of Wall Box Chargers, S.L. © Wall Box Chargers, S.L. All rights reserved