

ecobee for Pro

Junction Box Adapter Plate

24-Pack (HVAC-ADAPTPLATE-02)

Install ecobee thermostats to any junction box.

What's in the box

Junction Box Adapter Plate x24
Installation guide x24

Plate Materials

Low carbon steel
Nickel plating (no exposed steel)

ecobee Thermostat Compatibility

ecobee Smart Thermostat Premium, ecobee Smart Thermostat Enhanced, ecobee3 lite

Junction Box Compatibility

Any single gang junction box:

- Horizontal device boxes
- Vertical device boxes
- Square device boxes

Additional Requirements

- Thermostat screws (#6x1") are included with every ecobee thermostat
- Junction box screws are not included. Installation requires #6-32 flat head screws, at least 1/2" long
- Using an ecobee trim plate is recommended (included with every ecobee thermostat, except for ecobee Builder Packs)

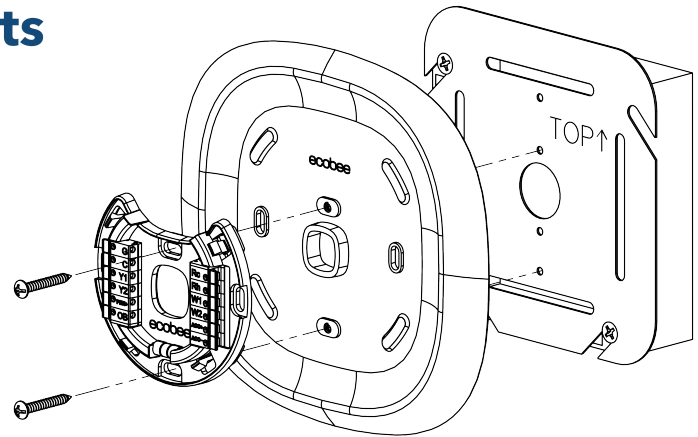


Plate Dimensions

Length: 120 mm (4.72 in)
Width: 120 mm (4.72 in)
Depth: 0.76 mm (0.03 in)

General Tolerances

X: ±0.50 Angles (Mach): ±1°
X.X: ±0.25 Angles (Bend): ±3°
X.XX: ±0.10

- Junction box screws are not included. Installation requires #6-32 flat head screws, at least 1/2" long
- Using an ecobee trim plate is recommended (included with every ecobee thermostat, except for ecobee Builder Packs)
- For horizontal and vertical junction boxes, installation requires #6-32 flat head screws (1/2" long).
- For square junction boxes, installation requires #8-32 flat head screws (1/2" long).