

Generac Sure Start Soft Starter 16-32 Amp Part# 10000003756 or SS1B16-32SN (230V, 60/50Hz, 16-32 FLA)

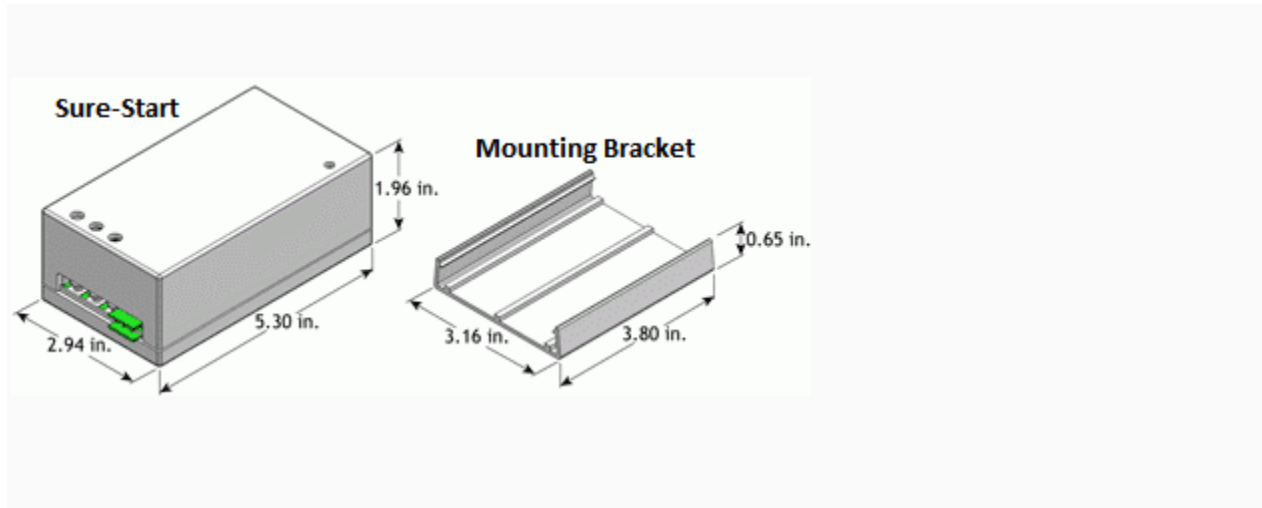
Single Phase Soft Starters

This product has been developed specifically to soft start large single phase compressors and motors. It provides a dramatic reduction in the starting current but still provides full start torque. It will automatically adjust itself to cover the range of 1.75 to 7 hp. It is fully self-contained in a conveniently small, double insulated and flame retardant enclosure. Contact us if you're interested in purchasing our products or need more information.

Sure-Start soft starters are ETL, CE and RoHS compliant.

Two Versions Available

- Primary - includes the function of the contactor
- Secondary - used in conjunction with an existing contactor



Features & Benefits

- Rated for motors between 1.75 to 7 horse power electrical

- Reduces locked rotor amperage (LRA)/inrush current up to 70% at start-up
- Eliminates light flicker
- Reduces start-up noise
- Avoids torque stress fracture on pipes
- Automatic optimization of motor start-up current
- Reduced stress and heating of compressor/motor therefore extending the life
- Allows systems to meet certain utility requirements
- Easy installation with supplied wiring (special wiring options available)

Motor Protection Functions

- Protects the compressor/motor from stalling at low voltages
- Delay function limits number of motor starts per hour
- Thyristor protected for long life (primary model only)
- No extra motor contactor needed (primary model only)

- Provides motor reversal protection during short power outages
- Internal delay timers prevents rapid cycling in fault conditions
- Provides brownout protectionSelf-testing diagnostics (primary model only)

Models

- SS0B12-20SN (115V, 60/50Hz, 12-20 FLA)
- SS1B08-16SN (230V, 60/50Hz, 08-16 FLA)
- SS1B16-32SN (230V, 60/50Hz, 16-32 FLA)

Sure Start products also reduce blinking lights and dimming lights when large AC loads start up.