

### Eliminate Ground Lugs and Copper Wire!

Simply connect your ground wire to the integrated lug.

### Quality Control

Pre-installed form for site capture of array details for future reference.

### Full Metal Bracket

Thick aluminum bracket secures BondBox to the rail, for an enduring connection that won't fail.

Integrated Ground Lug

No-slip Feet

### Better By Design

No-slip feet for steep roof traction.  
Stackable for easy transport.  
Slots for WAGO 221 connectors.  
Weep holes for drainage.

### Lay-in Bus Bar

Additional openings for grounding multiple arrays. Connections can be mid-wire.

## The Secret Agent of System Grounding

BondBox takes the junction box to the next level, with an integrated ground lug, rigid attachment and enhanced features. **Fast, flexible, efficient.**



#### Integrated Ground Lug

Eliminate the need for copper wire and ground lugs



#### Quality Control

Pre-installed form for site capture of array details for future reference



#### Code Compliant

UL2703 Certified  
UL1741 Certified  
NEMA 3R Enclosure



#### 25-Year Warranty

Manufactured with advanced materials and coatings to outlast the roof itself

**1**  
Install Pegasus SkipRail System.



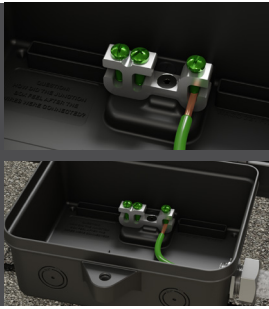
**2**  
Click BondBox into Pegasus Rail.  
  
Torque bolt to 150-180in-lbs.



**3**  
Drill through one of the pre-marked locations for conduit.  
  
Install conduit.



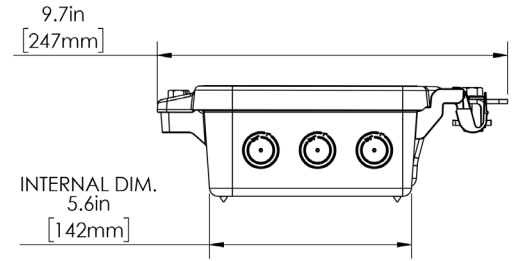
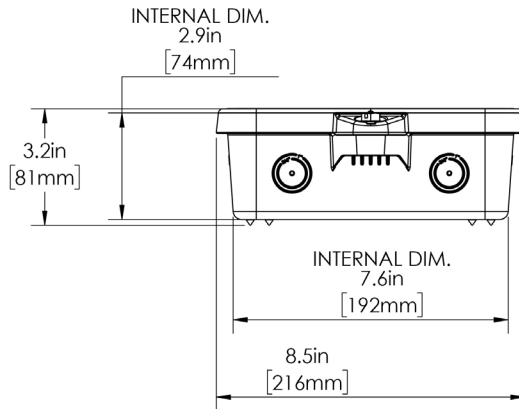
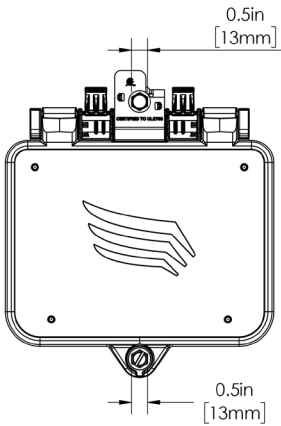
**4**  
Insert ground wire into the grounding bus.  
  
Torque screw to 20-25 in-lbs.



**5**  
Finish wiring arrays.  
  
Write installation details on pre-installed site capture label.



**6**  
Close & fasten BondBox.



Specifications	BONDBOX
SKU	PSR-BBOX
Grounding	Integrated Ground Lug for up to 3 wires
Fits Ground Wire Size	6 AWG to 10 AWG
Enclosure Rating	NEMA 3R
Enclosure Volume	115 Cubic Inches (1900 Cubic Centimeters)
Maximum Voltage	999 VDC / 240 VAC
Maximum Current	99 AMPS
Certifications	UL2703 and UL1741
Compatible Rail	All Pegasus Rails
Kit Quantity	1



SCAN FOR VIDEO



SCAN FOR FREE TRIAL

See [www.PS-IP.com](http://www.PS-IP.com) for intellectual property details. All rights reserved, ©2024 Pegasus Solar Inc.