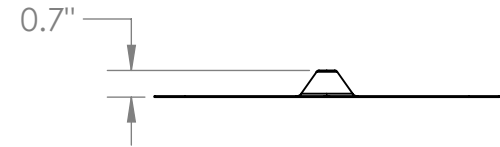


SCALE 1:2



SCALE 1:5

LAG SCREW, 5/16 X 3" 18-8 SS

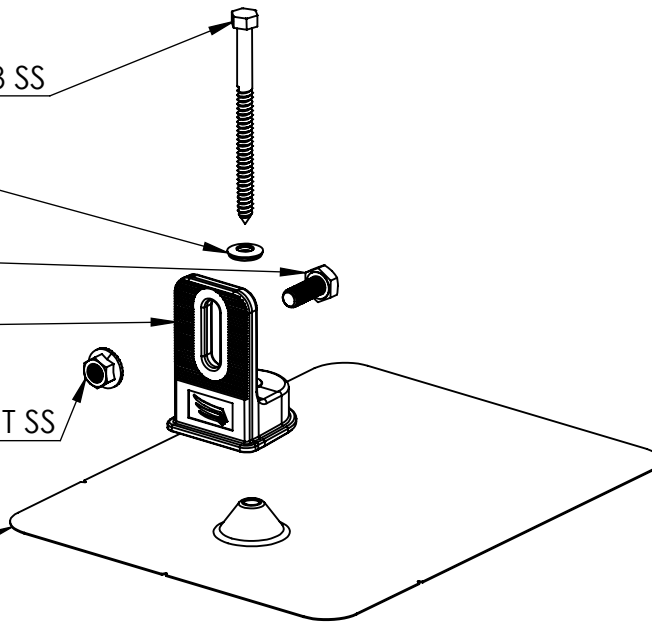
BONDED EPDM WASHER

M10 HEX BOLT

L-FOOT

M10 SERRATED FLANGE NUT SS

COMP FLASHING



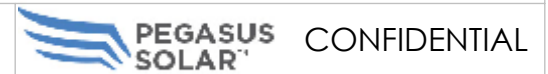
SCALE 1:4

PROPRIETARY AND CONFIDENTIAL

THE INFORMATION CONTAINED IN THIS DRAWING IS THE SOLE PROPERTY OF PEGASUS SOLAR INC. ANY REPRODUCTION IN PART OR AS A WHOLE WITHOUT THE WRITTEN PERMISSION OF PEGASUS SOLAR INC IS PROHIBITED.

Comments:

L Foot Mass = 0.3 lbs
 Lag / Captured Washer Mass = 0.1 lbs
 M10 Nut/Bolt Mass = 0.1 lbs
 Flashing = 0.7 lbs



TITLE:

Invisimount™ Comp Flashing
 & L-foot Kit w/ M10 Hex Bolt

PART NUMBER: SPCR-CH

SIZE	REV	DRAWN: NW	SCALE:
A	A	CHECKED: EKS	SHEET: 1 OF 1