

SCALE 1:2

LAG SCREW, 5/16 X 4.5" 18-8 SS

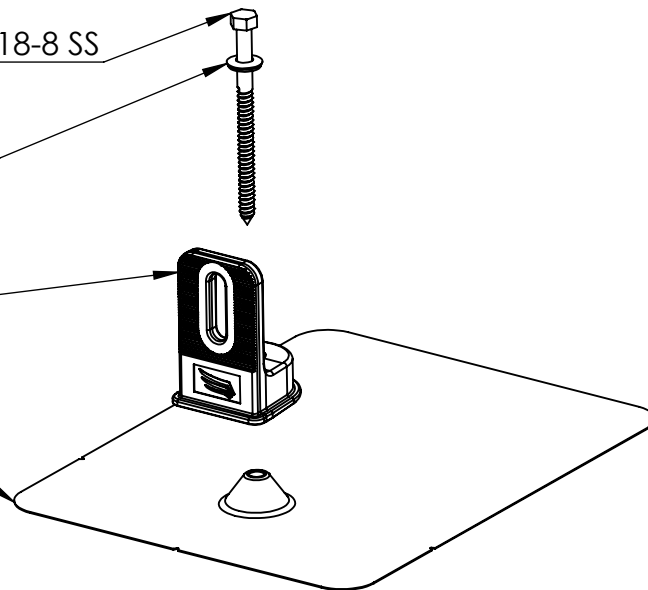
BONDED EPDM WASHER



SCALE 1:5

L-FOOT

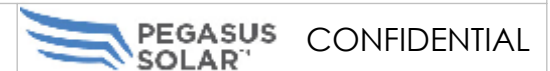
COMP FLASHING



SCALE 1:4

PROPRIETARY AND CONFIDENTIAL

THE INFORMATION CONTAINED IN THIS DRAWING IS THE SOLE PROPERTY OF PEGASUS SOLAR INC. ANY REPRODUCTION IN PART OR AS A WHOLE WITHOUT THE WRITTEN PERMISSION OF PEGASUS SOLAR INC IS PROHIBITED.



TITLE:
Composition Flashing & L-Foot
Kit for Railed Systems

Comments:

L FOOT Mass = 0.3 lbs
LAG / CAPTURED WASHER Mass = 0.1 lbs
FLASHING Mass = 0.7 lbs

PART NUMBER: PSCR-C0

SIZE	REV	DRAWN: NW	SCALE:
A	A	CHECKED: EKS	SHEET: 1 OF 1