

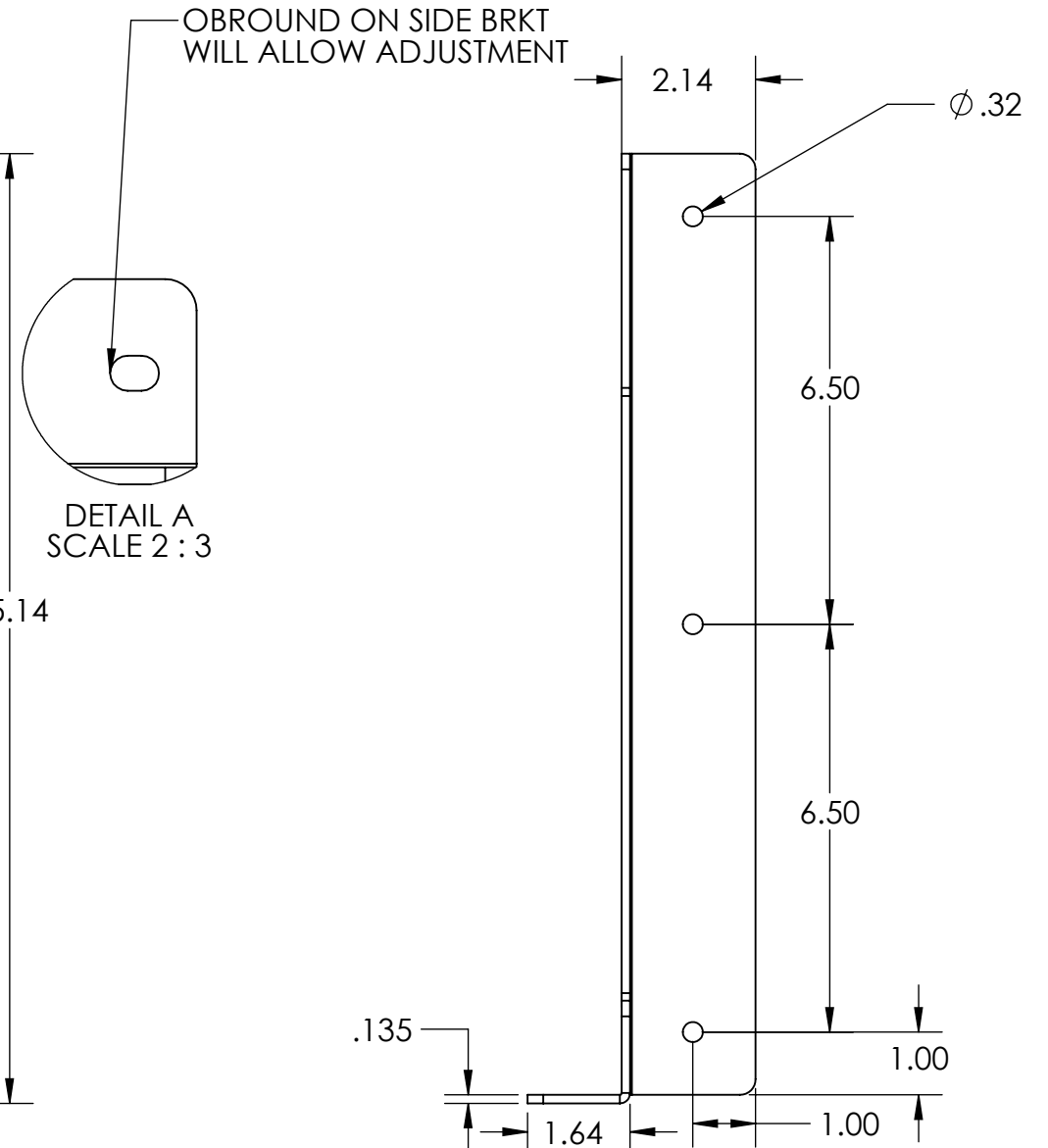
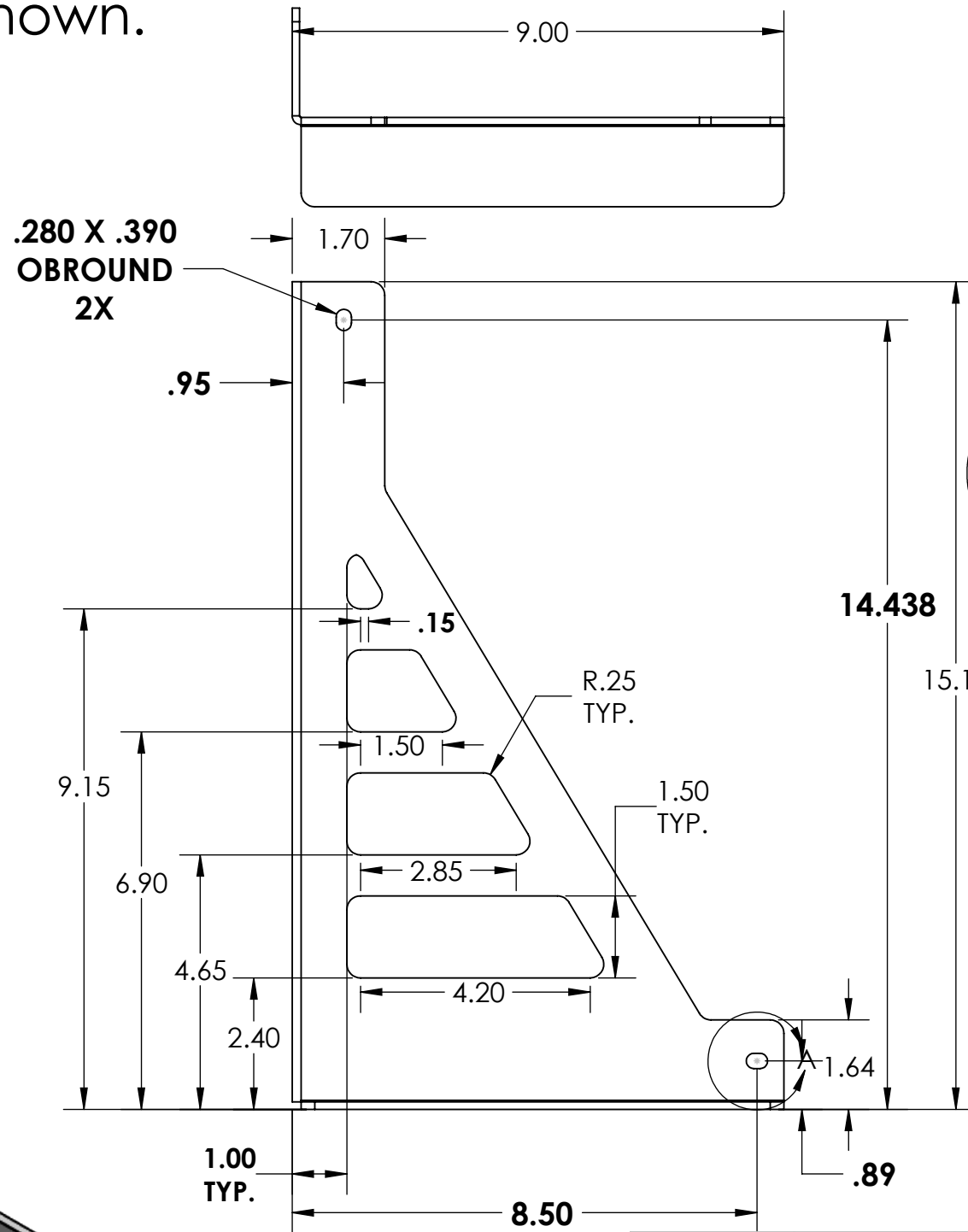
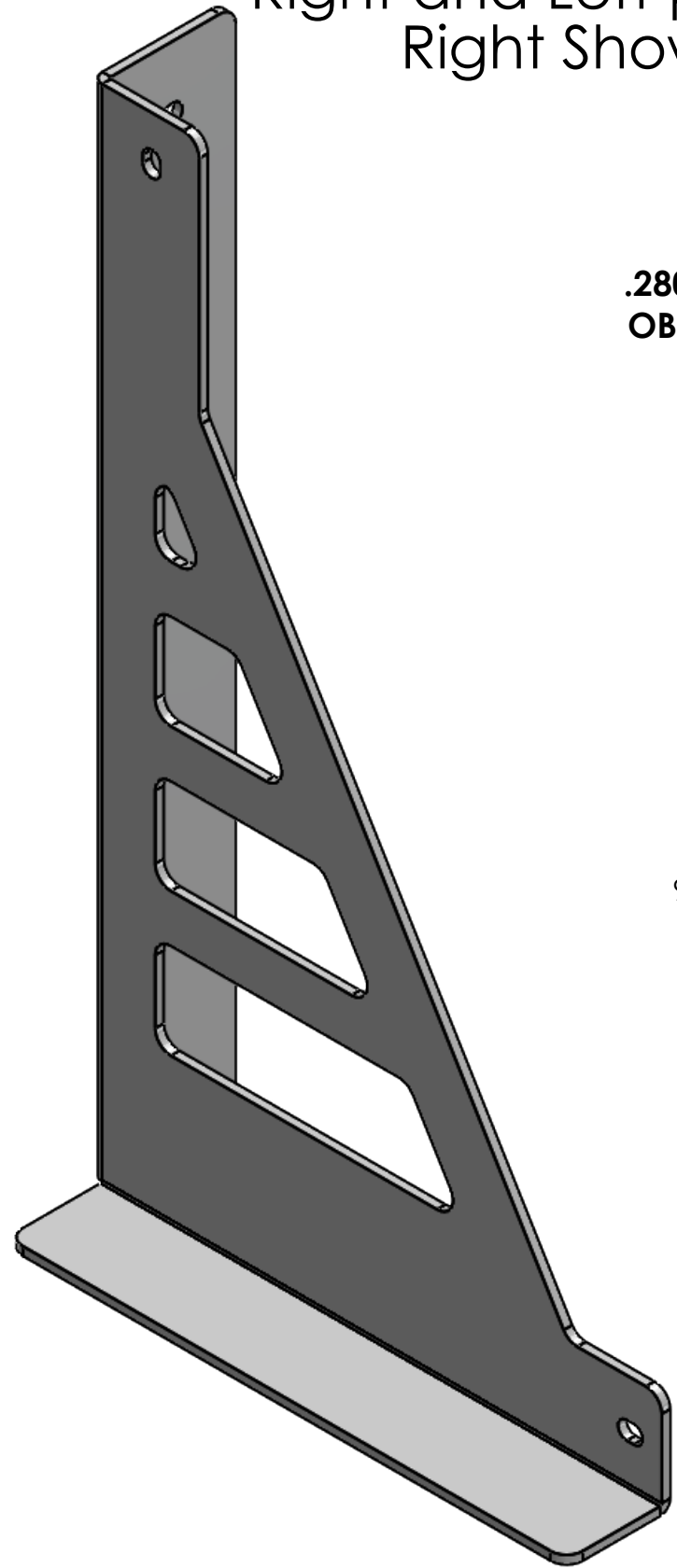
PHI 3.4 WALL MOUNT BRACKET ASSY

PROPRIETARY AND CONFIDENTIAL
 THE INFORMATION CONTAINED IN THIS DRAWING IS THE SOLE PROPERTY OF SimpliPhi Power, Inc. ANY REPRODUCTION IN PART OR AS A WHOLE WITHOUT THE WRITTEN PERMISSION OF SimpliPhi Power, Inc. IS PROHIBITED.

		UNLESS OTHERWISE SPECIFIED:		NAME	DATE
		DIMENSIONS ARE IN INCHES TOLERANCES: FRACTIONAL ± ANGULAR: MACH ± BEND ± TWO PLACE DECIMAL ± THREE PLACE DECIMAL ±		DRAWN	
		INTERPRET GEOMETRIC TOLERANCING PER:		CHECKED	
		MATERIAL 10 GA CRS		ENG APPR.	
NEXT ASSY	USED ON	FINISH BLACK TEXTURE POWDERCOAT		MFG APPR.	
APPLICATION		DO NOT SCALE DRAWING		Q.A.	
				COMMENTS:	
SimpliPhi Power, Inc.					
TITLE:					
SIZE B	DWG. NO. 021513		REV		
SCALE: 1:4		WEIGHT:		SHEET 1 OF 3	

10 Ga CRS w/Black Powder Coat Black Texture
 Right and Left per unit.
 Right Shown.

ITEM NO.	PART NUMBER	QTY.
1	Right and Left Bracket Battery Box	1 Each



PHI 3.4 WALL MOUNT BRACKET ASSY

PROPRIETARY AND CONFIDENTIAL
 THE INFORMATION CONTAINED IN THIS
 DRAWING IS THE SOLE PROPERTY OF
SimpliPhi Power, Inc. ANY
 REPRODUCTION IN PART OR AS A WHOLE
 WITHOUT THE WRITTEN PERMISSION OF
SimpliPhi Power, Inc. IS
 PROHIBITED.

UNLESS OTHERWISE SPECIFIED:		NAME	DATE	<p>SimpliPhi Power, Inc.</p> <p>TITLE: RIGHT BRACKET</p> <p>SIZE DWG. NO. REV B</p> <p>SCALE: 1:4 WEIGHT: SHEET 2 OF 3</p>
DIMENSIONS ARE IN INCHES		DRAWN		
TOLERANCES:		CHECKED		
FRACTIONAL ±		ENG APPR.		
ANGULAR: MACH ± BEND ±		MFG APPR.		
TWO PLACE DECIMAL ±		Q.A.		
THREE PLACE DECIMAL ±		COMMENTS:		
INTERPRET GEOMETRIC TOLERANCING PER:				
MATERIAL		10 GA CRS		
FINISH		BLACK TEXTURE POWDERCOAT		
NEXT ASSY	USED ON			
APPLICATION		DO NOT SCALE DRAWING		

8 7 6 5 4 3 2 1

D

D

C

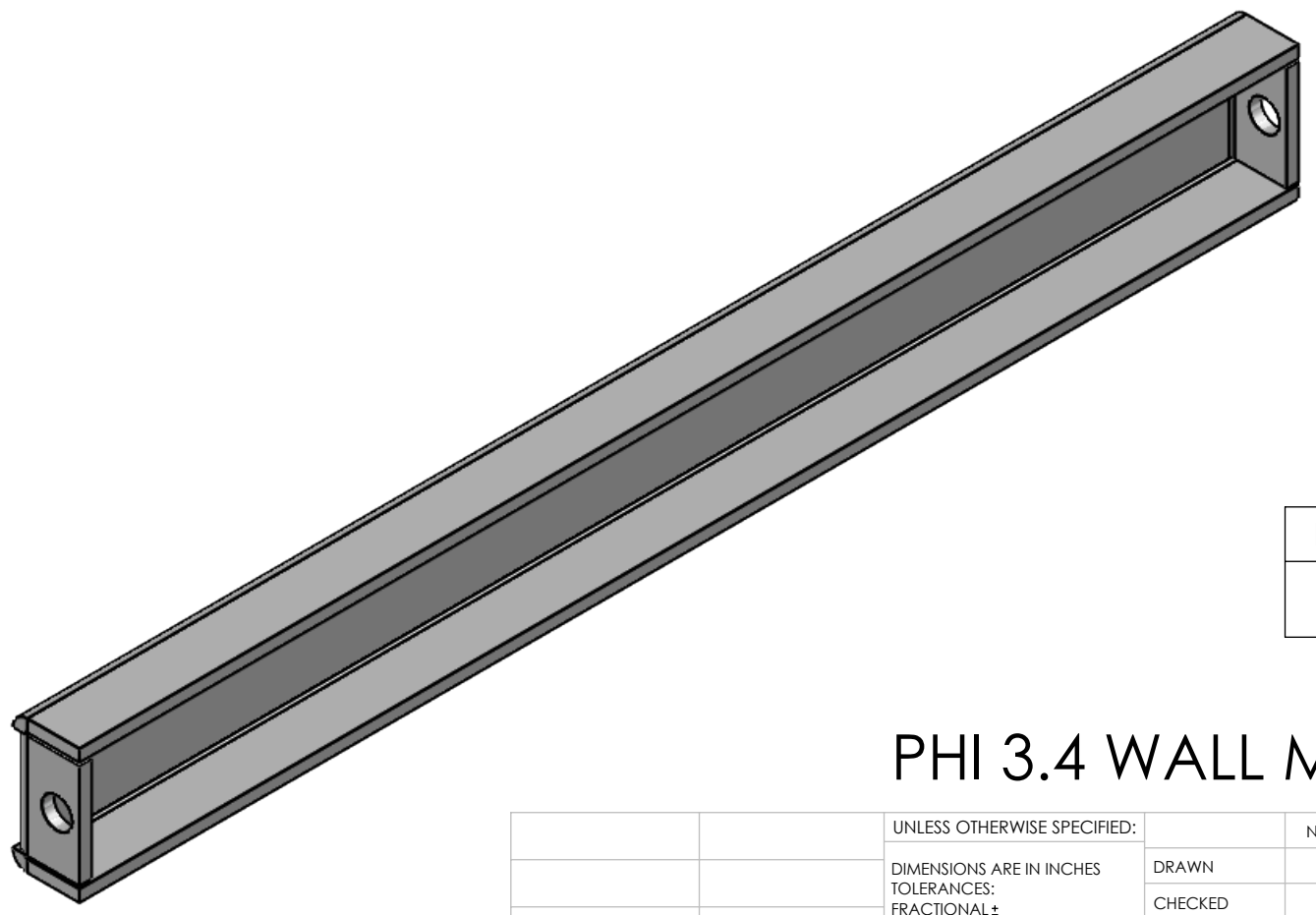
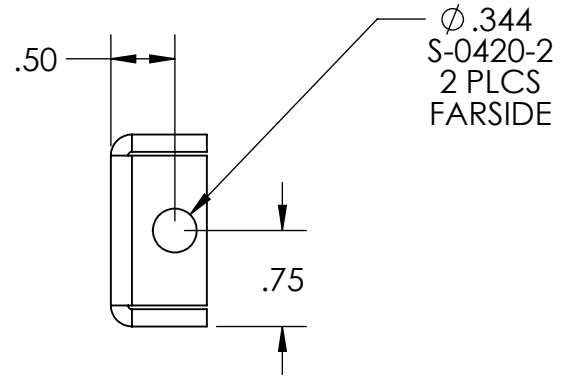
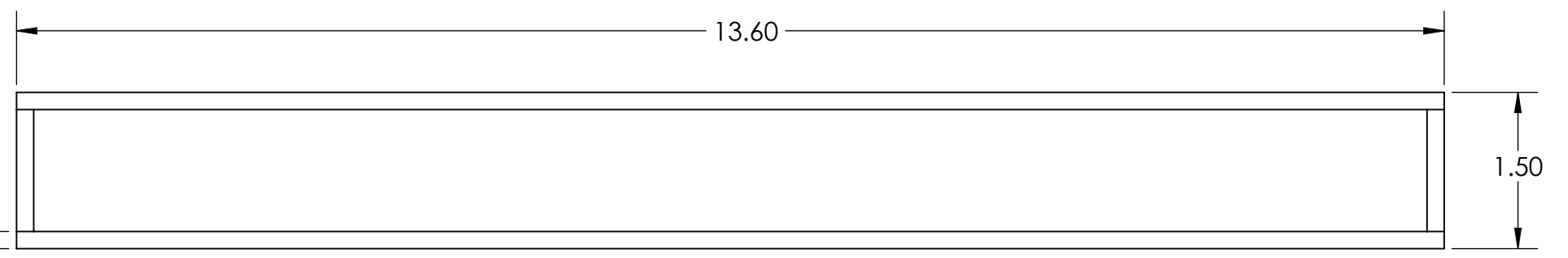
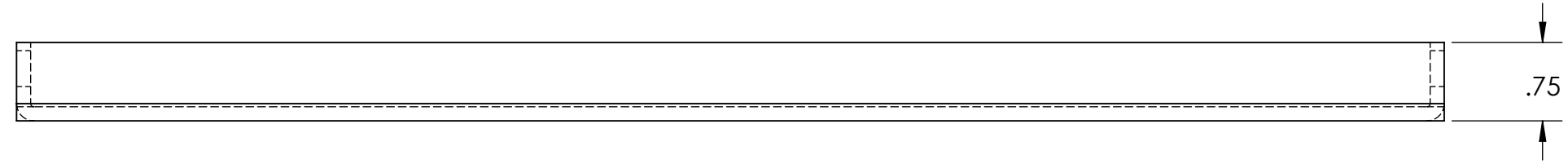
C

B

B

A

A



ITEM NO.	PART NUMBER	QTY.
1	Top & Front Brace Bar Battery Box	2

PHI 3.4 WALL MOUNT BRACKET ASSY

PROPRIETARY AND CONFIDENTIAL
 THE INFORMATION CONTAINED IN THIS DRAWING IS THE SOLE PROPERTY OF SimpliPhi Power, Inc.. ANY REPRODUCTION IN PART OR AS A WHOLE WITHOUT THE WRITTEN PERMISSION OF SimpliPhi Power, Inc. IS PROHIBITED.

UNLESS OTHERWISE SPECIFIED:		NAME	DATE	SimpliPhi Power, Inc. TITLE: TOP & FRONT BRACE BAR SIZE: B DWG. NO. REV SCALE: 1:4 WEIGHT: SHEET 3 OF 3
DIMENSIONS ARE IN INCHES		DRAWN		
TOLERANCES:		CHECKED		
FRACTIONAL ±		ENG APPR.		
ANGULAR: MACH ± BEND ±		MFG APPR.		
TWO PLACE DECIMAL ±		Q.A.		
THREE PLACE DECIMAL ±		COMMENTS:		
INTERPRET GEOMETRIC TOLERANCING PER:				
MATERIAL		10 GA CRS		
FINISH		BLACK TEXTURE POWDERCOAT		
NEXT ASSY	USED ON			
APPLICATION		DO NOT SCALE DRAWING		

8 7 6 5 4 3 2 1