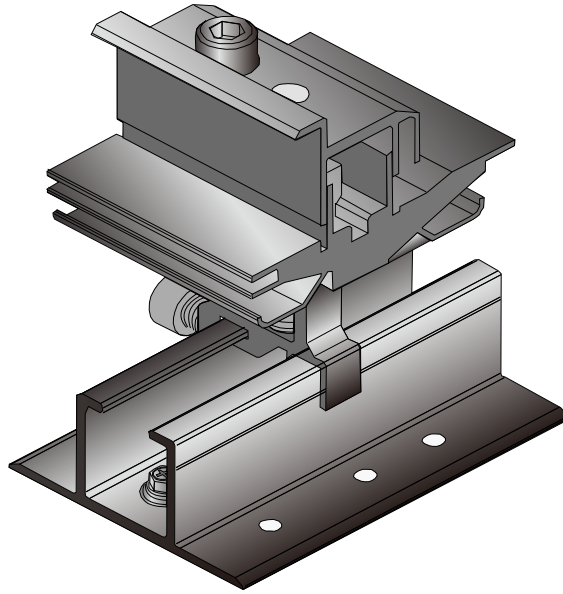
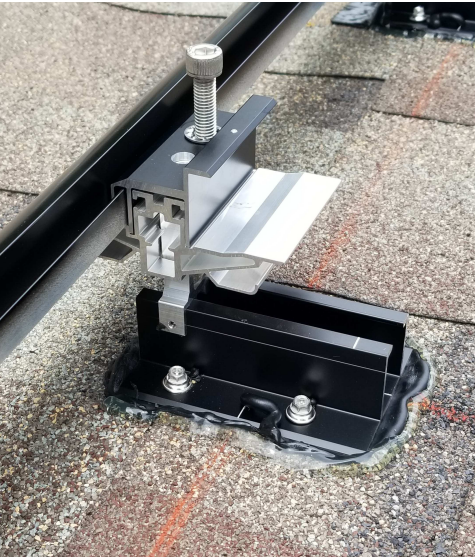


RT-**APEX**

The most advanced Rail-less & Self-flashing PV Mounting System



RT-**APEX**

Universal Clamping / Slide In Mounting
One Step Leveling / Integrated Flexible Flashing

Proven PV mounting since 1994



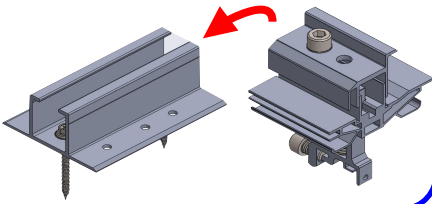
Roof Tech
The Standard for Waterproof Flexible Flashing Since 1994
www.roof-tech.us info@roof-tech.us

RT-APEX

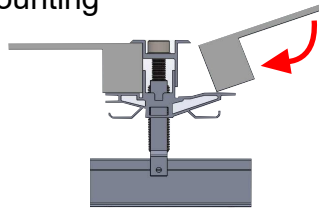
The standard for rail-less PV mounting

Installation

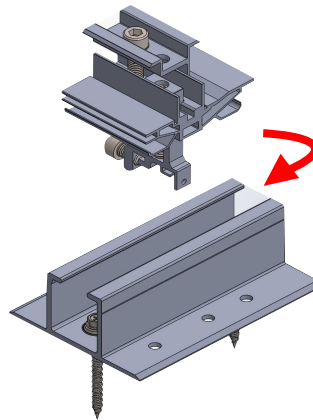
Install Base and End clamp



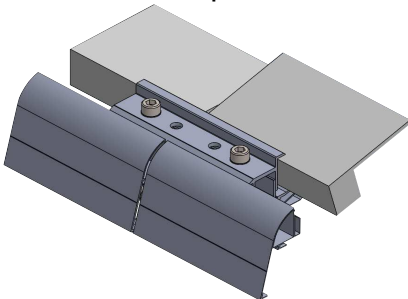
Slide In Mounting



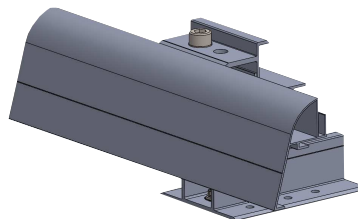
Middle clamp



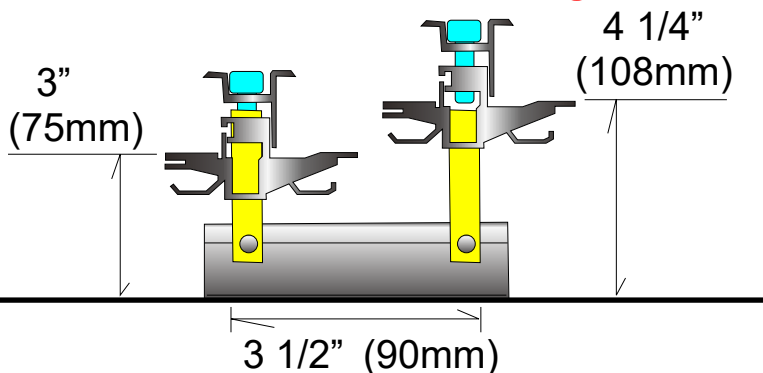
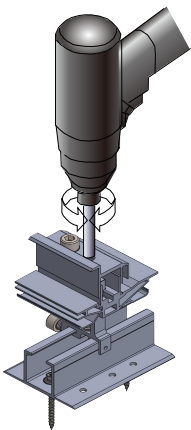
Skirt and End Splice



Skirt and End clamp

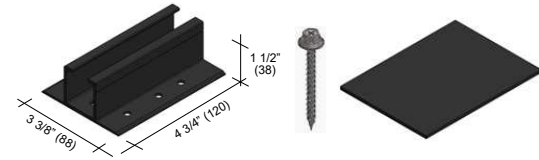


One step leveling !



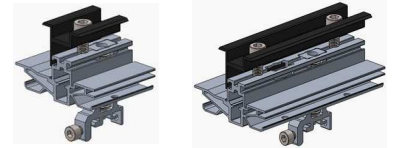
Item & Part Number

RT-APEX Base (RT3-00-AXBK)



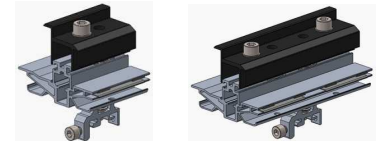
RT- Apex Base ; 24 ea.
SD5-60 Screws ; 48 ea.
Additional RT- Butyl ; 12 ea.

Middle Clamp (RT3-02-UM-BK)
Middle Floating Splice (RT3-02-UMFSBK)
Middle Clamp Splice (RT3-02-UMSBK)



Middle clamp ; 12 ea.

End Clamp (RT3-02-UE-BK)
End Floating Splice (RT3-02-UEFSBK)
End Clamp Splice (RT3-02-UESBK)



End Clamp ; 12 ea.

RT-APEX Skirt (RT3-03-SK80BL)



RT- Apex Skirt 80inch ; 8 ea.

Material Description	
Base	Anodized aluminum
Clamps	
Skirt	
Hardware	Stainless steel
Flexible Flashing	RT Butyl (ICC ESR 3575)

25 Year Limited Warranty
PAT PENDING

Roof Tech Inc.
www.roof-tech.us info@roof-tech.us
10620 Treena St. Suite 230, San Diego, CA 92131
858.935.6064



Rev. 03-2020