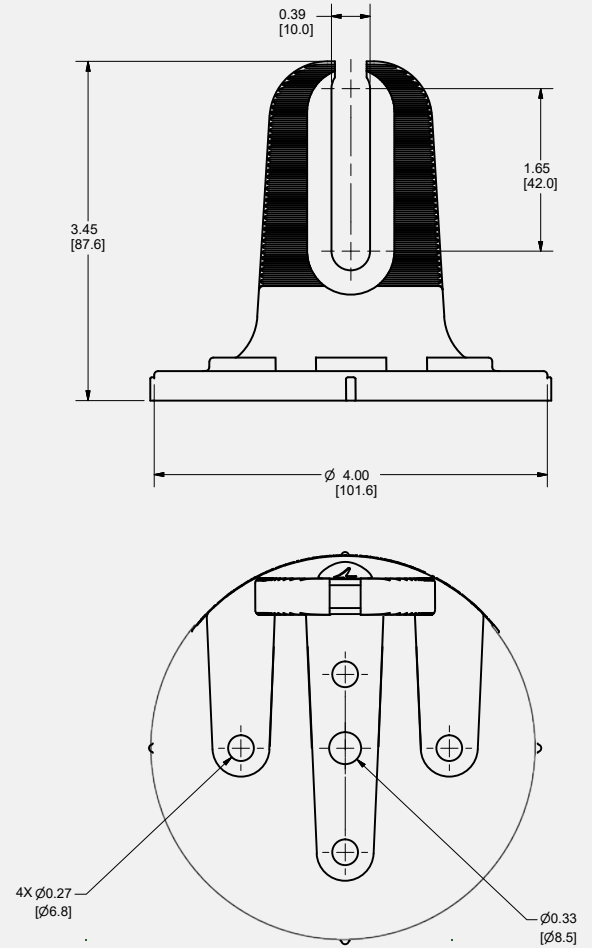


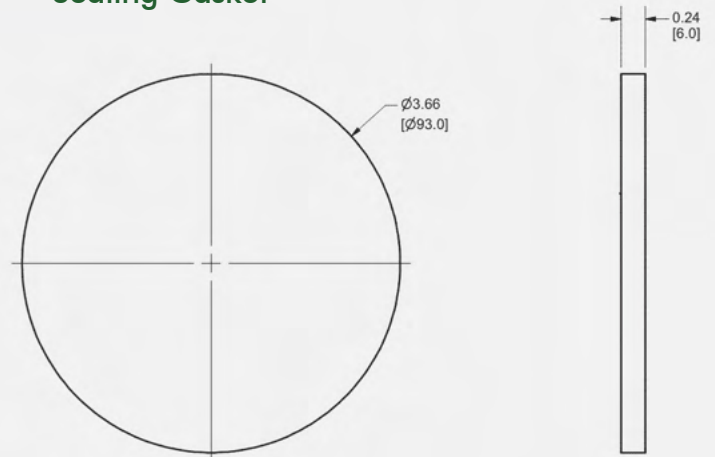
NanoMount®



NanoMount®



Sealing Gasket



Part Number	Description
K50063-BK1	NanoMount® • NanoMount • Sealing Gasket

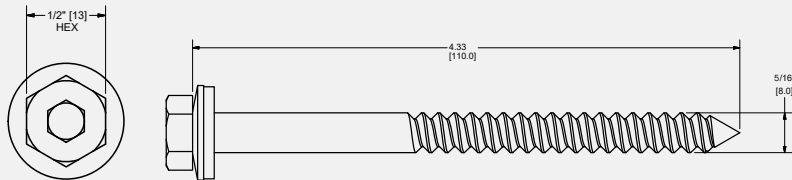
See Published data for allowable loads. Care should be taken to avoid concentrated loads during installation.

Material: Aluminum and Neoprene

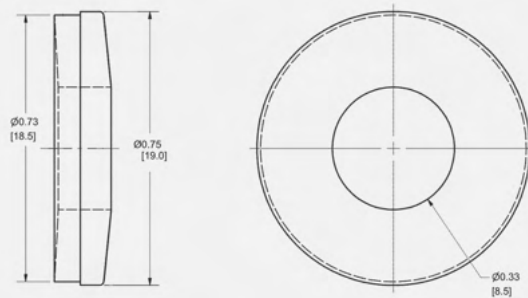
Lag Bolt Assembly



1. M8X110 Hex Head Lag Bolt



Sealing Washer

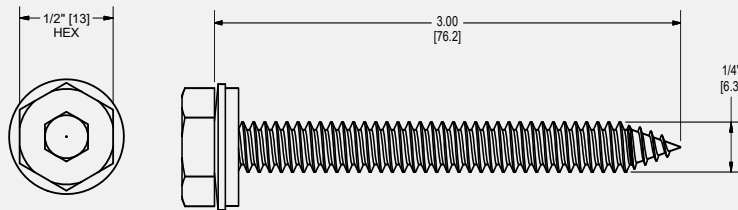


Material: Stainless Steel and EPDM

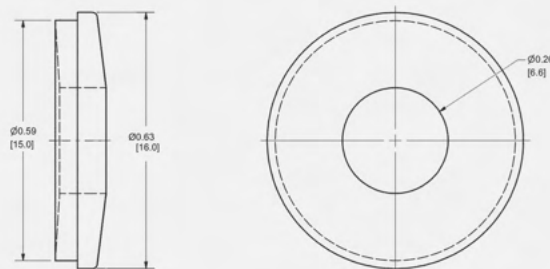
Decking Screw Assembly



2. #14 X 3" Self-Tapping Screw



Sealing Washer



Material: Stainless Steel and EPDM

Item No.	Part Number	Description
1	K50049-BK1	Lag Bolt Assembly <ul style="list-style-type: none"> • M8X110 Hex Head Lag Bolt • Sealing Washer
2	K50055-BK2	Decking Screw Assembly <ul style="list-style-type: none"> • #14 X 3" Self-Tapping Screw • Sealing Washer