

Catalog

Mounts



Racking



Systems



On behalf of our organization, thank you for considering SunModo for your racking needs.

At SunModo, we are dedicated to supporting the professional installer with robust and worry-free products, great technical support, and a complete line of innovative racking and mounting solutions.

We look forward to working with you!

The SunModo Team

Roof Attachments

Composite Shingle Roof

EZ Roof Mount Decking.	4
EZ3 Roof Mount	6
EZ Conduit Clamp	8

Metal Roof

EZ Metal Roof Mount.	10
RidgeBridge Mount.	12
EZ Grip Metal Deck Mount	13
EZ Standing Seam Clamp	15

Tile Roof

TopTile Mount Kit	17
-----------------------------	----

Helio Rails

HR Rails.	19
Rail selection chart	24
Rail splices.	26

EZ Pitched Roof System

Overview.	29
Clamps	31
Shared Rail Adaptor	32
Grouding Lug	32

Standing Seam Rail-Free System

Overview.	33
Standing Seam Rail-free kit	33

Contact Information

Phone:	1-360-844-0048
Fax:	1-503-863-3878
General:	info@sunmodo.com
Sales:	sales@sunmodo.com
Website:	www.sunmodo.com

Disclaimer

Due to continuous product optimization, we reserve the right to change our product information and this product catalog at any time. All previous product catalog information become invalid upon the release of later publications.

EZ Tilt-Up 2.0 System

Overview.	34
Components.	35

SunTurf System

(Roof Mount & Ground Mount)

Overview.	37
Components.	38

SunBeam System

Overview.	44
-------------------	----

SunDock Dual-Tilt System

Overview.	50
Dual-Tilt Clamps	50

SunPort Carport System

Overview.	51
Components.	52

SunShield Awning System

Overview.	56
Awning Kit	56

Solar Panel Seam Gasket.

EZ Roof Mounts



Standoff



***Metal
Roofs***

Roof Attachment – Composite Shingle EZ Roof Mount™ Kit w/ L-Foot

Save time, hassle, and callbacks by using EZ Roof Mount™ for any composite shingle roof.

Specially designed with sealing point protected from elements, the kit (both lag bolt and decking screw version) is IAMPO certified for waterproofing and structural integrity.

The kit includes one flashing (10.00 x 12.48 x 0.04 inches) , one versatile aluminum base designed for multiple configurations, one EZ L-Foot and all hardware. U.S. Patent Number 8,122,648



Versatile aluminum base for multiple configurations.



Flashing designed to redirect water flow.



Available in black.



C Bracket

Part Number	Description
K10068-001	EZ Roof Mount Kit w/ L-Foot, Silver, Rafter
K10068-BK1	EZ Roof Mount Kit w/ L-Foot, Black, Rafter
K10068-020	EZ Roof Mount Kit w/ L-Foot, Silver, Decking
K10068-B20	EZ Roof Mount Kit w/ L-Foot, Black, Decking
K10068-002	EZ Roof Mount Kit w/ Tall L-Foot, Silver
K10068-BK2	EZ Roof Mount Kit w/ Tall L-Foot, Black
K10068-003	EZ Roof Mount Kit w/ L-Foot, 18" Flashing, Silver
K12005-001	EZ Roof Mount Kit w/ 2" C Bracket

Roof Attachment – Composite Shingle EZ Roof Mount Kit w/ Standoff

Save time, hassle, and callbacks by using EZ Roof Mounts for any composite shingle roof.

Specially designed with sealing point protected from elements, the kit provides exceptional resistance to corrosion and wear.

This kit includes one flashing, one versatile aluminum base designed for multiple configurations, one standoff of your chosen size (2", 3", 5" or 7") and all hardware. 18" size flashing also available. U.S. Patent Number 8,122,648



Perfect for top mounting rail.



Add a L Foot for side mounting rails.



L Foot version available.

Part Number	Description
K10070-002	EZ Roof Mount Kit w/ 2" Standoff, Silver
K10070-BK2	EZ Roof Mount Kit w/ 2" Standoff, Black
K10070-005	EZ Roof Mount Kit w/ 5" Standoff, Silver
K10070-BK5	EZ Roof Mount Kit w/ 5" Standoff, Black
K10070-007	EZ Roof Mount Kit w/ 7" Standoff, Silver

Roof Attachment – Composite Shingle

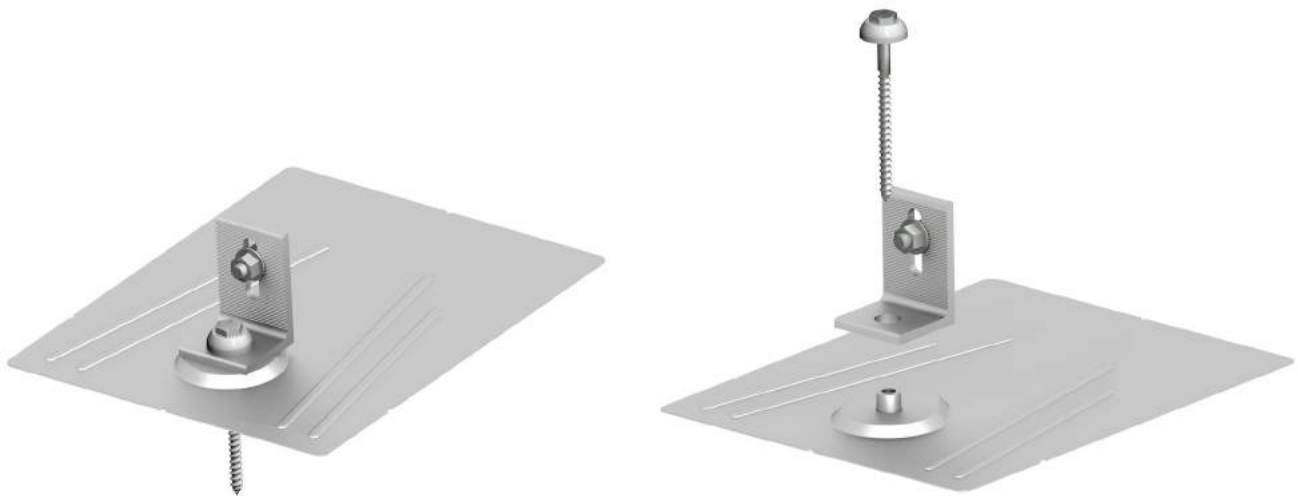
EZ3™ Roof Mount Kit

SunModo is proud to introduce our latest innovation, EZ3 Roof Mount. The mount consists of only three major components and is installed onto the roof in just three easy steps.

The raised teardrop flashing design diverts water from the roof penetration while the stamped emboss features stiffen the flashing to minimize bending. The serrated L-foot is designed for 360-degree positioning.

The mount is High-Velocity Hurricane Zone Approved – Passed TAS 100 (a) Wind-Driven Rain Test.

The kit includes one EZ3 flashing (9.5- x 12 x 0.04 inches) with roof shoe , one pre-assembled lag screw with EPDM gasket and washer and one L-Foot and all hardware.

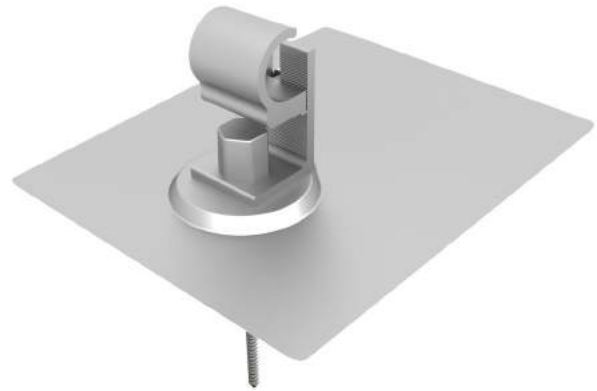


Part Number	Description
K50220-001	EZ3 Roof Mount Kit w/ L-Foot, Silver
K50220-BK1	EZ3 Roof Mount Kit w/ L-Foot, Black

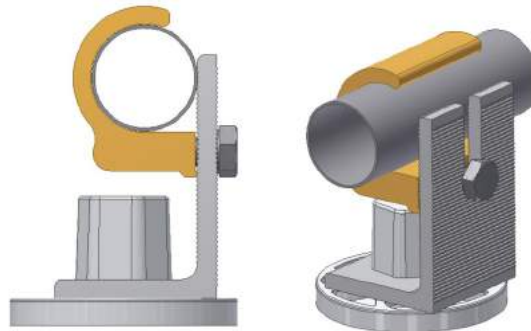
Roof Attachment – Composite Shingle EZ Roof Mount Kit w/ Conduit Clamp

The EZ Roof Mount Kit w/ Conduit Clamp provides a quick and easy way to manage 3/4" and 1" diameter conduit on composition shingle roof tops.

This kit includes one flashing, one versatile aluminum base designed for multiple configurations, one open slot L-Foot, one conduit clamp of your chosen size and all hardware.



A20212-001



Conduit Clamp assembly

Part Number	Description
K10205-001	EZ Roof Conduit Mount Kit, 1" Conduit, Silver
A20212-001	1" Conduit Clamp
K10205-002	EZ Roof Conduit Mount Kit, 3/4" Conduit, Silver
A20213-001	3/4" Conduit Clamp

Roof Attachment – Metal

EZ Metal Roof Mount Kit w/ L-Foot

With few components and single penetration, the EZ Metal Roof Mount Kit with L-Foot allows for fast installation. Secures tightly into wood beams.

The mount is High-Velocity Hurricane Zone Approved – Passed TAS 100 (a) Wind-Driven Rain Test.

The kit includes one EZ Metal Roof Shoe with a thick EPDM gasket for a water tight seal, one Hex Cap, one EZ L-Foot and all hardware.

U.S. Patent Number 8,136,311



Single penetration mount



Thick EPDM gasket for superior water tight seal.



L-Foot can swivel in any direction.

Part Number	Description
K10082-001	EZ Metal Roof Mount Kit w/ L-Foot, Clear
K10082-BK1	EZ Metal Roof Mount Kit w/ L-Foot, Black
K10082-002	EZ Metal Roof Mount Kit w/ Tall L-Foot, Clear
K10082-BK2	EZ Metal Roof Mount Kit w/ Tall L-Foot, Black

Roof Attachment – Metal

EZ Metal Roof Mount Kit w/ Standoff

With few components and single penetration, the EZ Metal Roof Mount Kit with Standoff allows for fast installation. Se- cures tightly into wood beams.

The mount is High-Velocity Hurricane Zone Approved – Passed TAS 100 (a) Wind-Driven Rain Test.

The kit includes one EZ Metal Roof Shoe with a thick EPDM gasket for a water tight seal, one standoff (available in 2, 3, 5, and 7") and all hardware.

U.S. Patent Number 8,136,311



Thick EPDM gasket for superior water tight seal.



Solid aluminum standoff that comes in different lengths.



Single penetration mount

Part Number	Description
K10064-002	EZ Metal Roof Mount Kit w/ 2” Standoff, Clear
K10064-BK2	EZ Metal Roof Mount Kit w/ 2” Standoff , Black
K10064-005	EZ Metal Roof Mount Kit w/ 5” Standoff, Clear
K10064-BK5	EZ Metal Roof Mount Kit w/ 5” Standoff, Black
K10064-007	EZ Metal Roof Mount Kit w/ 7” Standoff, Clear

Roof Attachment – Metal

EZ Metal Roof Mount Kit w/ Two-Screw

With few components and dual penetration, the EZ Metal Roof Mount Kit with Two-Screw allows for fast and secure installation into metal purlins.

We offer two choices of EZ Metal Roof Mount Kit with Two-Screw. The kit includes two EZ Metal Roof Shoes with thick EPDM gaskets for a water tight seal, two Hex Caps, one Two-Hole L-Foot/T-Foot and all hardware. ITW Tek Select screws (ITW PN 1126000) are used in the kit. We also offer a L Metal Roof Mount Kit (gasket included) if your prefer a low cost solution.



K10154-001



K10142-001



K10004-002

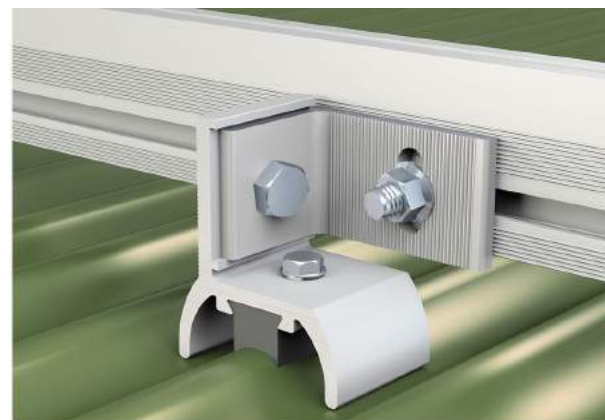
Part Number	Description
K10142-001	EZ Metal Roof Mount Kit w/Two-Screw, L-Foot
K10154-001	EZ Metal Roof Mount Kit w/Two-Screw, T-Foot
K10004-002	L Metal Roof Mount Kit w/ Gasket

Roof Attachment – Metal RidgeBridge™ Mount Kit

Designed for maximum flexibility, the RidgeBridge™ Mount can be attached to most traditional or trapezoidal corrugated roof profiles.

The RidgeBridge Mounts are compatible with corrugation pitch heights ranging from 3/4” to 1-1/2”.

The kit can be combined with L-Adaptor to change the orientation of rail at right angles to corrugations.



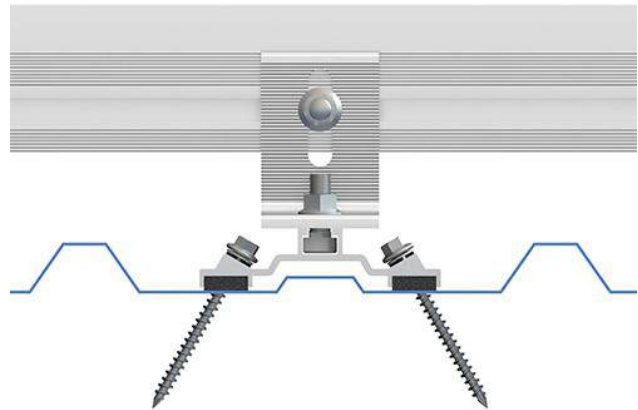
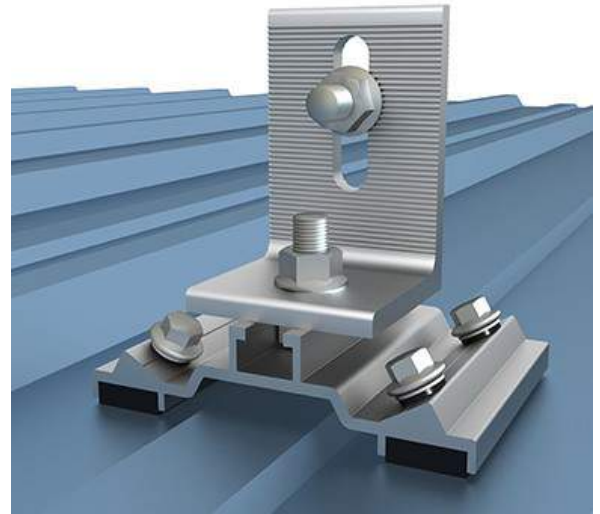
Part Number	Description
K10211-002	3/4 Pitch Height RidgeBridge Mount Kit (no lag bolt)
K10212-002	1 Pitch Height RidgeBridge Mount Kit (no lag bolt)
K10213-002	1-1/2Pitch Height RidgeBridge Mount Kit (no lag bolt)
K10066-016	RidgeBridge L-Adaptor Kit
A50011-001	Tool, RidgeBridge Mount Selection

Roof Attachment – Metal EZ Grip Metal Deck Mount

Need a metal roof decking solution? Look no further than SunModo’s EZ Grip Metal Deck Mount.

Designed for easy installation into sheet metal, plywood or OSB roof decking, the EZ Grip Metal Deck Mount works for the most popular R-Panel and U-Panel trapezoidal types of metal roofs.

The aluminum extruded base easily clears roof profiles 7/16” tall by 1-1/2” wide. The EPDM gaskets on the washers and on the aluminum extruded base combine to provide a water tight seal at the roof penetration site.



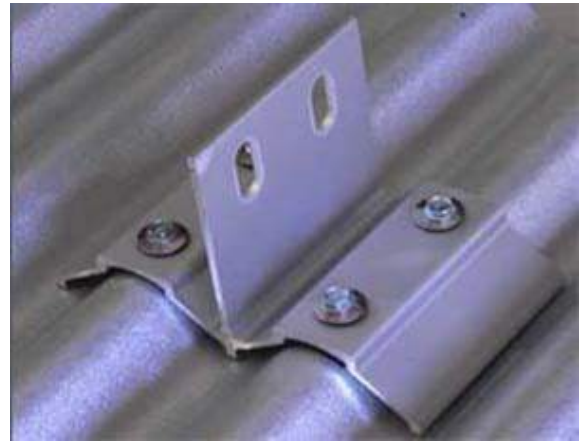
Part Number	Description
K50532-001	EZ Grip Metal Roof Deck Mount
K50532-002	EZ Grip Metal Roof Deck Mount (for 26ga SM)

Roof Attachment – Metal EZ Corrugated Metal Mount Kit

The EZ Corrugated Roof Bracket is compatible with most common metal roofing materials and is mounted directly into the supporting structure of the roof.

The kit includes one EZ Corrugated Metal Mount with EPDM rubber gaskets and rail mounting nuts & bolts. Roof mounting bolts NOT supplied.

U.S. Patent Number 8,424,821



K12003-001



K12002-001

Part Number	Description
K12002-001	2-Screw Corrugated Roof Mount
K12003-001	4-Screw Corrugated Roof Mount

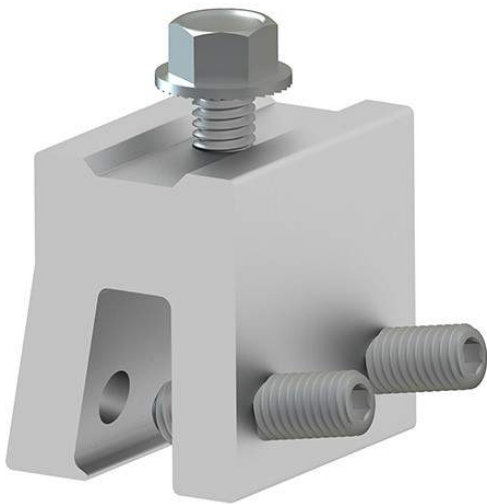
Roof Attachment – Standing Seam

1-inch EZ Standing Seam Clamp

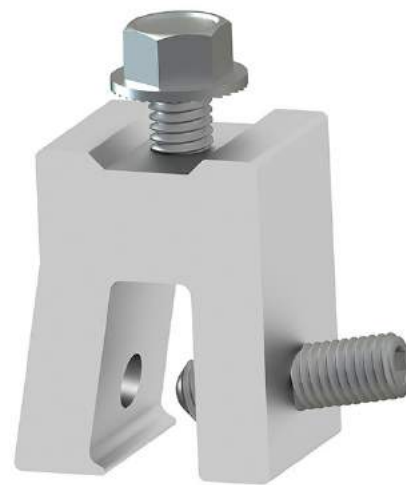
PV installations on metal roofs just got easier with SunModo’s own family of innovative standing seam clamps.

The clamp features roof-safe oval end set screw to eliminate damage to the roof. The set screw of the 1-inch clamp can be installed on either the vertical leg of the clamp or on the 10-degree leg of the clamp. Repositioning the set screw allows for this clamp to fit on a wide variety of standing seam roof profiles.

Available in 50mm width standard version with 2 set screws or 30mm width mini version with 1 set screw.



K50200-001



K50200-002

Part Number	Description
K50200-001	1-inch EZ Standing Seam Clamp, Standard
K50200-002	1-inch EZ Standing Seam Clamp, Mini

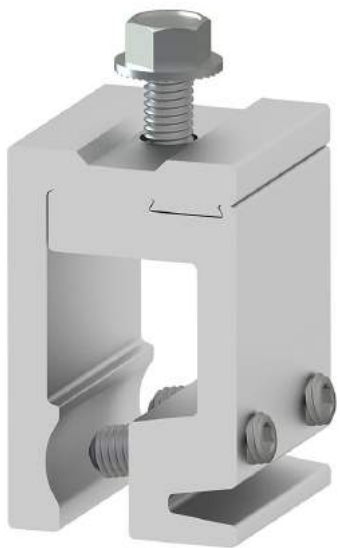
Roof Attachment – Standing Seam

2-inch EZ Standing Seam Clamp

PV installations on metal roofs just got easier with SunModo’s own family of innovative standing seam clamps.

The clamp features roof-safe oval end set screw to eliminate damage to the roof. The 2-inch clamp installs in situ at the desired seam attachment location. No more sliding the clamp up the roof line with this unique two-part assembly.

Available in 50mm width standard version with 2 set screws or 30mm width mini version with 1 set screw.



K50210-001



K50210-002

Part Number	Description
K50210-001	2-inch EZ Standing Seam Clamp, Standard
K50210-002	2-inch EZ Standing Seam Clamp, Mini

Roof Attachment – Tile

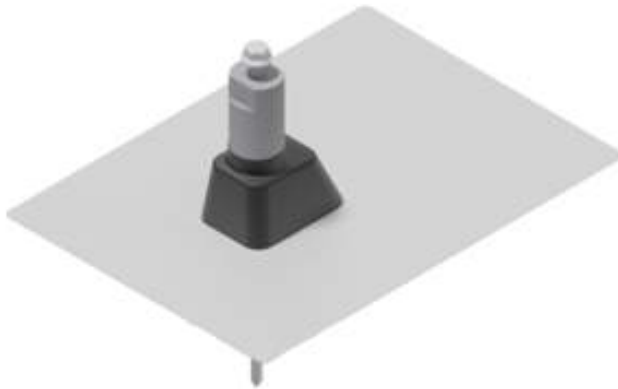
TopTile™ Mount

TopTile™ Mount is the world’s first PV mounting system that is mounted entirely above the tiles. The mounting system spares an installer the need to deconstruct the tile roof.

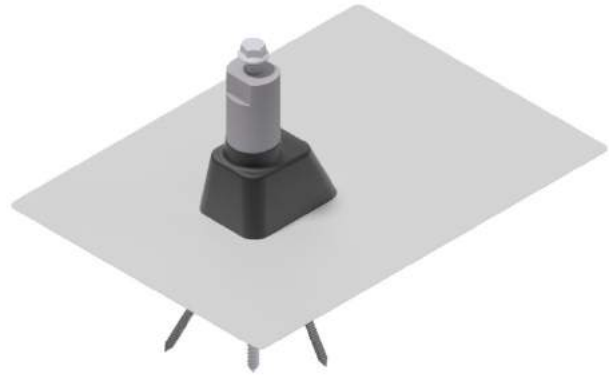
The TopTile™ Mount System features three mounting options that secure panels 4-7 inches above the tile surface, using stanchions with water-proof sealing washers and moldable flashing. Installers can choose either patented deck mounting system or a rafter mounting system. The system can also be mounted to a flat concrete surface with a customer supplied expansion anchor.

The TopTile Mounts can be attached to any concrete, clay, stone, fiberglass, rubber, or stone tile roofs per International Code Council (ICC) building codes.

The mount is High-Velocity Hurricane Zone Approved – Passed TAS 100 (a) Wind-Driven Rain Test.



K10206-005/007



K10207-105/107

Part Number	Description
K10206-005	5" Rafter TopTile Mount Kit
K10206-007	7" Rafter TopTile Mount Kit
K10207-105	5" Wood Deck TopTile Mount Kit
K10207-107	7" Wood Deck TopTile Mount Kit
K10290-005	5" Concrete Deck TopTile Mount Kit
K10290-007	7" Concrete Deck TopTile Mount Kit
A20230-001	1" Aluminum Spacer

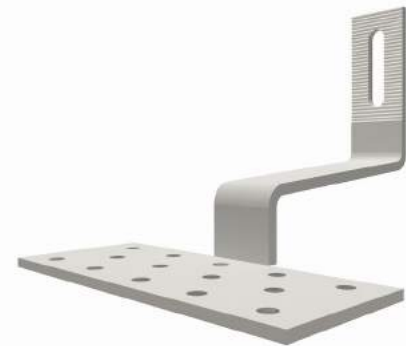
Roof Attachment – Tile

EZ Tile Hook

The EZ Tile Hooks offer a strong, low-profile roof attachment solution for plain, flat or Spanish tile that eliminates the need for cutting and drilling of tile.

We offer 4 choices of tile hooks for vertical rail mounting and 4 choices of tile hooks for flat mounting for strut type rails. The hooks provide a nominal 110 pound load and uplift capability when mounted into roof trusses with two 1/4 x 3-1/2 inch long Roofing Screw (included).

Another feature of the tile hook is the tile hook base, which includes a gasket underneath.



Part Number	Description
K10167-001	Strap Tile Hook Kit, Horizontal
K10168-001	Strap Tile Hook Kit, Vertical
K10169-001	Multi-Screw Tile Hook Kit, Horizontal
K10170-001	Multi-Screw Tile Hook Kit, Vertical
K10171-001	Spanish Tile Multi-Screw Hook Kit, Horizontal
K10172-001	Spanish Tile Multi-Screw Hook Kit, Vertical
K10173-001	Flat Tile Multi-Screw Hook Kit, Horizontal
K10174-001	Flat Tile Multi-Screw Hook Kit, Vertical

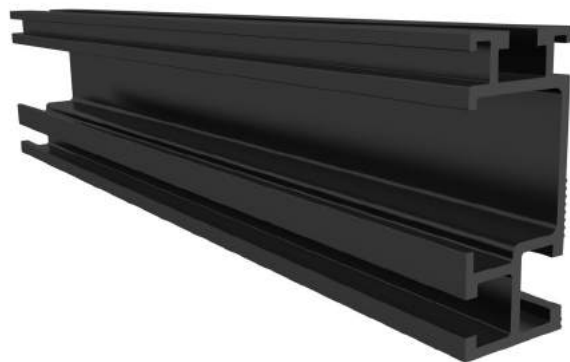
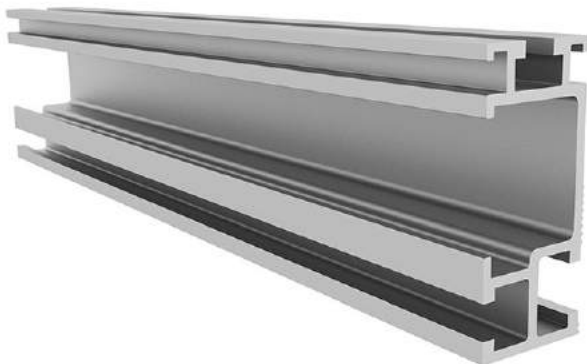
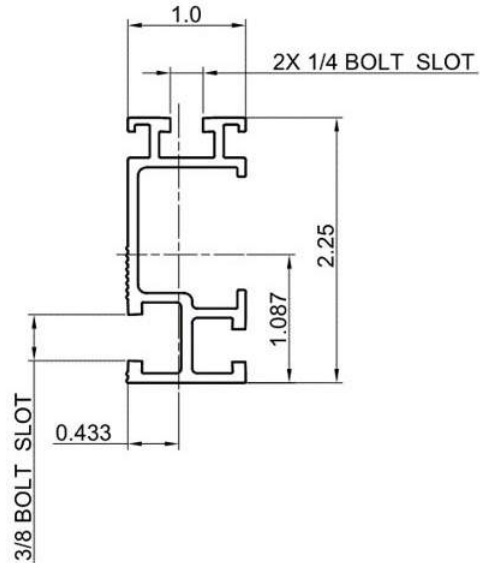
Helio Rails – HR150

SunModo’s new HR150 Open Rail makes it easy to route PV wires inside rail channels with the cable management feature.

Rail Selection Tool on page 23

With two convenient 1/4” channels and a 3/8” slot available, HR150 can handle a variety of components such as mounts, rail splices, micro-inverters, and clamps.

Manufactured in 3 stock sizes in clear or black. HR150 is extruded 6005-T5 aluminum with anodized coating for lasting aesthetics. Mill finish options are also available.



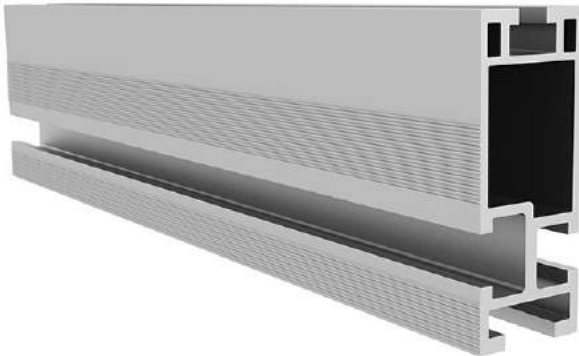
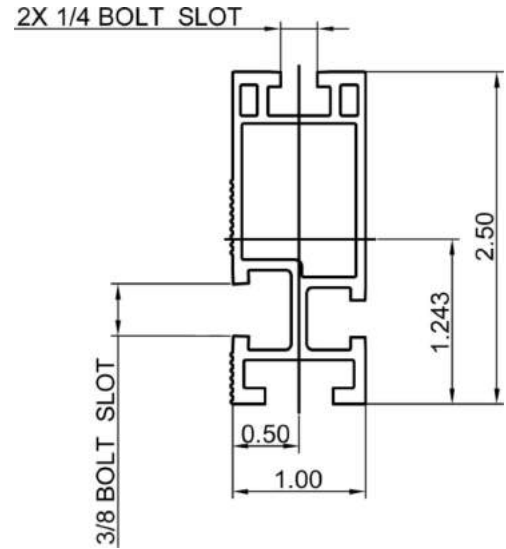
Part Number	Description
A20242-124	HR150 (Helio Open Rail) 124”, Clear
A20242-124-BK	HR150 (Helio Open Rail) 124”, Black
A20242-166	HR150 (Helio Open Rail) 166”, Clear
A20242-166-BK	HR150 (Helio Open Rail) 166”, Black
A20242-206	HR150 (Helio Open Rail) 206”, Clear
A20242-206-BK	HR150 (Helio Open Rail) 206”, Black

Helio Rails – HR250

SunModo’s HR 250 Rail is a cost-effective rail especially designed for strength and versatility. **Rail Selection Tool on page 23**

With two convenient 1/4” channels and a 3/8” slot available, the Helio standard Rail can handle a variety of components such as mounts, rail splices, micro-inverters, and clamps.

Manufactured in 3 stock sizes in clear or black. HR250 is extruded 6005-T5 aluminum with anodized coating for lasting aesthetics.



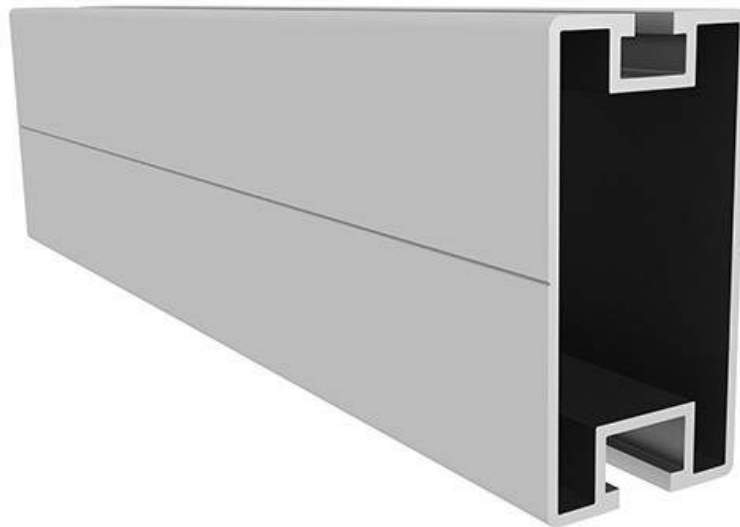
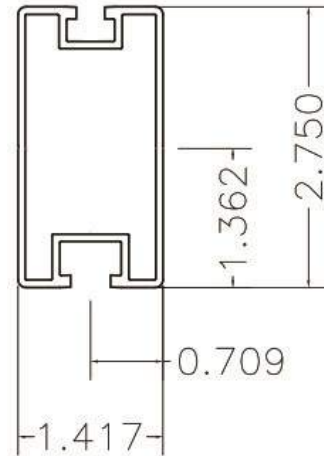
Part Number	Description
A20144-124	HR250 (Helio Standard Rail) 124”, Clear
A20144-124-BK	HR250 (Helio Standard Rail) 124”, Black
A20144-166	HR250 (Helio Standard Rail) 166”, Clear
A20144-166-BK	HR250 (Helio Standard Rail) 166”, Black
A20144-206	HR250 (Helio Standard Rail) 206”, Clear
A20144-206-BK	HR250 (Helio Standard Rail) 206”, Black

Helio Rails – HR300

SunModo’s HR 300 Rail is specially designed for the SunTurf system to maximize spans and optimize cost and performance

HR300 can handle a variety of components such as mounts, rail splices, micro-inverters, and clamps.

HR300 is extruded 6005-T5 aluminum with anodized coating for lasting aesthetics.



Part Number	Description
A20288-166	HR300, 166", Clear

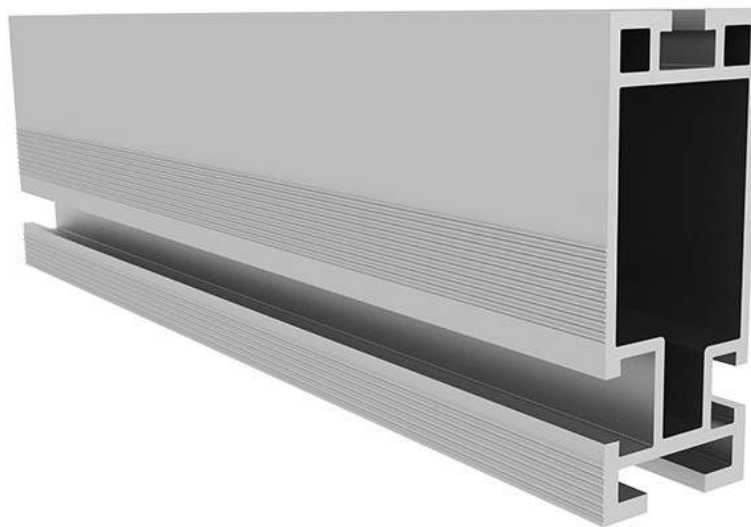
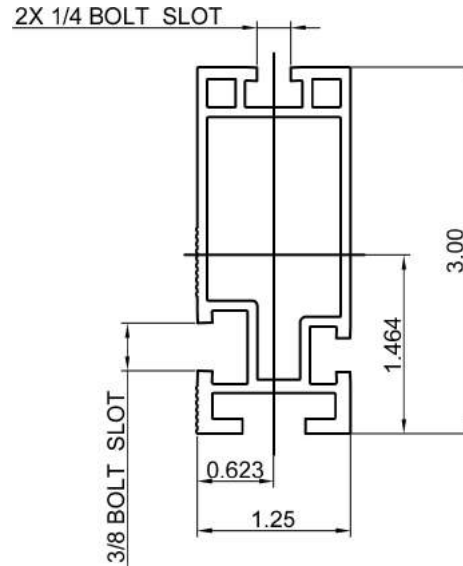
Helio Rails – HR350

SunModo’s HR 350 Rail is known for its heavy duty strength and spanning long distances between mounts.

Rail Selection Tool on page 23

With two convenient 1/4” channels and a 3/8” slot available, the Helio Heavy Rail can handle a variety of components such as mounts, rail splices, micro-inverters, and clamps.

Manufactured in 3 stock sizes in clear. HR350 is extruded 6005-T5 aluminum with anodized coating for lasting aesthetics.



Part Number	Description
A20145-124	HR350 (Helio Heavy Rail) 124”, Clear
A20145-166	HR350 (Helio Heavy Rail) 166”, Clear
A20145-212	HR350 (Helio Heavy Rail) 212”, Clear

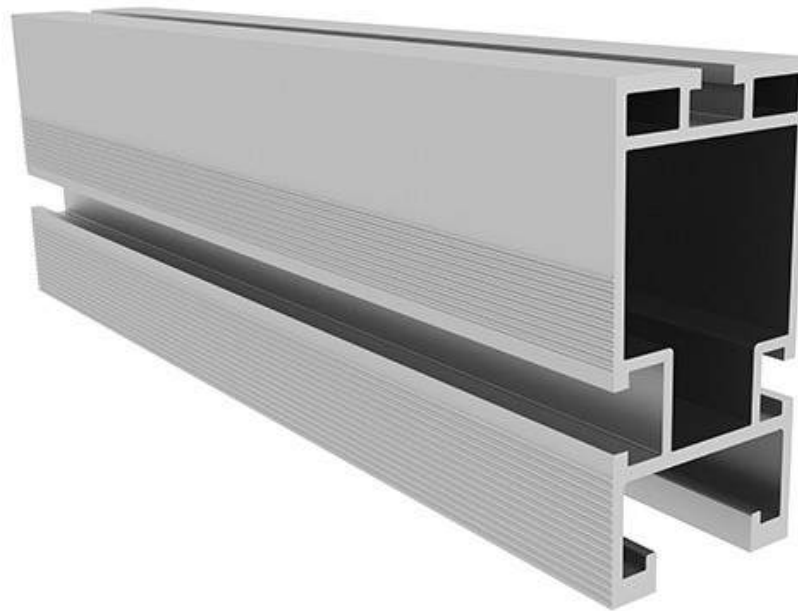
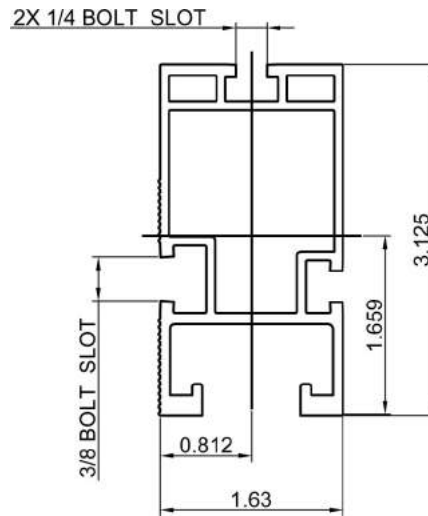
Helio Rails – HR500

SunModo’s HR 500 Rail is a high performance rail with super heavy duty strength and longest spanning distances between mounts among all new rails.

Rail Selection Tool on page 23

With two convenient 1/4” channels and a 3/8” slot available, the Helio Super Rail can handle a variety of components such as mounts, rail splices, micro-inverters, and clamps.

Manufactured in 212” stock size in clear.
HR500 extruded 6005-T5 aluminum with anodized coating for lasting aesthetics.



Part Number	Description
A20146-212	HR500 (Helio Super Rail) , 212", Clear

Helio Rail Selection Chart

The following table was prepared in compliance with applicable engineering codes and standards. Values are based on the following criteria: ASCE 7-10, Roof Zone 1, Exposure B, Roof Slope of 7 to 27 degrees and Mean Building Height of 30 feet.

Load		Rail Span					
SNOW (PSF)	WIND (MPH)	4 ft	5 ft	6 ft	8 ft	10 ft	12 ft
None	100	HR150	HR250	HR350	HR500	HR500	HR500
	120						
	140						
	150						
	160						
	175						
20	100	HR150	HR250	HR350	HR500	HR500	HR500
	120						
	140						
	150						
	160						
	175						
40	100	HR150	HR250	HR350	HR500	HR500	HR500
	120						
	140						
	150						
	160						
	175						
50-70	100	HR150	HR250	HR350	HR500	HR500	HR500
	120						
	140						
	150						
	160						
	175						
80-90	100	HR150	HR250	HR350	HR500	HR500	HR500
	120						
	140						
	150						
	160						
	175						

Properties	Units	HR150 A20242	HR250 A20144	HR350 A20145	HR500 A20146
Material	N/A	Aluminum 6005-T5	Aluminum 6005-T5	Aluminum 6005-T5	Aluminum 6005-T5
Finish	N/A	Clear and Black	Clear and Black	Clear and Black	Clear and Black
Approx. Weight (per linear ft)	plf	.672	.850	1.143	1.388
Total Cross Section Area	in ²	.566	.723	.973	1.182
Section Modulus (X–Axis)	in ³	.299	.387	.683	.851
Section Modulus (Y–Axis)	in ³	.106	.190	.333	.542
Moment of Inertia (X–Axis)	in ⁴	.348	.486	1.049	1.412
Moment of Inertia (Y–Axis)	in ⁴	.060	.095	.209	.443
Radius of Gyration (X–Axis)	in	.785	.820	1.093	1.093
Radius of Gyration (Y–Axis)	in	.327	.363	.612	.612

Rail End Caps

HR Rail End Caps are made of aluminum and provide a clean finished look to the system. Available in Gray and Black. HR150 Rail End Cap can also be used as cable clip to retain PV electrical wires in the open channels of HR150.



Part Number	Description
A20250-001	End Cap, HR150, Gray
A20250-BK1	End Cap, HR150, Black
A20284-001	End Cap, HR250, Gray
A20284-BK1	End Cap, HR250, Black
A20285-001	End Cap, HR350, Gray
A20285-BK1	End Cap, HR350, Black
A20263-001	End Cap, HR500, Gray
A20263-BK1	End Cap, HR500, Black

Channel Clip

PV electrical wires are routed in the channels of the HR150 (Helio Open Rail), retained with our Channel Clips snapped into place.



Part Number	Description
A20252-001	Cable Clip, HR150 Rail
A20252-BK1	Cable Clip, HR150 Rail

Cable Clip

Cable clips are compatible with HR250 (Helio Standard Rail), HR350 (Helio Heavy Rail) and HR500 (Helio Super Rail)



Part Number	Description
A20162-001	Cable Clip

L-Foot Kits

SunModo L-Foot Kits are heavy duty and can be used in a variety of ways for mounting. One long vertical slot for adjustment of rail when facing uneven roofing. Serrated on both sides for secure mounting on the rail. We also offer a Tall L-Foot version that gives you more flexibility on vertical adjustments.



Part Number	Description
K10066-001	L-Foot Kit, Clear
K10066-BK1	L-Foot Kit, Black
K10096-001	Tall L-Foot Kit, Clear
K10096-BK1	Tall L-Foot Kit, Black

Bonding Rail Splices

SunModo Rail Splices with unique built-in grounding pins deliver a stronger rack and a solid bond between rails.

HR150 Rail Splice Kit Attaching to 1/4" rail slot



Part Number	Description
K10236-001	Grounding HR150 Rail Splice Kit, 1/4" Slot, Clear
K10236-BK1	Grounding HR150 Rail Splice Kit, 1/4" Slot, Black

Bonding Rail Splices

HR250 & HR350 Rail Splice Kit Attaching to 3/8" rail slot



Part Number	Description
K10178-001	Grounding Rail Splice Kit, HR250/HR350 3/8" Slot, Clear
K10178-BK1	Grounding Rail Splice Kit, HR250/HR350 3/8" Slot, Black

HR250 & HR350 Rail Splice Kit Attaching to 1/4" rail slot



Part Number	Description
K10177-001	Grounding Rail Splice Kit, HR250/HR350 1/4" Slot, Clear
K10177-BK1	Grounding Rail Splice Kit, HR250/HR350 1/4" Slot, Black

HR500 Rail Splice Kit Attaching to 1/4" rail slot



Part Number	Description
K10327-001	Grounding Rail Splice Kit, HR500, 1/4" Slot, Clear

Pitched Roof System

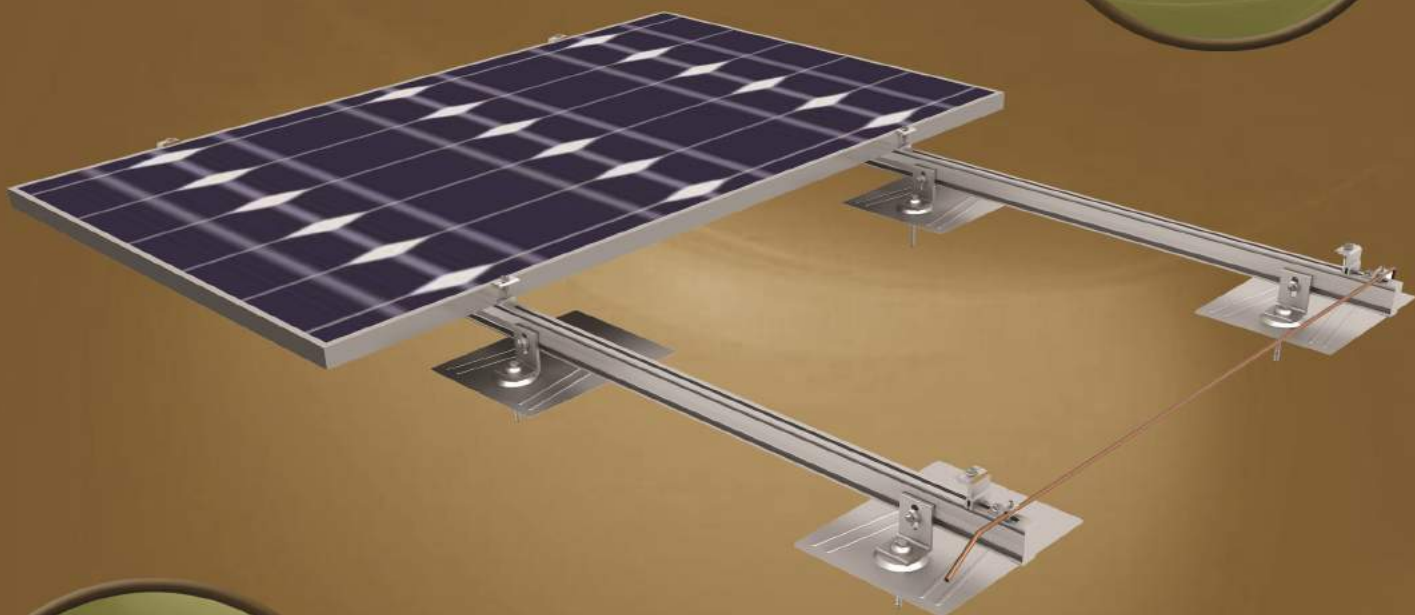
Clamps



Grounding Clamps with unique built-in grounding pins

HR150 Rail with wire management feature

Rail

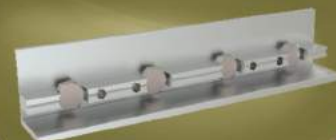


EZ3 Roof Mount



EZ3 Roof Mount is simple, versatile and fast to install. The mount is High-Velocity Hurricane Zone Approved.

Splice



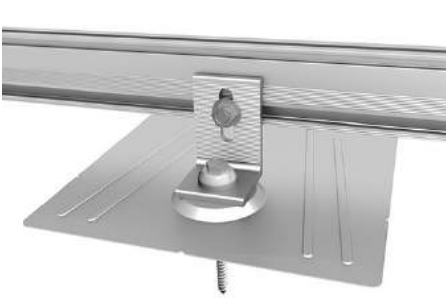
Grounding Rail Splice for longer rows of rail

Roof Mount – Pitched Roof

EZ Roof Mount System Overview (Panel Portrait)

With a full range of components, SunModo’s self-grounding pitched roof system can be configured in an endless variety of designs. In addition, SunModo offers a variety of mounts to best fit your system needs and requirements. The system is IBC compliant for roof waterproofing tested by IAPMO, UL 1703 compliant for Class A Fire Rated for Type 1 and 2 PV Modules and UL 2703 compliant for electrical bonding tested by ETL.

U.S. Patent Number 9,076,899



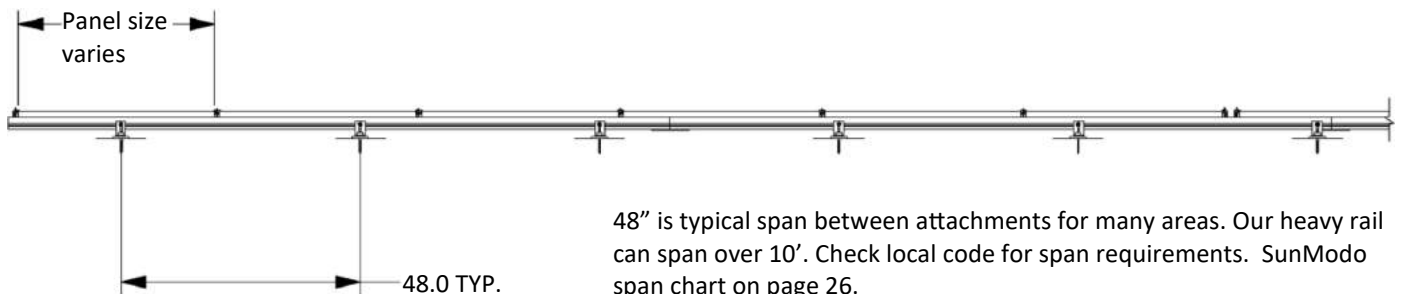
EZ3 Roof Mount to Rail. Variety of mounts available to best fit the system needs and requirements.



Grounding Mid Clamp to Rail. The universal mid clamp accommodates module frames from 31 to 50mm.



End Clamp to Rail. Clamp size is determined by panel frame size. We also offer universal end clamp.



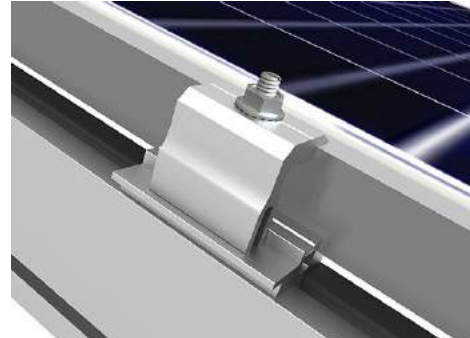
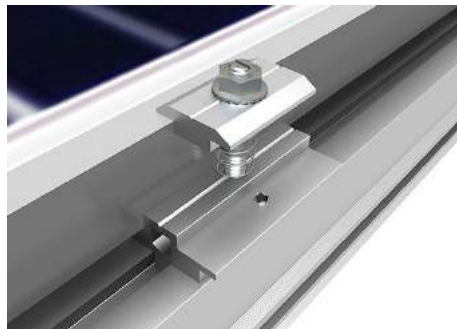
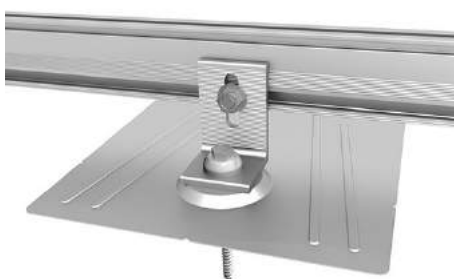
48" is typical span between attachments for many areas. Our heavy rail can span over 10'. Check local code for span requirements. SunModo span chart on page 26.

Roof Mount – Pitched Roof

EZ Roof Mount System Overview (Panel Landscape)

With a full range of components, SunModo’s self-grounding pitched roof system can be configured in an endless variety of designs. The system conveniently accommodates landscape configuration to minimize roof time and parts required. The system is IBC compliant for roof waterproofing tested by IAPMO, UL 1703 compliant for Class A Fire Rated for Type 1 and 2 PV Modules and UL 2703 compliant for electrical bonding tested by ETL.

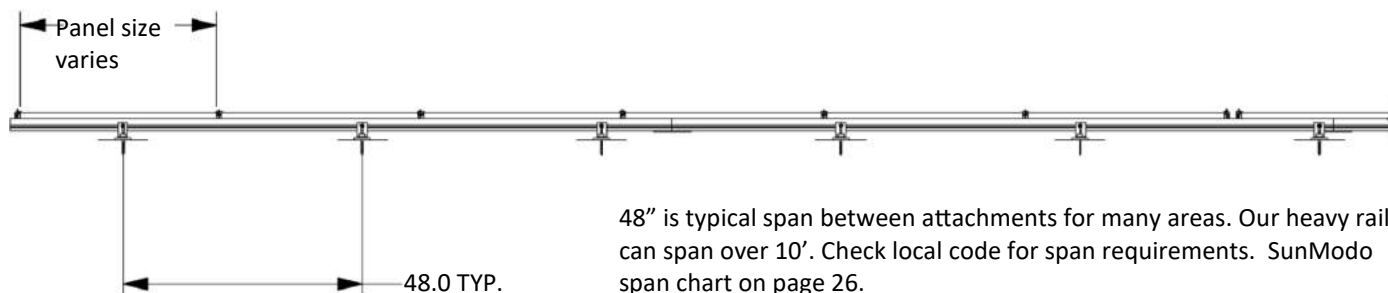
U.S. Patent Number 9,076,899



EZ3 Roof Mount to Rail. Variety of mounts available to best fit the system needs and requirements.

The universal mid clamp accommodates module frames from 31 to 50mm. The shared rail adaptor conveniently converts standard rail to shared rail to allow landscape mounting

End Clamp to Rail. The shared rail adaptor conveniently converts standard rail to shared rail to allow landscape mounting



48" is typical span between attachments for many areas. Our heavy rail can span over 10'. Check local code for span requirements. SunModo span chart on page 26.

Bonding Mid Clamp Kit

Our Pre-Assembled Universal Mid Clamps have a unique T-Bolt locking feature that ensure the T-Bolt remains vertical and in full contact with rail to eliminate pull out. The spring-loaded top clamp and open collar nut accommodates module frames from 31 to 50mm.



Part Number	Description
K10180-001	Universal Mid Clamp Kit , Clear
K10180-001-BK	Universal Mid Clamp Kit, Black

Bonding Mid Clamp Kit with Shared Rail Adaptor

The shared rail adaptor conveniently converts standard rail to shared rail to allow landscape mounting of PV panels on E-W rails.



Part Number	Description
K10182-001	Mid Clamp Kit with Shared Rail Adaptor, Clear
K10182-001-BK	Mid Clamp Kit with Shared Rail Adaptor, Black

End Clamp Kit

Our Pre-Assembled End Clamps have added Loctite to easily engage the T-Bolt from the top of the collar nut.



Part Number	Description
K10224-1XX (31-50)	End Clamp Kit, Clear
K10224-1XX (31-50)-BK	End Clamp Kit, Black

Adjustable End Clamp Kit

Our new adjustable end clamps accommodates different PV module frame heights ranging from 30mm to 50mm, by simply changing the locking position of the upper clamp piece.



Part Number	Description
K10299-001	End Clamp Kit, 33-50mm, Clear
K10299-BK1	End Clamp Kit, 33-50mm, Black
K10299-002	End Clamp Kit, 30-46mm, Clear
K10299-BK2	End Clamp Kit, 30-46mm, Black

Shared Rail Adaptor

The shared rail adaptor can be combined easily with end clamp kit to convert standard rail to shared rail to allow landscape mounting of PV panels on E-W rails.



Part Number	Description
K10176-001	Shared Rail Adaptor

Grounding Lug

Completing our family of grounding products is our Grounding Lug, which self-grounds to the rail, ensuring proper grounding of the PV System per UL 2703 and NEC 690.47



Part Number	Description
K10179-001	Self-grounding Lug Kit

Roof Mount – Pitched Roof

SunDock™ Standing Seam Rail-Free System

The SunDock™ Standing Seam Rail-Free system is a Mid Clamp and End Clamp all rolled into one. This unique pre-assembled universal clamping system can secure PV panels ranging in height from 30mm to 50mm and it attaches to almost any standing seam roof profile.

SunDock’s integrated bonding pins address the stringent bonding requirements of UL2703 creating a continuous bond path throughout the array.



1” Standing Seam Rail-Free Kit



Part Number	Description
K50214-001	1” Standing Seam Rail-Free Kit

2” Standing Seam Rail-Free Kit

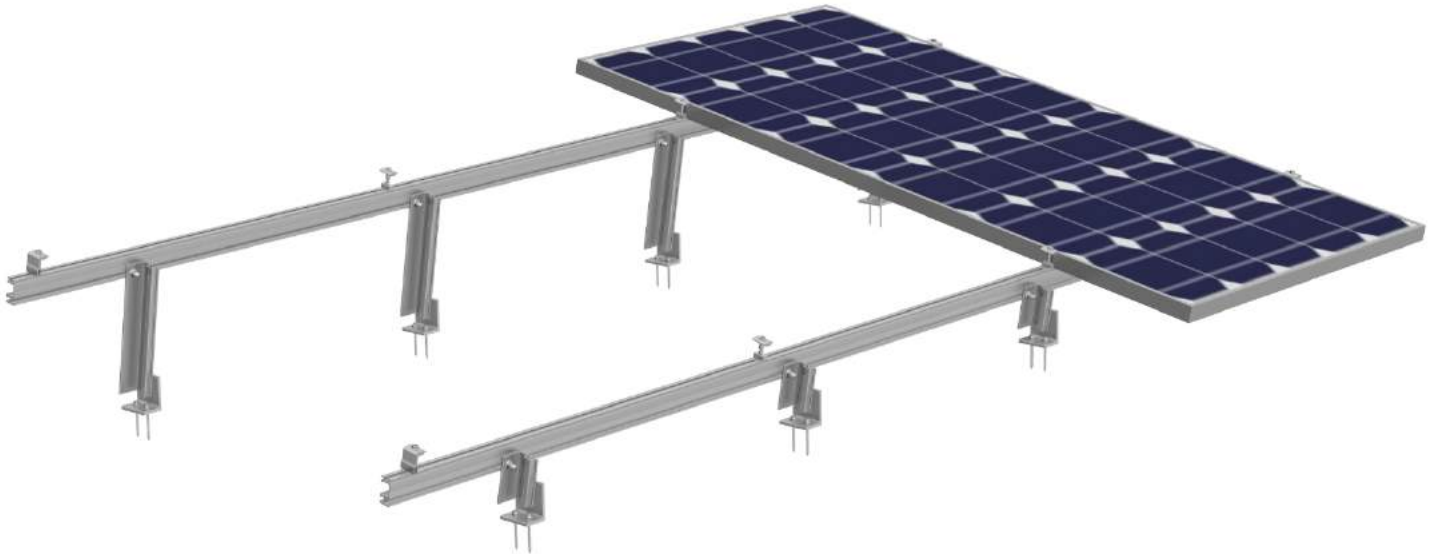


Part Number	Description
K50215-001	2” Standing Seam Rail-Free Kit

Roof Mount – Flat Roof

EZ Tilt-Up 2.0 System Overview

EZ Tilt-up 2.0 is an improved single row tilt-up system ideal for light roof structure application. The system offers various tilt degree options to maximize the power output at lower cost. Designed to meet the needs of a variety of roof structures, the installation is easy and quick to save your labor cost and time.



Flat and low-slope roof mounting L Foot, combined with tilt-up rails , provides versatile pitch angles. With a variety of attachment options, the system can be configured in endless ways to met your specific needs.



Roof Mount – Flat Roof EZ Tilt-Up 2.0 System Components

SunModo offers three standard tilt-up rail lengths of 8, 14 and 25 inches to achieve tilt angles of 10 and 20 degrees. A 10-foot full length tilt-up rail is also available for on-site cutting, allowing maximum flexibility. The top mount and side mount standoffs are available in 3 lengths.

Tilt-Up Rail Kits



Part Number	Description
K10284-008	8" Tilt Up Rail Kit (Front Leg)
K10284-014	14" Tilt Up Rail Kit (Rear Leg)
K10284-025	25" Tilt Up Rail Kit (Rear Leg)
A20276-120	120" Tilt Up Rail

Top Mount Standoff



Part Number	Description
A20055-004	4" Top Mount Standoff
A20055-006	6" Top Mount Standoff
A20055-008	8" Top Mount Standoff

Side Mount Standoff



Part Number	Description
A20056-005	5" Side Mount Standoff
A20056-007	7" Side Mount Standoff
A20056-009	9" Side Mount Standoff

SunTurf Multi-Purpose System

Roof & Ground Mount



Versatile & Flexible



Maximizes Roof Space

Roof Mount & Ground Mount SunTurf® System Overview

SunModo introduces the next generation Multi-Purpose System with SunTurf. The streamlined design combines the simplicity of a pipe-based system with next-level engineering.

SunTurf is perfect to elevate above obstructions like HVAC, Pipes and Vents. It can be easily adjusted to account for multiple roof pitches on the site and is engineered to withstand 150 MPH wind.

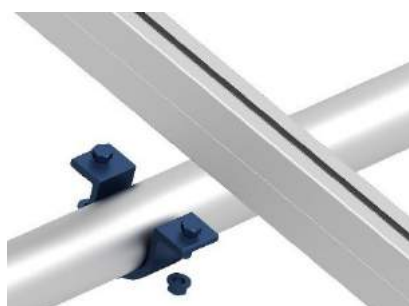


The system is designed for installers who want a low cost system with high performance. Combine SunTurf with our Ground Screws or Augers and do a complete install of a 15kW system with only one day.

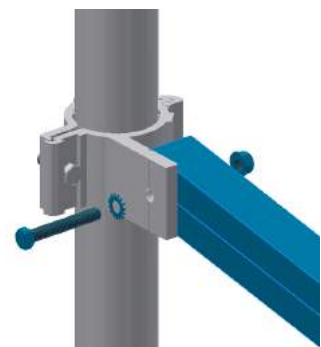
SunTurf can also be used as a Multi-Pole Ground Mount system on a single row of vertical pipe.



Position the Pipe Cap on top of the vertical pipe and lay the horizontal pipe into the Pipe Cap assembly.



Attach the rail to the pipe using the aluminum pipe clamp kit. To prevent galvanic reaction, the PVC insulator must be installed between the steel pipe and the aluminum rail.



When bracing is required to a post, the pipe clamp kit is used.

SunTurf System Components

Swivel Pipe Cap Kit

This swivel pipe cap saves time and money by eliminating the need to grade the land before installing the PV array on sloped terrain.



Part Number	Description
K10373-001	Swivel Pipe Cap Kit

Pipe T-Clamp Kit

Position the T-Clamp Kit on top of the vertical pipe and lay the horizontal pipe into the Pipe Cap assembly.



Part Number	Description
K10341-001	2" Pipe T-Clamp Kit

Pipe Clamp Kit

The powder coated cast aluminum 2 piece clamps allows for quick installation of the braces, available in 2.0" and 2.5".



Part Number	Description
K10219-001	2" AL Pipe Clamp Kit
K10222-001	2.5" AL Pipe Clamp Kit

SunTurf System Components

Pipe U-Clamp Kit

Attach the rail to the pipe using the U-Clamp Kit. To prevent galvanic reaction between dissimilar metals, the included PVC Insulator must be installed between the steel pipe and the aluminum rail.



Part Number	Description
K10343-001	2.5" Pipe U-Clamp Kit

Pipe Splice Kit

Pipe Splice Kit provides bonding and strength between horizontal pipes when needed.



Part Number	Description
K10342-001	2.5" Pipe Splice Kit

Diagonal Brace

The diagonal tube brace provides extra support as needed.



Part Number	Description
A20164-XXX	AL Tube Brace
A50164-XXX	HSS Tube Brace

SunTurf System Components

Aluminum Post Base Plate Kit

Post Base Kits for 2.0" Aluminum Schedule 10 Post.



Part Number	Description
K10302-001	2" Al Post Base Plate Kit
K10302-002	2" OMG Al Post Base Plate Kit

Steel Post Base Plate Kit

The steel post base can be used where a more robust connection is needed to resist higher wind and seismic loads.



Part Number	Description
K10268-005	2" OD Steel Post Base Plate Kit

Embedment Ring

The concrete embedment rings are used to resist higher wind and seismic loads.



Part Number	Description
K10186-001	2" Embedment Ring Kit
K10186-002	2.5" Embedment Ring Kit

SunTurf System Components

Helical Earth Auger

Helical earth augers are suitable for use in weak to moderate strength soils and areas with a high water table.



Part Number	Description
A21146-080	10" Blade Auger, 80" Long
A21146-063	10" Blade Auger, 63" Long

Ground Screw Anchors

Ground screw anchors are suitable for use in hard packed earth or soils with large amounts of cobble and gravel.



Part Number	Description
A21147-080	Screw Anchor, 80" Long
A21147-063	Screw Anchor, 63" Long

Anchor Extension

SunModo also provides 36" anchor extension to splice two pipes together.



Part Number	Description
A21148-042	42" Long Anchor extension

SunTurf System Components

12-Gauge High Strength Steel (HSS) Pipe

SunModo provides either a 2" (2.375" O.D.) or 2.5" (2.875" O.D.) 12-gauge, HSS, hot dip galvanized pipe with a minimum 50 KSI yield strength.



Part Number	Description
A21065-xxx	2" 12-Gauge HSS Hot Dip Galvanized Pipe or equivalent
A21068-xxx	2.5" 12-Gauge HSS Hot Dip Galvanized Pipe or equivalent

Aluminum Post (2)

2" or 2.5" anodized aluminum schedule 10 posts are offered in standard length 148".



Part Number	Description
A20189-148	2" Al Post
A20209-148	2.5" Al Post

Battered Anchor Adaptor (3)

Battered anchor adaptor can be used to mate the drive head to fit earth auger and ground screws for easy installation.

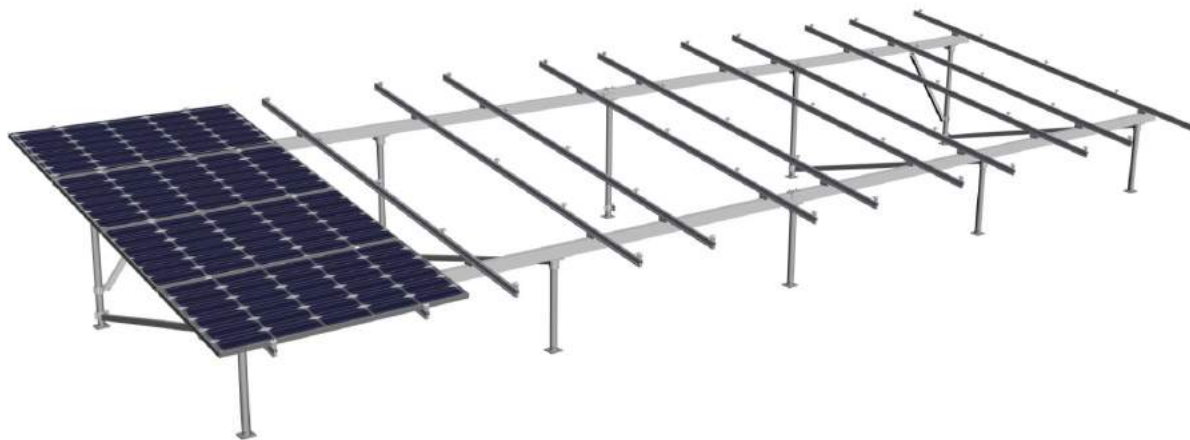


Part Number	Description
A21031-003	Battered Anchor Adaptor

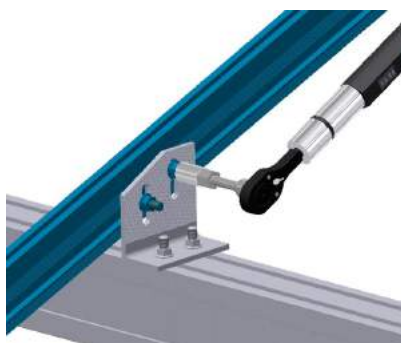
Roof Mount & Ground Mount SunBeam System Overview

The SunBeam system is robust, versatile, and specially engineered for multiple configurations. This system is perfect to elevate above obstructions like HVAC, Pipes and Vents. Its aluminum construction reduces stress on the building structure while withstanding wind loads and salty air.

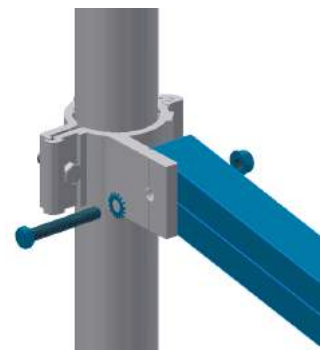
A heavy duty beam allows longer spans, which reduces the number of posts. This system can be easily adjusted to account for multiple roof pitches on the site and is engineered to withstand 150 MPH wind. The system can be integrated with steel support for a scalable and simple ground-mounted solution.



Install the SunBeam Rail on the Pipe Caps



Install the Angle Mount to the top of the SunBeam using hardware supplied with the angle mount.



When bracing is required to a post, the pipe clamp kit is used.

SunBeam System

Universal Components (Roof & Ground Mount)

SB2500 (SunBeam)

Heavy Duty SB2500 SunBeam is strong and tough for spans up to 12 feet.



Part Number	Description
A20143-XXX	SB2500 (SunBeam), 3" x 4"

SB3000 (Square Beam)

Heavy Duty SB3000 Square Beam can be used for longer spans up to 18 feet.



Part Number	Description
A20339-XXX	SB3000 (Square Beam), 5.125" x 6"

SB3500 (Triangular Beam)

Super Heavy Duty SB3500 Triangular Beam can be used for longer spans up to 25 feet.



Part Number	Description
A20243-XXX	SB3500 (Triangular Beam), 3.75"/6" x 9"

SB5000 (Box Beam)

Super Heavy Duty SB5000 BoxBeam can be used for spans up to 35 feet.



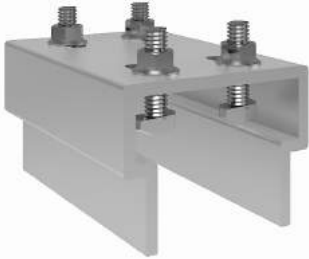
Part Number	Description
A20175-XXX	SB5000 (Box Beam), 6" x 10.25"

SunBeam System

Universal Components (Roof & Ground Mount)

SB2500 (SunBeam) Splice Kit

SunBeam Splice Kit provides bonding and strength between SunBeam when needed.



Part Number	Description
K10104-001	SB2500 Splice Kit

SB3000 (Square Beam) Splice Kit



Part Number	Description
K10347-002	SB3000 Splice Kit

SB3500 (Triangular Beam) Splice Kit



Part Number	Description
K10238-002	SB3500 Splice Kit

SB5000 (Box Beam) Splice Kit



Part Number	Description
K10240-002	SB5000 Splice Kit

SunBeam System

Universal Components (Roof & Ground Mount)

SB2500 End Cap

SB2500 (SunBeam) End Cap provides a clean finished look to the system. Clear anodized.



Part Number	Description
A20237-001	End Cap, SB2500 (SunBeam)

SB3500 End Cap

SB3500 (Triangular Beam) End Cap provides a clean finished look to the system. Clear anodized.



Part Number	Description
A20261-001	End Cap, SB3500 (Triangular Beam)

L-Foot Kit

The L-Foot Kit connects brace to underside of SunBeam.



Part Number	Description
K10066-010	L-Foot Kit

SunBeam System

Universal Components (Roof & Ground Mount)

Angle Mount Kit

Angle Mount joins SunBeam to Helio Rail. Rail can be tilted to any angle with angle mounts.



Part Number	Description
K10103-004	Angle Mount Kit

Pipe Cap Kit

The versatile powder coated cast aluminum post cap is made for easy vertical and horizontal adjustment of the heavy duty beam, available in 2.0" and 2.5".



Part Number	Description
K10218-001	2" Pipe Cap Kit, Grounding
K10223-001	2.5" Pipe Cap Kit, Grounding

Pipe Clamp Kit

The powder coated cast aluminum 2 piece clamps allows for quick installation of the braces, available in 2.0" and 2.5".



Part Number	Description
K10219-001	2" Pipe Clamp Kit, Grounding
K10222-001	2.5" Pipe Clamp Kit, Grounding

SunBeam System

Specific Components (Roof Mount)

Aluminum Post Base Plate Kit

Post Base Kits for 2.0" Aluminum Schedule 10 Post.



Part Number	Description
K10302-001	2" Al Post Base Plate Kit
K10302-002	2" OMG Al Post Base Plate Kit

Steel Post Base Plate Kit

The steel post base can be used where a more robust connection is needed to resist higher wind and seismic loads. Post Base for 2" and 2.5" nominal Steel Post.



Part Number	Description
K10268-005	2" OD Steel Post Base Plate Kit
K10268-006	2.5" OD Steel Post Base Plate Kit

Distribution Plate Kit

The distribution plate kit allows for a bigger footprint for better load distribution and allows for more anchor connections when necessary.



Part Number	Description
K10286-001	2" Distribution Plate Kit
K10287-001	2.5" Distribution Plate Kit

SunBeam System

Specific Components (Roof Mount)

Diagonal Brace

The diagonal brace provides extra support as needed.



Part Number	Description
A20164-0XX	AL Tube Brace, XX" Long

Vertical Mount Pipe Cap Kit

The Vertical Mount Pipe Cap Kit is used when a cost effective solution is required for distributing point loads on the roof. Because it attaches to the Rail using one 3/8" T-Bolt, there is no more sliding the bolts down the length of the Rail.



Part Number	Description
K10184-001	2" AL Vertical Mount Pipe Cap Kit
K10184-002	2.5" AL Vertical Mount Pipe Cap Kit

Aluminum Post

2" or 2.5" anodized aluminum schedule 10 posts are offered in standard length 148".



Part Number	Description
A20189-148	2" Al Post
A20209-148	2.5" Al Post

SunDock™ Dual-Tilt System Overview

The SunDock Dual-Tilt mounting system allows for high-power densities on rooftops with minimal self-shading. The system increases system capacity by 15%-35% compared to a traditional south-facing PV design approach. The unique pre-assembled universal clamping system can secure PV modules ranging in height from 30mm to 50mm.

The integrated bonding pins address the stringent bonding requirement of UL 2703 creating a continuous bond path throughout the array. The universal attachments maximizes module density while mitigating shading issues all by design.



Dual-Tilt Mid Clamp



Part Number	Description
K50024-001	Dual-Tilt Mid Clamp, SB
K50024-002	Dual-Tilt Mid Clamp, HR

Dual-Tilt End Clamp



Part Number	Description
K50023-001	Dual-Tilt End Clamp, SB
K50023-002	Dual-Tilt End Clamp, HR

SunPort Carport System Overview

The SunPort Carport system is a lightweight, cost effective, aesthetically pleasing carport structure. The system maximize energy harvesting and minimizes structural weight with its all aluminum construction.

With a full range of interchangeable components, the SunPort Carport and Canopy System can be configured to fit any outdoor requirement. With its long-span truss, the SB3500 Triangular Beam, the SunPort Carport System has been designed to span up to 27 feet or enough space to park three cars.

The SunPort Carport not only protects cars from the effects of direct sunlight, rain and hail stones, but it also produces power for wholesale generation, net-metering and electric vehicle (EV) charging stations. Make a bold and visible statement showing awareness of the benefits of clean energy with the revolutionary new SunPort Carport.



SP4000 System



SP2000 System

SunPort Carport System

Universal Components (SP 2000 & SP4000)

SB3500 (Triangular Beam)

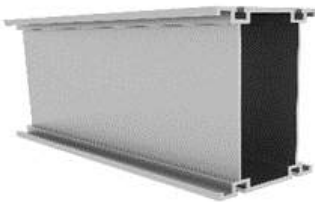
Heavy Duty SB3500 Triangular Beam can be used for longer spans up to 25 feet.



Part Number	Description
A20243-XXX	SB3500, 3.75"/6" x 9"

SB5000 (Box Beam) 2

Super Heavy Duty SB5000 BoxBeam can be used for spans up to 35 feet.



Part Number	Description
A20175-XXX	SB5000, 6" x 10.25"

SB3500 (Triangular Beam) Splice Kit



Part Number	Description
K10238-002	SB3500 Splice Kit

SB5000 (Box Beam) Splice Kit



Part Number	Description
K10240-002	SB5000 (Box Beam) Splice Kit

SunPort Carport System

Universal Components (SP 2000 & SP4000)

SB3500 End Cap

SB3500 (Triangular Beam) End Cap provides a clean finished look to the system.



Part Number	Description
A20261-001	End Cap, SB3500

SB5000 End Cap

SB5000 (Box Beam) End Cap provides a clean finished look to the system.



Part Number	Description
A20251-001	End Cap, SB5000

Bottom Clamp Kit

Use the bottom clamp to easily secure the solar module to the rail.



Part Number	Description
K10242-001	Bottom Clamp Kit for HR
K10242-002	Bottom Clamp Kit for SB

Beam Clamp Kit

The Beam Clamp Kit is used to secure the Beam to the NS top extrusion.



Part Number	Description
K10220-XXX	Beam Clamp Kit

SunPort Carport System

Universal Components (SP 2000 & SP4000)

L Foot Kit

The L-Foot Kit connects rail to the Beam using 3/8 screws and nuts provided.



Part Number	Description
K10066-007	L Foot Kit

Specific Components (SP 2000)

Beam Bracket Kit

Attach the SB5000 Box Beam to the vertical Beams using the Beam Bracket Kit.



Part Number	Description
K50036-xxx	Beam Bracket Kit

Post Base Plate Kit

Attach the UHMW Pad Insulator and the base plate kit onto the concrete block.



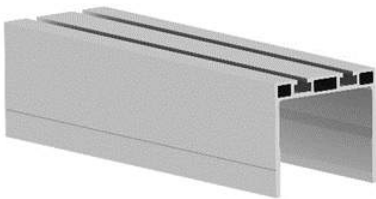
Part Number	Description
K50036-001	Post Base Plate Kit

SunPort Carport System

Specific Components (SP 4000)

Cross Beam Kit

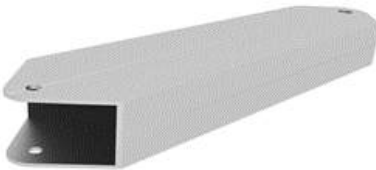
Triangular Beam is secured to the Cross Beam Extrusion with the beam clamp kits.



Part Number	Description
K60010-XXX	Cross Beam Kit

Vertical Tube Brace

The vertical tube braces is used to connect the bottom plate to the Cross Beam Extrusion.



Part Number	Description
A20330-XXX	Vertical Tube Brace

Base Plate Kit

The Base Plate kit and the UHMW Pad Insulator create a strong base for the system



Part Number	Description
K10339-001	Base Plate Kit

SunShield Awning System Overview

Now, you can transform sun-shielding awnings into attractive power-generating systems! SunModo proudly introduces the SunShield Awning System – the next big solar application.

The SunShield™ System starts with the structural truss, our sturdy pre-assembled aluminum triangular frame. Once the triangular frame is attached, the SunModo Rails and Mounting Clamps are used to secure the solar panels to the frame. The triangle frame is shipped folded and flat, and expands to an ideal 35-degree sun-catching angle. Easily supports 60- and 72- cell solar panels in portrait orientations.

In addition, the system provides valuable shade for windows or structure below and keeps the solar panel cooler and more efficient with constant airflow beneath the panels.



Part Number	Description
K10362-001	SunShield Awning Kit, Clear
K10362-BK1	SunShield Awning Kit, Black
K10267-003	SunShield Awning Kit (Plus), Clear
K10267-BK3	SunShield Awning Kit (Plus), Black

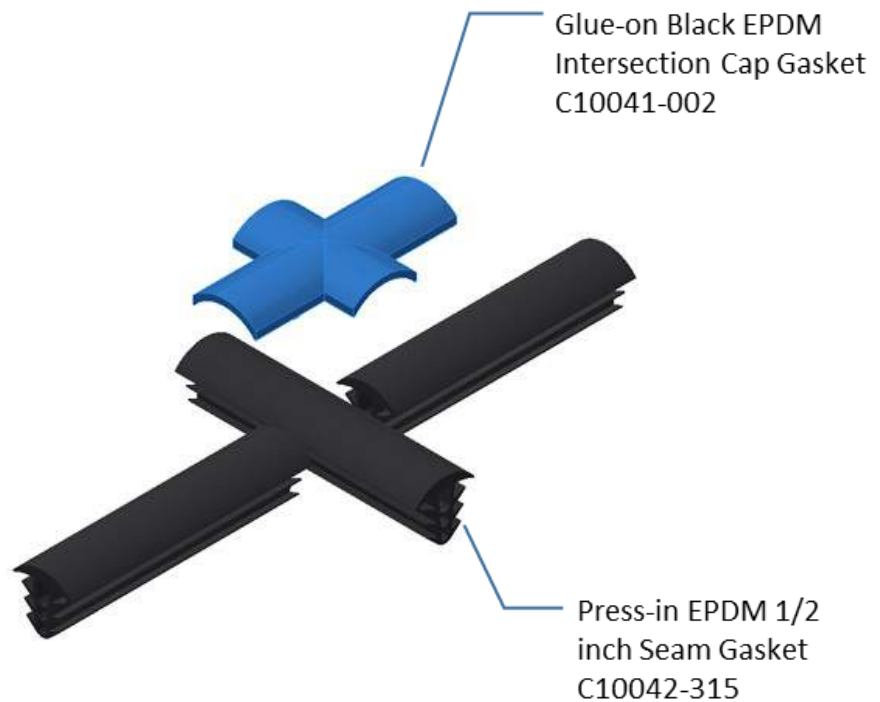
Solar Panel Seam Gasket

Eliminate the gaps and protect the space below your outdoor living space from sunlight and rain by installing weather stripping between your PV Modules. If you are installing our solar canopy, solar carport or solar awning systems this product prevents water from dripping between the solar panels.

This inexpensive weather stripping is supplied in a 26-ft (8m) long roll; enough material to cover the long edge gaps between 5 solar panels. Simply cut this EPDM gasket to length and push the gasket into the 1/2-inch or 1-inch gap between the solar panels; no gluing, no adhesive, no mess.



Press-in Seam Gasket
accommodates gaps
between panels ranging
from .25 to .75 inches



Part Number	Description
C10042-315	1/2" Gap Solar Panel Seam Gasket, 315 inch
C10040-315	1" Gap Solar Panel Seam Gasket, 315 inch
C10041-002	Glue-on Black EPDM Intersection Cap Gasket

Tool

We offer a variety of tools to help make installation of SunModo products easier and faster.

Roof Shoe Extraction Tool

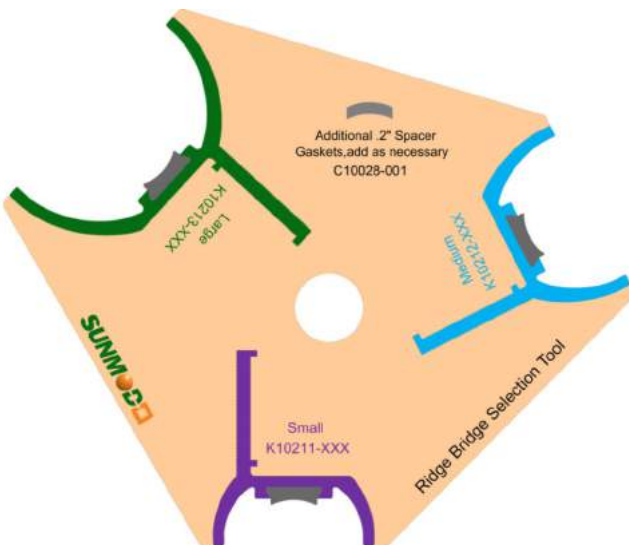
The roof shoe extraction tool is used for easy removal of the EZ Roof Mount Roof Shoe.



Part Number	Description
A50008-001	Roof Shoe Extraction Tool

RidgeBridge Mount Selection Tool

The complimentary tool will help you easily choose the right RidgeBridge Mount.

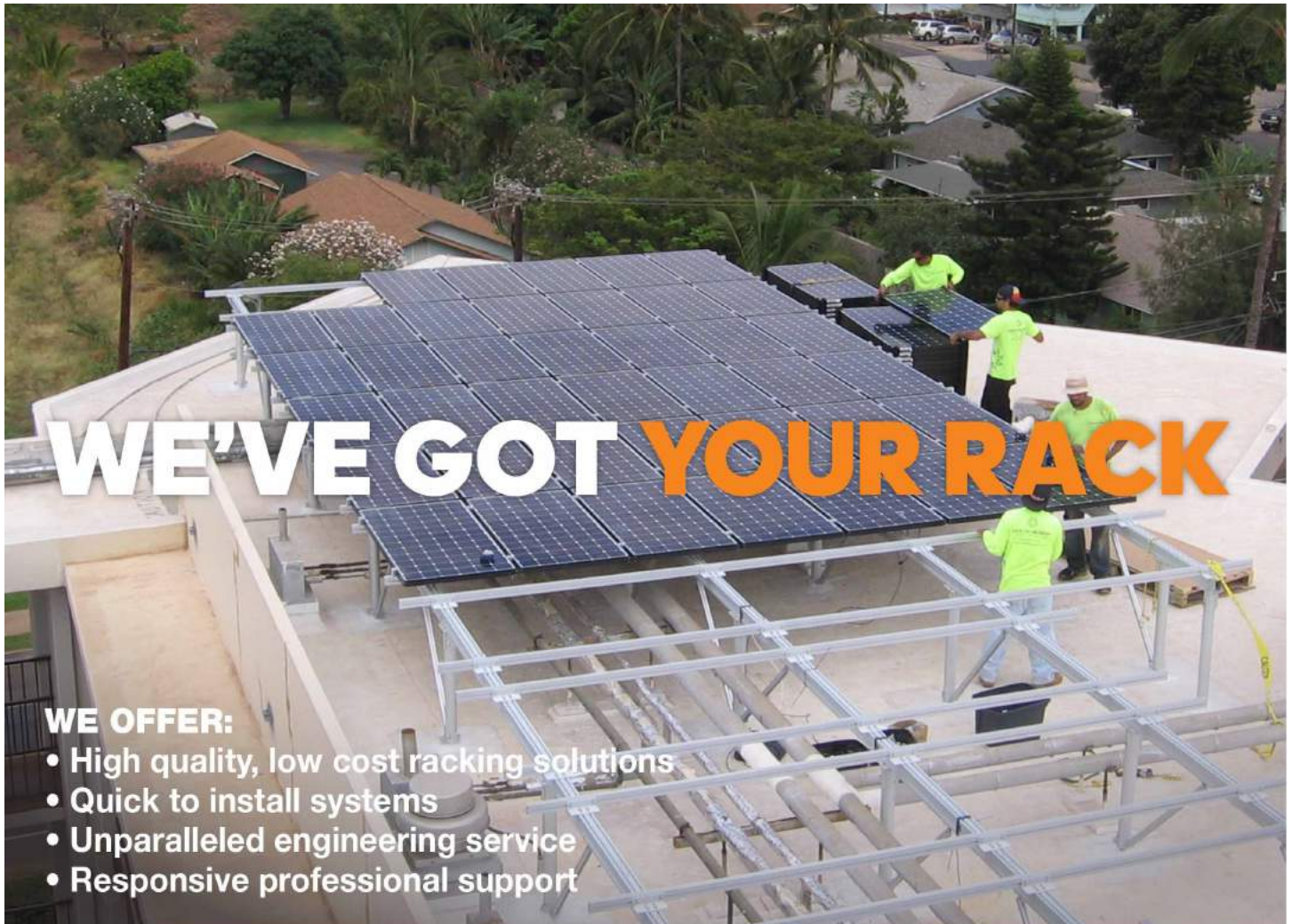


Additional
Spacer
Gage

Select leg
spacing,
then add
spacers as
necessary
to close gap

1. C10028-001
2. C10028-001
3. C10028-001

Part Number	Description
A50011-001	RidgeBridge Mount Selection Tool



Solar installation professionals prefer to rely upon a single partner for all their mounting and racking needs. **SunModo** is dedicated to providing innovative racking solutions that help you install systems quickly and painlessly. Our products already set the standard for durability, safety and security, and our R&D team is constantly engineering affordable, hassle-reducing innovations that meet industry standards. You can access our products directly or through our preferred distributors.

ABOUT SUNMODO

SunModo, meaning "*the way of the sun*," is a private U.S. company focused on innovative racking and mounting solutions for professional installers in the fast-growing solar industry. We are energized every day by a desire to make solar installation easier, more reliable and more affordable. Our commitment to innovation can be seen across our entire product line, which includes 14 industry-shaping patents.