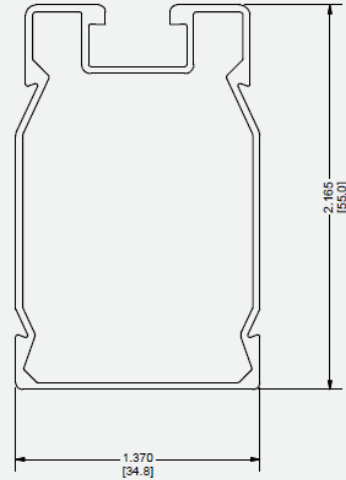


SMR100 Rail



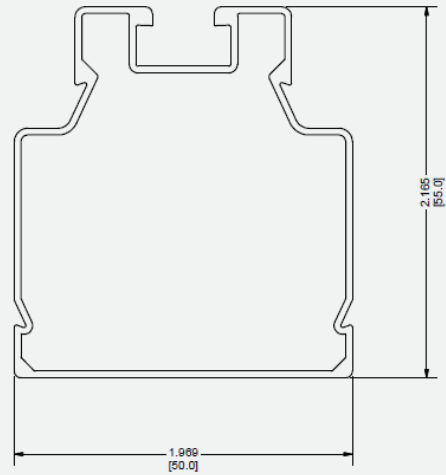
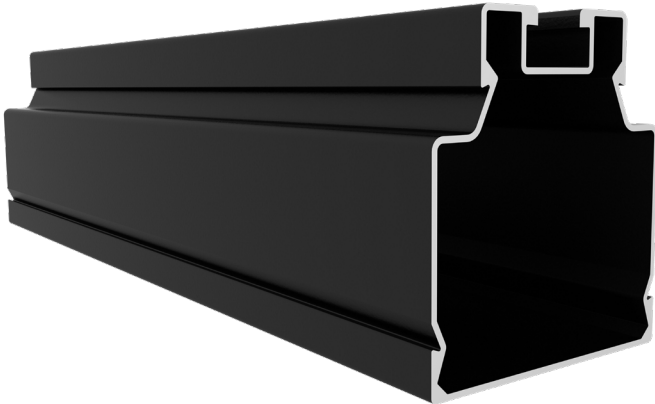
Mechanical Properties

Material: 6005-T5 Aluminum
 Weight: 0.4126 lbs/ft (0.614 kg/m)
 Ultimate Tensile Strength: 37.7 ksi (260 MPa)
 Yield Strength: 34.8 ksi (240 MPa)

Section Properties

Sx: 0.196 in³ (3.21 cm³)
 Sy: 0.146 in³ (2.39 cm³)
 Area (X-section): 0.352 in² (2.27 cm²)

SMR200 Rail



SMR200 Rail

Mechanical Properties

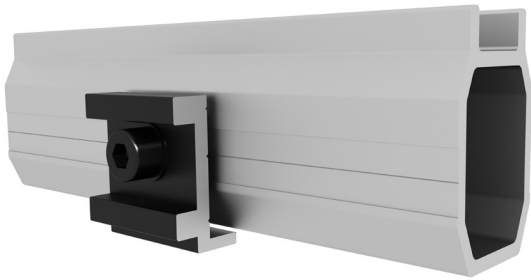
Material: 6005-T5 Aluminum
 Weight: 0.453 lbs/ft (0.626 kg/m)
 Ultimate Tensile Strength: 37.7 ksi (260 MPa)
 Yield Strength: 34.8 ksi (240 MPa)

Section Properties

Sx: 0.223 in³ (3.74 cm³)
 Sy: 0.189 in³ (3.10 cm³)
 Area (X-section): 0.388 in² (1.22 cm²)

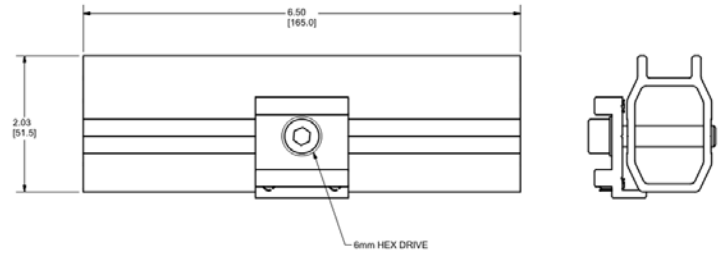
Part Number	Description
A20422-168-BK	SMR100 Rail, Black Anodized, 168"
A20431-168-BK	SMR200 Rail, Black Anodized, 168"
A20440-BK1	SMR100 Rail End Cap, Black
A20440-BK2	SMR200 Rail End Cap, Black

SMR Rail Splices



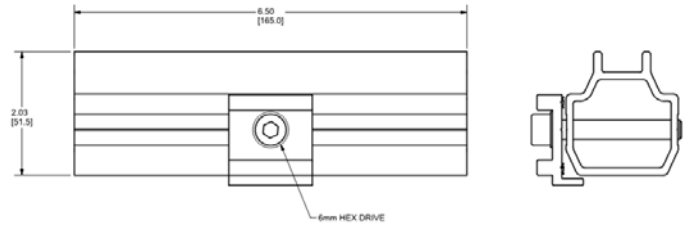
SMR100 Bonding Rail Splice

Material: Aluminum

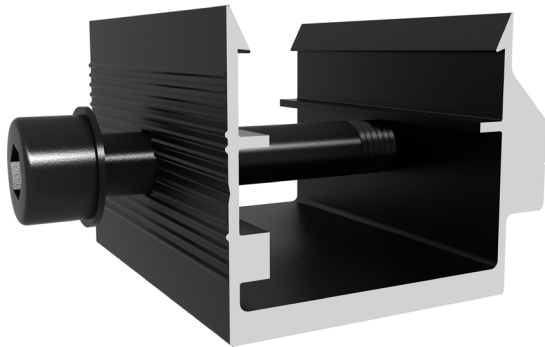


SMR200 Bonding Rail Splice

Material: Aluminum

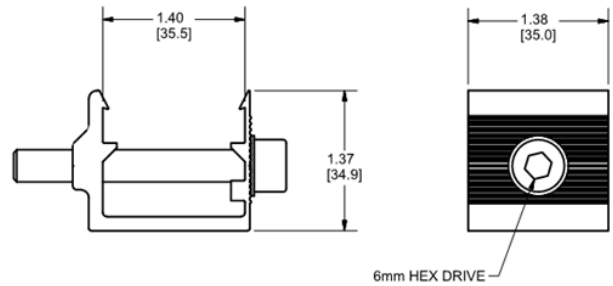


L-Foot Adaptors



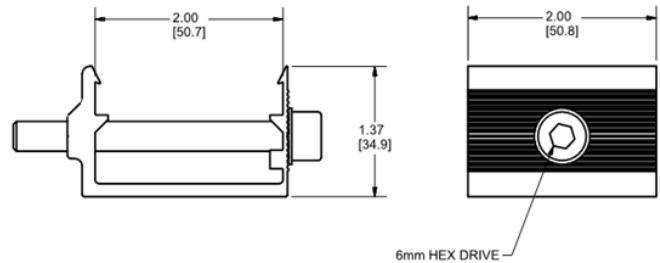
SMR 100 L-Foot Adaptor

Material: Aluminum



SMR 200 L-Foot Adaptor

Material: Aluminum



Part Number	Description
K10421-BK1	SMR100 Structural Bonding Rail Splice
K10427-BK1	SMR200 Structural Bonding Rail Splice
K10433-BK1	SMR100 L-Foot Adaptor
K10434-BK1	SMR200 L-Foot Adaptor

Pop-On Mid Clamp



Pop-On End Clamp



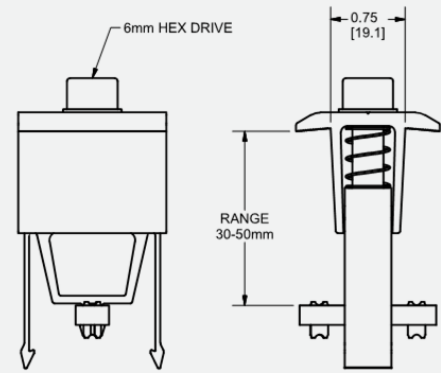
Shared Rail Mid/End Clamp



Part Number	Description
K10417-BK1	Pop-On Bonding Mid Clamp, Black
K10418-BK1	Pop-On End Clamp, Black
K10419-BK1	Shared Rail Bonding Mid Clamp, Black
K10420-BK1	Shared Rail End Clamp, Black

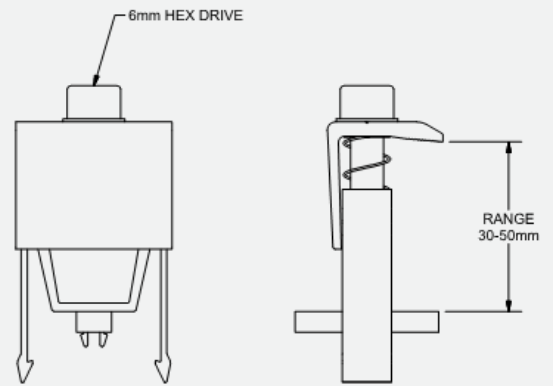
Pop-On Bonding Mid Clamp

Material: Aluminum



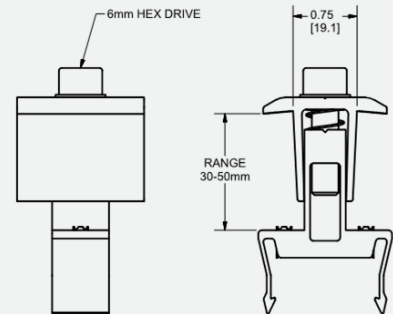
Pop-On End Clamp

Material: Aluminum



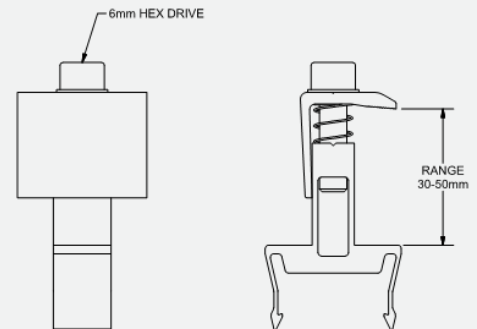
Shared Rail Bonding Mid Clamp

Material: Aluminum



Shared Rail End Clamp

Material: Aluminum



SunDock Rail-Free Accessories



Parts Description:
Top Mount Cable Clip



Parts Description:
Side Mount Cable Clip

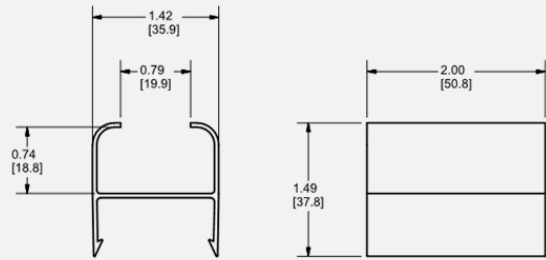


Parts Description:
Microinverter Mount

Part Number	Description
A20408-001	Top Mount Cable Clip
A20427-BK1	Side Mount Cable Clip (SMR100)
A20434-BK1	Side Mount Cable Clip (SMR200)
K50052-001	Microinverter Mount Kit

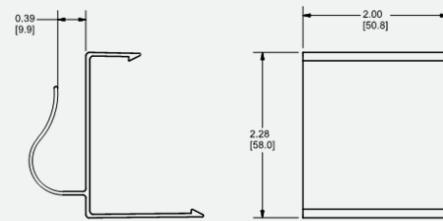
Top Mount Cable Clip

Material: Aluminum



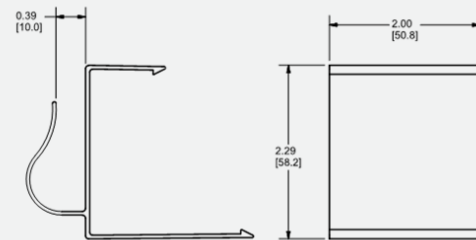
Side Mount Cable Clip (SMR100)

Material: Aluminum



Side Mount Cable Clip (SMR200)

Material: Aluminum



Microinverter Mount

Material: Aluminum

