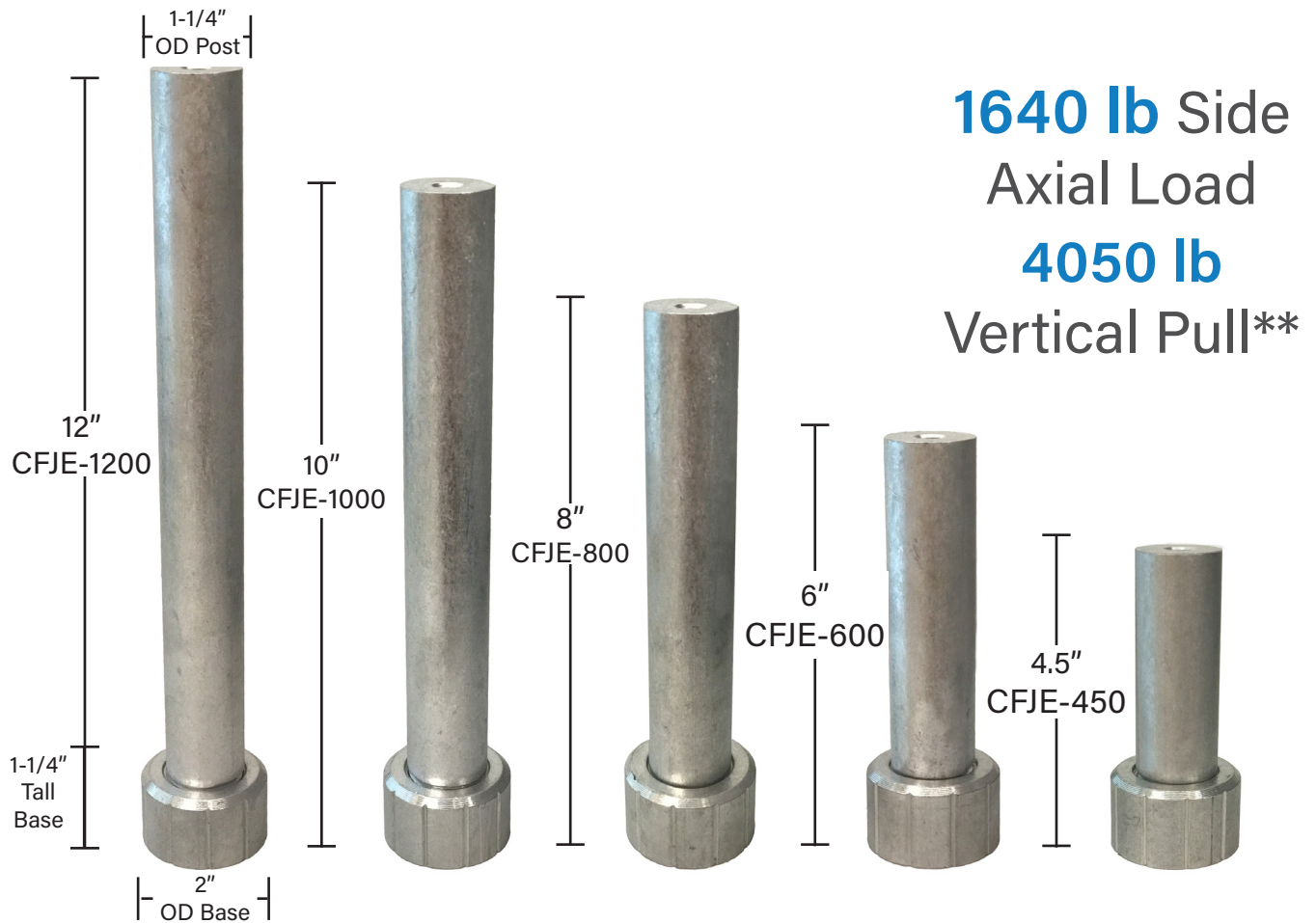


# Commercial FastJack® E-Series

The Commercial FastJack® E-Series is designed for use in commercial applications and applications with extended heights on low and steep slope roofs. Its patented single fastener design\* and solid aluminum post prevent water from funneling down through the roof.



**Waterproof** | **Low Cost** | **High Quality** | **Easy-to-Install**

**ProSolar®**

\*Fastener not included. \*\*See 3rd party lab test reports for specification details. Check with AHJ for site-specific requirements. Specifications subject to change without notice.

Copyright © 2017 ProSolar® All rights reserved. All information contained in this brochure is property of Professional Solar Products (PSP). ProSolar® and FastJack® is a registered trademark for PSP and is covered under US patent #6,360,491.

V. 2.72017

# Install Instructions

(Granulated Modified Bitumen Shown)



STEP 1: Use carbide bit to drill pilot hole (1/4" diameter pilot hole for 3/8" fastener.)



STEP 2: Apply a generous amount of roof sealant into pilot hole.



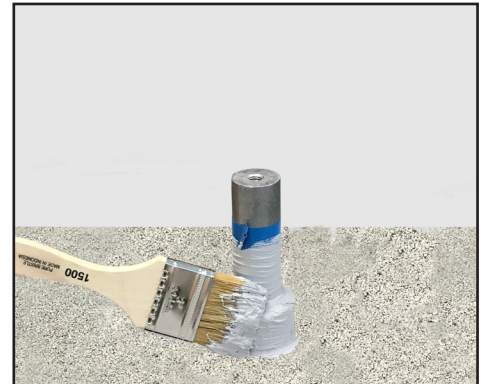
STEP 3: Using a cordless impact wrench, fasten lag bolt to rafter through base until seated.



STEP 4: Thread post into base. Tighten with pliers.



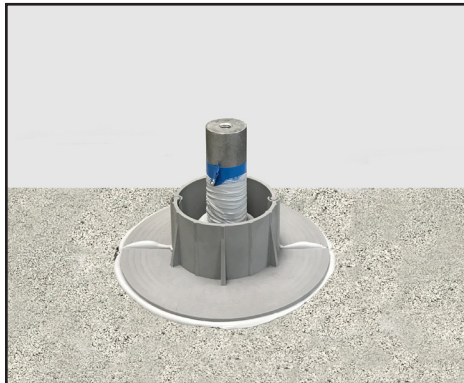
STEP 5: Post ready for E-Curb assembly.



STEP 6: Apply M-1 Sealant to post. (Optional: Place painter's tape around post approximately 3" above roof.)



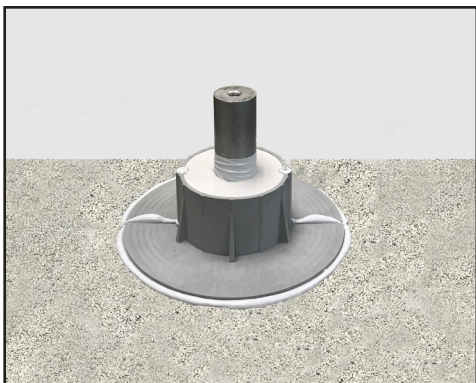
STEP 7: Apply M-1 Sealant to E-Curb, per ChemLink guidelines.



STEP 8: Adhere E-Curb to roof surface.



STEP 9: Fill E-Curb with 1-Part filler and remove tape.



Estimated Usage	
M-1 Sealant Tube (10.1 oz)	(1) Tube per (3) E-Curbs
1-Part Filler Tube (10.1 oz)	(2) Tubes per (3) E-Curbs
1-Part Filler Pouch (64 oz)	(1) Pouch per (10) E-Curbs



CFJE with Standard 1" (1-1/4" post hole) Galvanized Flashing

**For use with:** Granulated Modified Bitumen, Asphalt and Coal Tar BUR, PVC, EPDM, PIB, and TPO Roofing  
TPO primer required for ChemLink use on TPO roofs.