

17766

17767

QB RIBRIDER™
FOR EXPOSED FASTENER, TRAPEZOIDAL, AND RIBBED METAL ROOFS



A DIVISION OF QUICKSCREWS INTERNATIONAL CORP

TABLE OF CONTENTS

3

SPEC SHEET

QTY & MEASUREMENT INFORMATION

6

UL CERTIFICATION

PROOF OF UL CERTIFICATION

8

INSTALLATION INSTRUCTIONS

STEP-BY-STEP-INSTALLATION GUIDE

9

BUILDING CODE LETTER

REGARDING STAMP DATES

10

ENGINEERING REPORT

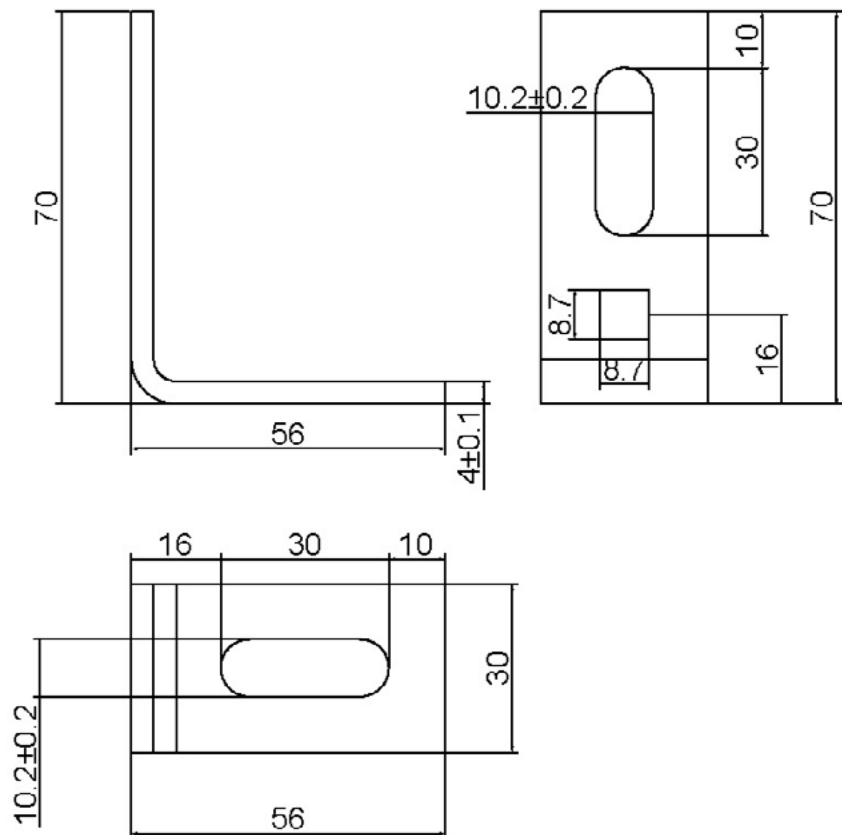
LOAD TEST – ASTM D7147-12

SPEC SHEET

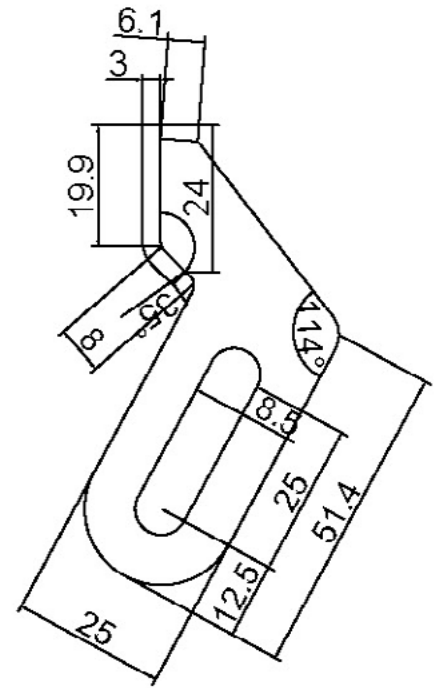
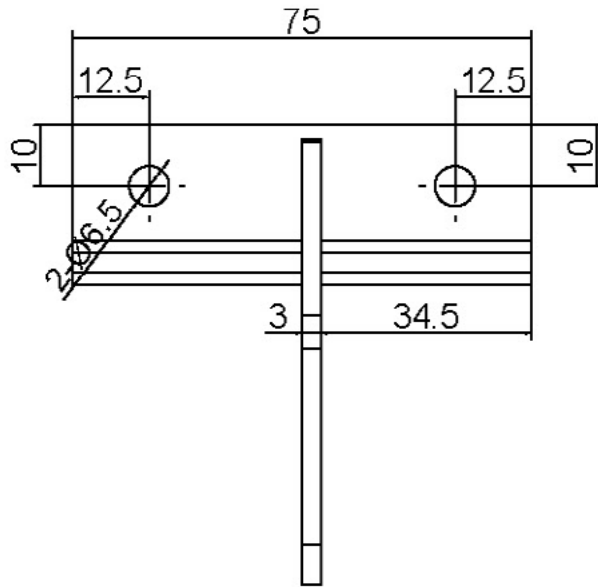
PN	Components	QTY
17766	Mount with 75mm Butyl Base + Screws	32 Mounts, 128 Screws /CS
17767	Mount with 75mm Butyl Base + Screws	1 Mount, 4 Screws / PK



Part# 17766 - Adj Corrugated 90/180 Combo 75mm Butyl Base
 Weight: 0.34kg/pc.
 Part# 17766 - 32/CS
 Part# 17767 - 1/Each
 Material: SUS 304

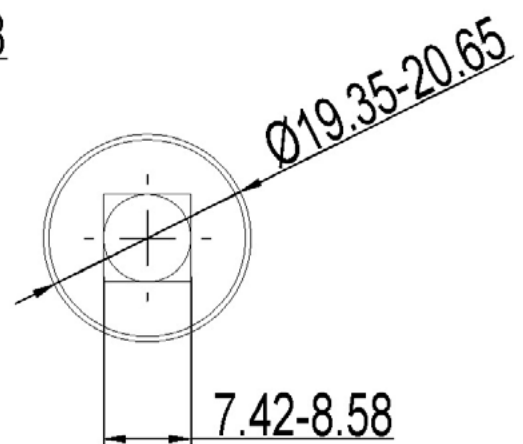
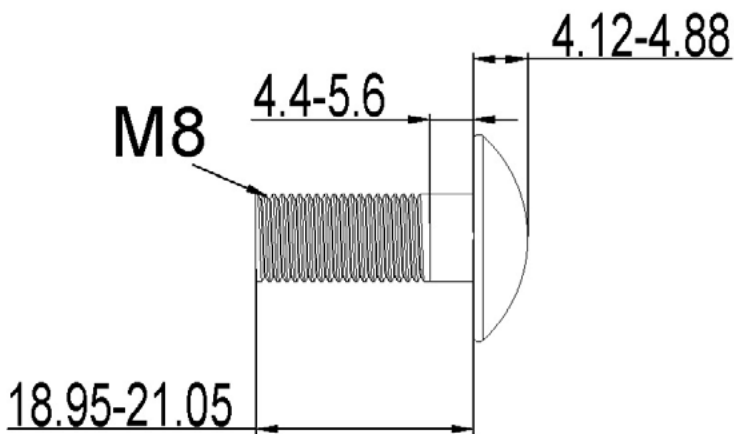


SPEC SHEET

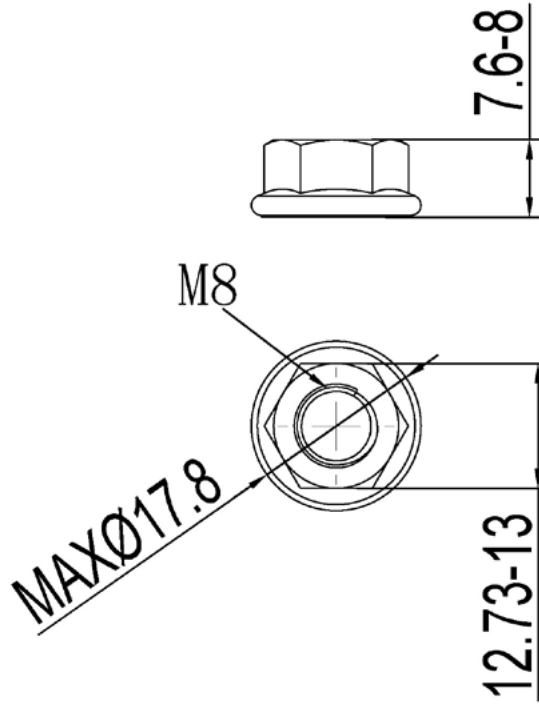


Material: SUS 304
3M Butyl Bottom Base

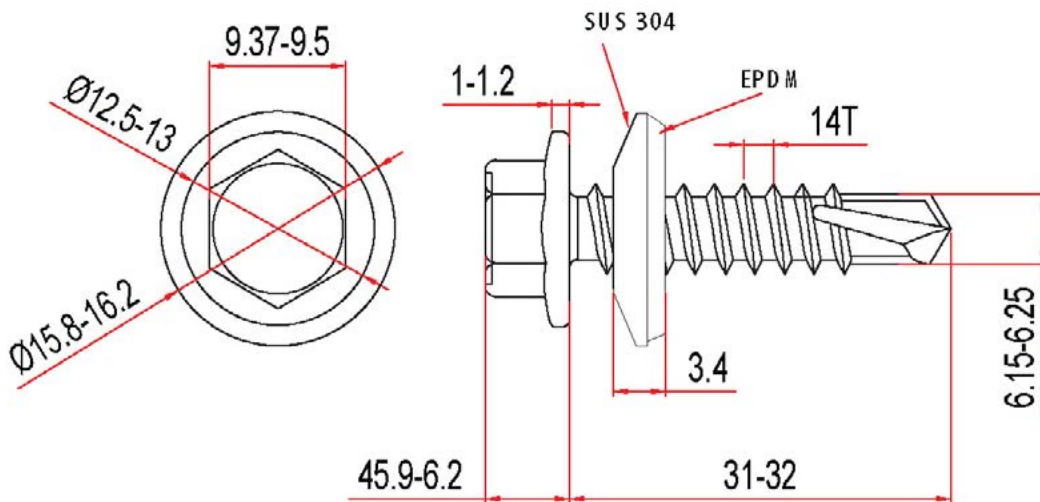
Material: SUS 304



M8 Flange Nut
Material: SUS 304



16986 - 14 x 1.25 Hex Washer Head Self Drilling Screw
Material: SUS 410





Certificate of Compliance

Certificate Number:

E493748

Report Reference:

E493748-20170817

Issue Date:

2024-02-23

Issued to:

**QuickBOLT a Division of Quickscrews International Corp
5830 Las Positas Rd
Livermore CA, 94551 United States**

This certificate confirms that representative samples of:

MOUNTING SYSTEMS, MOUNTING DEVICES, CLAMPING DEVICES AND GROUND LUGS FOR USE WITH PHOTOVOLTAIC MODULES AND PANELS - COMPONENT

See Addendum Page for Product Designation(s).

Have been evaluated by UL in accordance with the component requirements in the Standard(s) indicated on this Certificate. UL Recognized components are incomplete in certain constructional features or restricted in performance capabilities and are intended for installation in complete equipment submitted for investigation to UL LLC.

UL 2703, Mounting systems, mounting devices, clamping/retention devices, and ground lugs for use with flat-plate photovoltaic modules and panels

Additional Information:

See UL Product iQ[®] at <https://iq.ulprospector.com> for additional information.

This Certificate of Compliance indicates that representative samples of the product described in the certification report have met the requirements for UL certification. It does not provide authorization to apply the UL Recognized Component Mark. Only the Authorization Page that references the Follow-Up Services Procedure for ongoing surveillance provides authorization to apply the UL Mark.

Only those products bearing the UL Recognized Component Mark should be considered as being UL Certified and covered under UL's Follow-Up Services.

Look for the UL Recognized Component Mark on the product.

David Piecuch
UL Mark Certification Program Manager



Any information and documentation involving UL Mark services are provided on behalf of UL LLC (UL) or any authorized licensee of UL. For questions, please contact UL Solutions Customer Service at <https://www.ul.com/contact-us>

CERTIFICATE OF COMPLIANCE

Certificate number E493748
Report reference E493748-20170817
Date 2024-02-23

This is to certify that representative samples of the product as specified on this certificate were tested according to the current UL requirements.

Roof Mounting Hook Units, Models 15891 15893 15987 16000 16317 16318 16319 16320 16988 16990 16991 16993
17508 17509 17510 17511 17512 17513 17514 17515 17516 17517 17518 17519 17520 17521 17522 17523 17524
17525 17526 17527 17536 17537 17538 17539 17540 17541 17542 17543 17544 17545 17546 17547 17548 17549
17550 17551 17552 17553 17554 17555 17556 17558 17559 17560 17566 17567 17568 17569 17570 17571 17572
17573 17574 17575 17576 17577 17578 17579 17580 17585 17586 17587 17588 17589 17592 17596 17597 17598
17599 17600 17601 17606 17607 17608 17609 17610 17611 17612 17613 17614 17615 17616 17617 17618 17620
17621 17622 17623 17624 17625 17626 17627 17628 17629 17630 17631 17632 17633 17636 17637 17638 17639
17640 17641 17642 17643 17646 17647 17648 17649 17650 17651 17652 17653 17654 17659 17664 17667 17669
17670 17671 17672 17673 17678 17679 17680 17681 17686 17687 17688 17689 17700 17701 17702 17703 17704
17705 17706 17707 17708 17709 17710 17711 17712 17717 17718 17750 17751 17752 17753 17759 17766 17767
15891-10 15891BLK-10 15987A 15987B 17667SS 17672SS 17680SS 17688SS 17713SS 17720 17721SS 17723
17724SS 17726 17727SS 17729 17730SS 15894SS 15891SS 15987BSS 17660 17661 17662 17663 17747 17748



David Piecuch
UL Mark Certification Program Manager

Any information and documentation involving UL Mark services are provided on behalf of UL LLC (UL) or any authorized licensee of UL. For questions, please contact UL Solutions Customer Service at <https://www.ul.com/contact-us>.



INSTALL INSTRUCTIONS



RECOMMENDED MATERIALS

- 3/8" socket or nut setter (For 1/4 x 3/4" Screw)
- 1/2" socket or wrench (For M8 Flange Nut)

INSTALLATION INSTRUCTIONS

1. The RibRider's™ width is adjustable. Loosen center nut to adjust width.
2. For bottom rail mounting, rotate the L-Foot flat side up. By default, the L-Foot is flat side down for side rail mounting.
3. Remove protective paper from Butyl.
4. Place mounting arms Butyl side down on rib in marked location.
5. Fasten mount to rib using included screws. To prevent stripping use low torque.
6. Fasten center nut and check angle of L-Foot.

* Do not predrill

* Torque values should not exceed 20 PSI. Screws will drive in with little or no pressure required. Too much pressure could cause spinout.



BUILDING CODE LETTER



March 22nd, 2023

To whom this may concern,

QuickBOLT is committed to excellence. The parts tested are durable goods, meaning the material composition and detailed specifications of the parts do not change. Therefore, all stamps are current. Any part tested will have the same results no matter what year the tests are performed. All testing and reports are current and valid with 2022 CBC standards.

SolarRoofHook is the previous name of QuickBOLT. Any test result referencing SolarRoofHook is referring to a QuickBOLT product.

All our parts were tested by a third-party test facility, in possession of a current engineering license for the state where the tests were performed for the following.

1. Uplift test
2. Downward load test
3. Lateral Test – Asphalt Mounts, and Metal Mounts only
4. ASTM E2440 and ASTM E330 Waterproof Tests - QuickBOLT only

The following is an excerpt from:

CALIFORNIA BOARD FOR PROFESSIONAL ENGINEERS AND LAND SURVEYORS
guide to Engineering & Land Surveying for City and County Officials
Page 12, Line 27

27. If the license has expired between the time the engineering documents were prepared and the time when the local agency's review is performed, do the documents need to be re-sealed by a licensee with a current license? (B&P Code §§ 6733, 6735, 6735.3, 6735.4)

As long as the license was current at the time the engineering documents were prepared, the documents do not need to be re-sealed prior to review by the local agency. However, any changes (updates or modifications) to the documents that are made following the review by the local agency would have to be prepared by a licensed engineer with a current license and those changes would have to be signed and sealed.

We trust the information provided will resolve any request for the test reports submitted to have a stamp from the current year.

Regards,

Rick Gentry
Executive Vice President

ENGINEERING REPORT



8148 NW 74 Avenue
Medley, FL, 33166
305.885.3328 ph. | 305.885.3329 fx

CLIENT: Quickscrews International Corporation
5830 Las Positas Road
Livermore, CA 94551

Project No: MED-2090a	Report Date: August 6, 2024
------------------------------	------------------------------------

SAMPLE ID: Series: QB RibRider™

SAMPLE DESCRIPTION: See page 3 for full description.

SAMPLING DETAIL: The test sample manufactured by **Quickscrews International Corporation** was submitted directly to QAI by the client. Samples were not independently selected for testing.

DATE OF RECEIPT: Samples were received at the QAI Miami Laboratories on May 15, 2024, and June 18, 2024.

TESTING PERIOD: June 26, 2024.

TESTING LOCATION: QAI Laboratories – Miami, Florida, USA

AUTHORIZATION: Proposal Number 24AM02151R1 dated April 29, 2024, signed by Richard Gentry, Vice President of Product Dev. for Quickscrews International Corporation, dated April 29, 2024.

TEST PROCEDURE: Testing to the following requirements:

- ASTM D7147-12 Standard Specifications for Testing and Establishing Allowable Loads of Joist Hangers

TEST RESULTS: The QB RibRider™ achieved the results noted below when tested in accordance with ASTM D7147 for lateral and tensile loads.

Lateral Load with L-foot down	716 lbf
Lateral Load with L-foot up	410 lbf
Tensile Load	1510 lbf

CONTENTS: Test report pages 1 through 7.

Prepared By

Lusinda Delgado

Lusinda Delgado
Technical Report Writer

Signed for and on behalf of
QAI Laboratories

Date:
2024.08.12
13:27:58 -04'00'

Jose Sanchez
Operation Manager

THIS REPORT IS THE CONFIDENTIAL PROPERTY OF THE CLIENT ADDRESSED. THE REPORT MAY ONLY BE REPRODUCED IN FULL. PUBLICATION OF EXTRACTS FROM THIS REPORT IS NOT PERMITTED WITHOUT WRITTEN APPROVAL FROM QAI. ANY LIABILITY ATTACHED THERETO IS LIMITED TO THE FEE CHARGED FOR THE INDIVIDUAL PROJECT FILE REFERENCED. THE RESULTS OF THIS REPORT PERTAIN ONLY TO THE SPECIFIC SAMPLE(S) EVALUATED. UNLESS SPECIFICALLY STATED OR IDENTIFIED OTHERWISE, QAI HAS UTILIZED A SIMPLE ACCEPTANCE RULE TO MAKE CONFORMITY DECISIONS ON TESTING RESULTS CONTAINED IN THIS REPORT, AS APPLICABLE.

WWW.QAI.ORG
info@qai.org

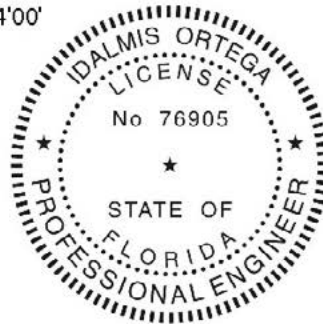


Table of Contents	Page	Rev
Description of Sample	3	
Material Characteristics	3	
Test Procedure	3	1
Test Results	3	
Picture	3	
Test Procedure	4	1
Test Results	4	
Picture	4	
Test Procedure	5	1
Test Results	5	
Picture	5	
Failure Pictures	6	
Notes Table	7	
Revision Table	7	1

Technician:
Jose Sanchez
Stanley Beauvoir

idalmis
ortega Digitally signed
by idalmis ortega
Date: 2024.08.12
13:34:52 -04'00'

W/E: Professional Engineer:
Idalmis Ortega, P.E.
FL License No. 76905



THIS REPORT IS THE CONFIDENTIAL PROPERTY OF THE CLIENT ADDRESSED. THE REPORT MAY ONLY BE REPRODUCED IN FULL. PUBLICATION OF EXTRACTS FROM THIS REPORT IS NOT PERMITTED WITHOUT WRITTEN APPROVAL FROM QAI. ANY LIABILITY ATTACHED THERETO IS LIMITED TO THE FEE CHARGED FOR THE INDIVIDUAL PROJECT FILE REFERENCED. THE RESULTS OF THIS REPORT PERTAIN ONLY TO THE SPECIFIC SAMPLE(S) EVALUATED. UNLESS SPECIFICALLY STATED OR IDENTIFIED OTHERWISE, QAI HAS UTILIZED A SIMPLE ACCEPTANCE RULE TO MAKE CONFORMITY DECISIONS ON TESTING RESULTS CONTAINED IN THIS REPORT, AS APPLICABLE.

WWW.QAI.ORG
info@qai.org



DESCRIPTION OF SAMPLE	
Model Designation:	Series: QB RibRider™

MATERIAL CHARACTERISTICS		
Members	Material	Part Number
QB RibRider L-Foot	304 Stainless Steel	17767
QB RibRider Mounting Arm	304 Stainless Steel	17766

Test Procedure for Lateral Load (with L-Foot in the down direction)
Four samples were tested using a calibrated Instron Testing Machine. A vertical compressive load was applied to the L-Foot at a constant rate of 0.12 inch per minute until the specimen could not support any future loading. The mounting arms were attached to 24-gauge metal using a butyl tape and (4) 14 x 1 1/2" hex washer head self-drilling screws.

Results Table					
Test Number	1	2	3	4	Average
Ultimate Load, lbf	742	726	689	708	716

Lateral Load Set up



THIS REPORT IS THE CONFIDENTIAL PROPERTY OF THE CLIENT ADDRESSED. THE REPORT MAY ONLY BE REPRODUCED IN FULL. PUBLICATION OF EXTRACTS FROM THIS REPORT IS NOT PERMITTED WITHOUT WRITTEN APPROVAL FROM QAI. ANY LIABILITY ATTACHED THERETO IS LIMITED TO THE FEE CHARGED FOR THE INDIVIDUAL PROJECT FILE REFERENCED. THE RESULTS OF THIS REPORT PERTAIN ONLY TO THE SPECIFIC SAMPLE(S) EVALUATED. UNLESS SPECIFICALLY STATED OR IDENTIFIED OTHERWISE, QAI HAS UTILIZED A SIMPLE ACCEPTANCE RULE TO MAKE CONFORMITY DECISIONS ON TESTING RESULTS CONTAINED IN THIS REPORT, AS APPLICABLE.

WWW.QAI.ORG
info@qai.org



Test Procedure for Lateral Load (with L-Foot in the up direction)

Four samples were tested using a calibrated Instron Testing Machine. A vertical compressive load was applied to the L-Foot at a constant rate of 0.12 inch per minute until the specimen could not support any future loading. The mounting arms were attached to 24-gauge metal using a butyl tape and (4) 14 x 1 1/2" hex washer head self-drilling screws.

Results Table

Test Number	1	2	3	4	Average
Ultimate Load, lbf	348	494	392	404	410

Lateral Load Set up



THIS REPORT IS THE CONFIDENTIAL PROPERTY OF THE CLIENT ADDRESSED. THE REPORT MAY ONLY BE REPRODUCED IN FULL. PUBLICATION OF EXTRACTS FROM THIS REPORT IS NOT PERMITTED WITHOUT WRITTEN APPROVAL FROM QAI. ANY LIABILITY ATTACHED THERETO IS LIMITED TO THE FEE CHARGED FOR THE INDIVIDUAL PROJECT FILE REFERENCED. THE RESULTS OF THIS REPORT PERTAIN ONLY TO THE SPECIFIC SAMPLE(S) EVALUATED. UNLESS SPECIFICALLY STATED OR IDENTIFIED OTHERWISE, QAI HAS UTILIZED A SIMPLE ACCEPTANCE RULE TO MAKE CONFORMITY DECISIONS ON TESTING RESULTS CONTAINED IN THIS REPORT, AS APPLICABLE.

WWW.QAI.ORG
info@qai.org



Test Procedure for Tensile Load

Four samples were tested using a calibrated Instron Testing Machine. A vertical tensile load was applied to the L-Foot at a constant rate of 0.12 inch per minute until the specimen could not support any future loading. The mounting arms were attached to 24-gauge metal using a butyl tape and (4) 14 x 1 1/2" hex washer head self-drilling screws.

Results Table

Test Number	1	2	3	4	Average
Ultimate Load, lbf	1490	1579	1428	1544	1510

Tensile Load Set up



THIS REPORT IS THE CONFIDENTIAL PROPERTY OF THE CLIENT ADDRESSED. THE REPORT MAY ONLY BE REPRODUCED IN FULL. PUBLICATION OF EXTRACTS FROM THIS REPORT IS NOT PERMITTED WITHOUT WRITTEN APPROVAL FROM QAI. ANY LIABILITY ATTACHED THERETO IS LIMITED TO THE FEE CHARGED FOR THE INDIVIDUAL PROJECT FILE REFERENCED. THE RESULTS OF THIS REPORT PERTAIN ONLY TO THE SPECIFIC SAMPLE(S) EVALUATED. UNLESS SPECIFICALLY STATED OR IDENTIFIED OTHERWISE, QAI HAS UTILIZED A SIMPLE ACCEPTANCE RULE TO MAKE CONFORMITY DECISIONS ON TESTING RESULTS CONTAINED IN THIS REPORT, AS APPLICABLE.

WWW.QAI.ORG
info@qai.org



Failure for Lateral loads



The L-Foot bent until no more loading could be achieved



The mounting arms fasteners pulled out of the sheet metal

THIS REPORT IS THE CONFIDENTIAL PROPERTY OF THE CLIENT ADDRESSED. THE REPORT MAY ONLY BE REPRODUCED IN FULL. PUBLICATION OF EXTRACTS FROM THIS REPORT IS NOT PERMITTED WITHOUT WRITTEN APPROVAL FROM QAI. ANY LIABILITY ATTACHED THERETO IS LIMITED TO THE FEE CHARGED FOR THE INDIVIDUAL PROJECT FILE REFERENCED. THE RESULTS OF THIS REPORT PERTAIN ONLY TO THE SPECIFIC SAMPLE(S) EVALUATED. UNLESS SPECIFICALLY STATED OR IDENTIFIED OTHERWISE, QAI HAS UTILIZED A SIMPLE ACCEPTANCE RULE TO MAKE CONFORMITY DECISIONS ON TESTING RESULTS CONTAINED IN THIS REPORT, AS APPLICABLE.

WWW.QAI.ORG
info@qai.org



NOTES

QAI does not have, nor does it intend to acquire or will acquire, a financial interest in any company manufacturing or distributing products tested or labeled by QAI. QAI is not owned, operated or controlled by any company manufacturing or distributing products it tests or labels.

Drawings referenced in this document are an integral part of this report, therefore, are required when distributing this test report. Test results obtained represent the actual value of the tested specimens and do not constitute opinion, endorsement or certification by this laboratory.

REVISION HISTORY:

8/6/2024: Initial report release

8/12/2024: Updated the mounting arms to 24-gauge

*******END REPORT*******

THIS REPORT IS THE CONFIDENTIAL PROPERTY OF THE CLIENT ADDRESSED. THE REPORT MAY ONLY BE REPRODUCED IN FULL. PUBLICATION OF EXTRACTS FROM THIS REPORT IS NOT PERMITTED WITHOUT WRITTEN APPROVAL FROM QAI. ANY LIABILITY ATTACHED THERETO IS LIMITED TO THE FEE CHARGED FOR THE INDIVIDUAL PROJECT FILE REFERENCED. THE RESULTS OF THIS REPORT PERTAIN ONLY TO THE SPECIFIC SAMPLE(S) EVALUATED. UNLESS SPECIFICALLY STATED OR IDENTIFIED OTHERWISE, QAI HAS UTILIZED A SIMPLE ACCEPTANCE RULE TO MAKE CONFORMITY DECISIONS ON TESTING RESULTS CONTAINED IN THIS REPORT, AS APPLICABLE.

WWW.QAI.ORG
info@qai.org