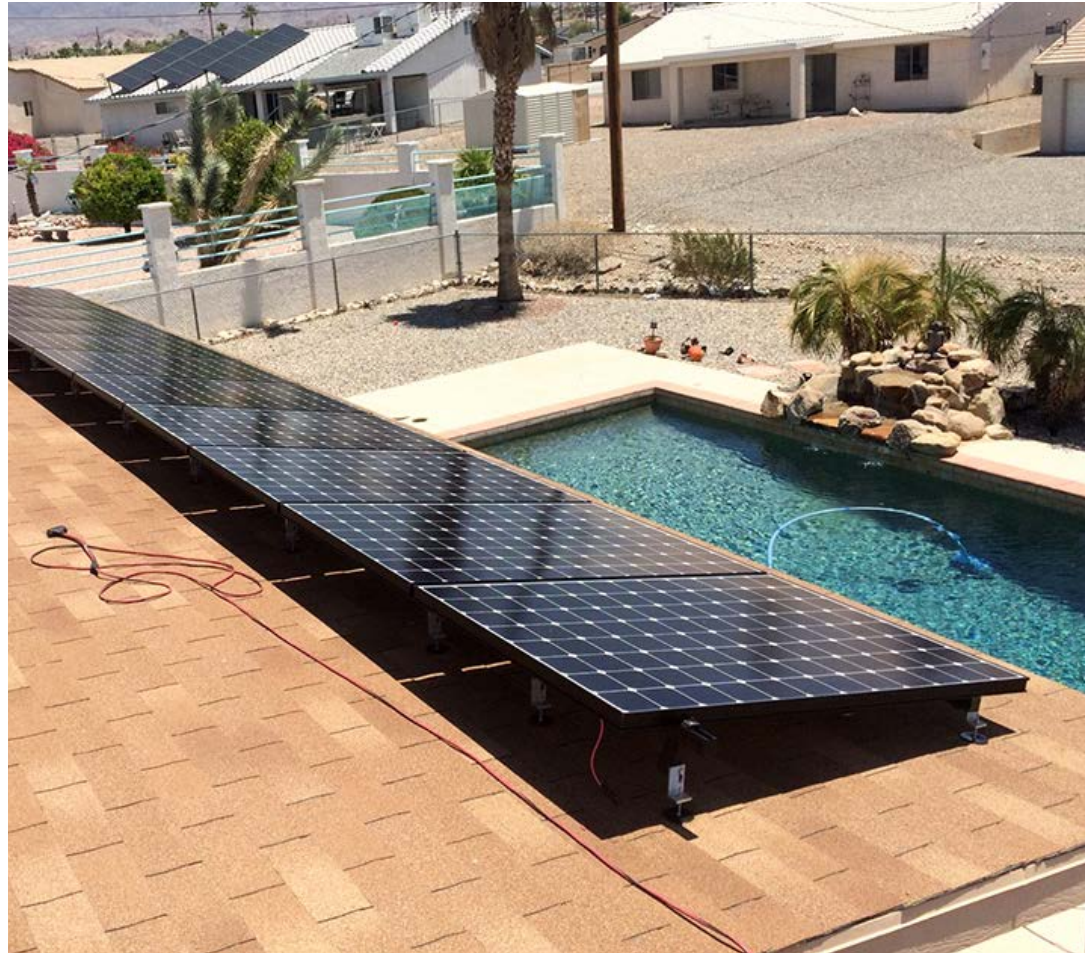


# 16321

16322

## CONDUIT PUCK™ FOR ASPHALT SHINGLE ROOFS



# TABLE OF CONTENTS

3

## SPEC SHEET

QTY & MEASUREMENT INFORMATION

---

5

## INSTALLATION INSTRUCTIONS

STEP-BY-STEP-INSTALLATION GUIDE

---

6

## BUILDING CODE LETTER

REGARDING STAMP DATES

---

7

## ENGINEERING REPORT

UPLIFT & LATERAL LOAD TEST

---

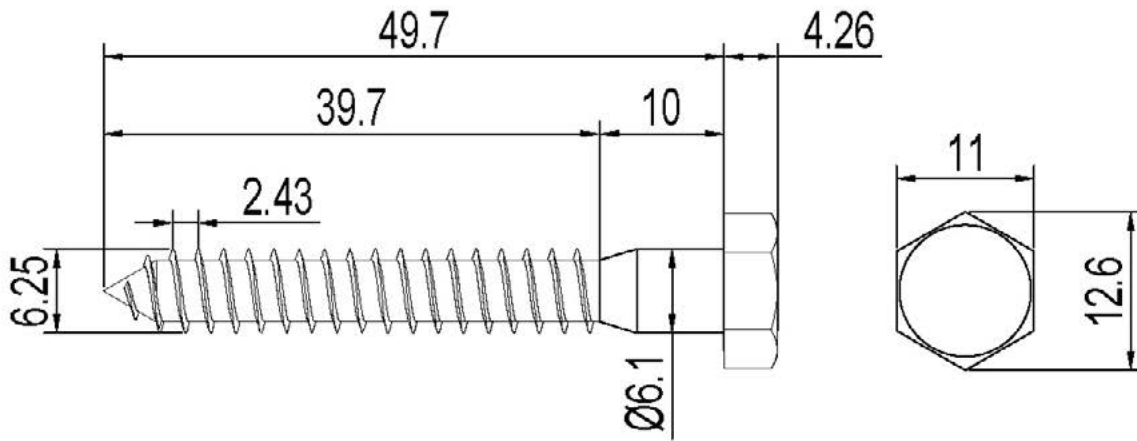
# SPEC SHEET

Part #	Box Quantity
16321	2 1/4" x 7/8" thick mount + 1/4" x 2" screw (60/Case)
16322	2 1/4" x 7/8" thick mount + 1/4" x 2" screw (20/PK)



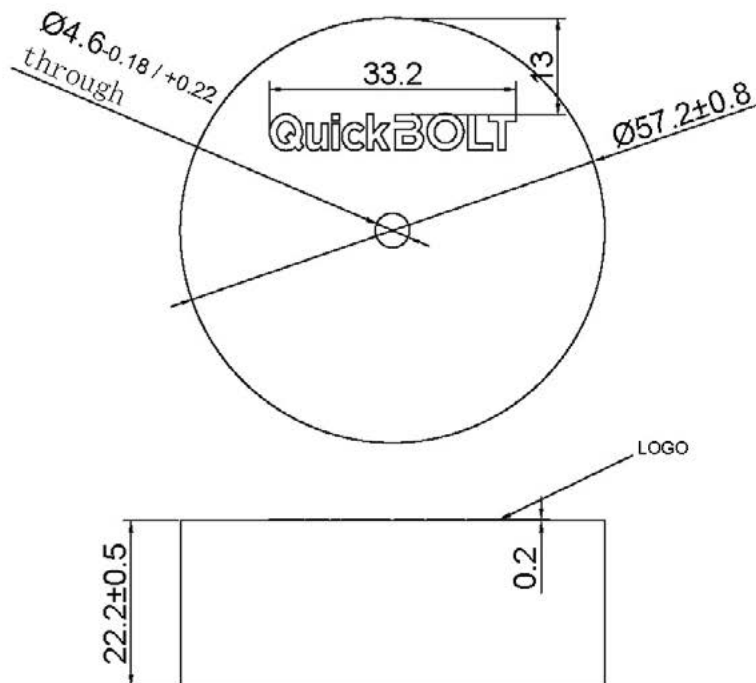
\*Includes **Cylinder and Install Screw only**. Machine screw and conduit clip NOT included.

QuickBOLT  
 PN# 16321  
 Conduit Mount  
 Screws



Tolerance Range		Design	Drawing	Confirm	Verify	Scale	Quantity
Baiting tolerance	±2 mm						
Hole tolerance	±0.3 mm						
Hole distance tolerance	±0.5 mm						
Form tolerance	±2 mm					Material	SUS304
Thickness tolerance	±0.1 mm					Drawing No.	
Angle tolerance	±1° mm					Finish	

QuickBOLT  
 PN# 16321  
 Conduit Mount  
 EPDM Conduit Block



# INSTALL INSTRUCTIONS



## RECOMMENDED MATERIALS

- 3/8" Hex Driver

## INSTALLATION INSTRUCTIONS

1. Insert the screw into the conduit clip and EPDM block
2. Drive until block is compressed



\***Block and screw only.** Clip NOT included



# BUILDING CODE LETTER



March 22<sup>nd</sup>, 2023

To whom this may concern,

QuickBOLT is committed to excellence. The parts tested are durable goods, meaning the material composition and detailed specifications of the parts do not change. Therefore, all stamps are current. Any part tested will have the same results no matter what year the tests are performed. All testing and reports are current and valid with 2022 CBC standards.

SolarRoofHook is the previous name of QuickBOLT. Any test result referencing SolarRoofHook is referring to a QuickBOLT product.

All our parts were tested by a third-party test facility, in possession of a current engineering license for the state where the tests were performed for the following.

1. Uplift test
2. Downward load test
3. Lateral Test – Asphalt Mounts, and Metal Mounts only
4. ASTM E2440 and ASTM E330 Waterproof Tests - QuickBOLT only

The following is an excerpt from:

CALIFORNIA BOARD FOR PROFESSIONAL ENGINEERS AND LAND SURVEYORS  
guide to Engineering & Land Surveying for City and County Officials  
Page 12, Line 27

**27. If the license has expired between the time the engineering documents were prepared and the time when the local agency's review is performed, do the documents need to be re-sealed by a licensee with a current license? (B&P Code §§ 6733, 6735, 6735.3, 6735.4)**

**As long as the license was current at the time the engineering documents were prepared, the documents do not need to be re-sealed prior to review by the local agency. However, any changes (updates or modifications) to the documents that are made following the review by the local agency would have to be prepared by a licensed engineer with a current license and those changes would have to be signed and sealed.**

We trust the information provided will resolve any request for the test reports submitted to have a stamp from the current year.

Regards,

Rick Gentry  
Executive Vice President

# ENGINEERING REPORT



## QUICKSCREWS INTERNATIONAL CORP. TEST REPORT

### SCOPE OF WORK

TAS 100(A) TESTING on Part# 16321 EPDM Conduit Mount with Screw

### REPORT NUMBER

L2941.03-301-18 R0

### TEST DATE

08/31/20

### ISSUE DATE

09/14/20

### RECORD RETENTION END DATE

08/31/25

### PAGES

11

### DOCUMENT CONTROL NUMBER

ATI 00479 (07/24/17)

RT-R-AMER-Test-2805

© 2017 INTERTEK





Total Quality. Assured.

1909 10th Street, Suite 100  
Plano, Texas 75074

Telephone: 469-814-0687  
Facsimile: 717-764-4129  
www.intertek.com/building

**TEST REPORT FOR QUICKSCREWS INTERNATIONAL CORP.**

Report No.: L2941.03-301-18 RO

Date: 09/14/20

**REPORT ISSUED TO**

**QUICKBOLT - A DIVISION OF QUICKSCREWS INTERNATIONAL CORP.**

5830 Las Positas Road  
Livermore, California 94551

**SECTION 1**

**SCOPE**

Intertek Building & Construction (B&C) was contracted by Quickscrews Company to perform testing in accordance with TAS 100(A) – 95 testing on their Part# 16321 EPDM Conduit Mount with Screw. Results obtained are tested values and were secured by using the designated test method. Testing was conducted at Intertek B&C test facility in Fresno, California.

This report does not constitute certification of this product nor an opinion or endorsement by this laboratory.

**SECTION 2**

**SUMMARY OF TEST RESULTS**

The specimens tested met the performance requirements set forth in the protocols.

**Product Type:** Solar Mounting Fastener

**Series/Model:** Part# 16321 EPDM Conduit Mount with Screw

SPEC.	TEST PROTOCOL	LEVEL
1	TAS 100(A) – 95	110 MPH



For INTERTEK B&C:

**COMPLETED BY:** Dennis Janzen  
**TITLE:** Technician  
**SIGNATURE:** *Dennis Janzen*  
Digitally Signed by: Dennis Janzen  
**DATE:** 09/14/20

2020.09.14 12:14:36 -07'00'

**REVIEWED BY:** Tyler Westerling, P.E.  
**TITLE:** Operations Manager  
**SIGNATURE:** *Tyler Westerling*  
Digitally Signed by: Tyler Westerling  
**DATE:** 09/14/20

TWms

This report is for the exclusive use of Intertek's Client and is provided pursuant to the agreement between Intertek and its Client. Intertek's responsibility and liability are limited to the terms and conditions of the agreement. Intertek assumes no liability to any party, other than to the Client in accordance with the agreement, for any loss, expense or damage occasioned by the use of this report. Only the Client is authorized to permit copying or distribution of this report and then only in its entirety. Any use of the Intertek name or one of its marks for the sale or advertisement of the tested material, product or service must first be approved in writing by Intertek. The observations and test results in this report are relevant only to the sample(s) tested. This report by itself does not imply that the material, product, or service is or has ever been under an Intertek certification program.



**TEST REPORT FOR QUICKSCREWS INTERNATIONAL CORP.**

Report No.: L2941.03-301-18 R0

Date: 09/14/20

**SECTION 3  
TEST METHOD**

The specimens were evaluated in accordance with the following:

*Testing Application Standard (TAS) No. 100(A) - 1995, Test Procedure for Wind and Wind Driven Rain Resistance and/or Increased Windspeed Resistance of Soffit Ventilation Strip and Continuous or Intermittent Ventilation System Installed at the Ridge Area*

**SECTION 4  
MATERIAL SOURCE/INSTALLATION**

Test specimen were provided by the client. Representative samples of the test specimen will be retained by Intertek B&C for a minimum of five years from the test completion date.

The specimen was installed into an asphalt shingle test buck with lexan viewing window on the underside. Installation of the tested product was performed by Intertek B&C.

COMPONENT	MATERIAL	DESCRIPTION
Part# 16321 EPDM Conduit Mount with Screw	EPDM/Stainless	2-1/4" by 7/8" thick Mount with 1/4" x 2" Stainless steel lag bolt

**SECTION 5  
EQUIPMENT**

Calibrated Wind Generator - Reference calibration report I6737.03-801-44-r0 for calibration results.

**SECTION 6  
LIST OF OFFICIAL OBSERVERS**

NAME	COMPANY
Dennis Janzen	Intertek B&C
Tyler Westerling	Intertek B&C

**TEST REPORT FOR QUICKSCREWS INTERNATIONAL CORP.**

Report No.: L2941.03-301-18 R0

Date: 09/14/20

**SECTION 7  
TEST RESULTS**

**Protocol TAS 100(A) – 95, Wind Driven Rain Resistance**

**Test Date:** 05/04/20

The temperature during testing was 35°C (95°F). The results are tabulated as follows:

**Test Specimen test results:**

Wind Speed	Gallons Sprayed	Inches Per Hour	Gallons Collected	Notes
35	77.02	10.30	0	15 Minutes
70	75.11	10.04	0	15 Minutes
90	79.89	10.68	0	15 Minutes
110	27.88	10.08	0	5 Minutes
Total	259.9	11.18	0	
1% of total water sprayed	2.59 Gallons		0 Gallons Collected	Pass

**General Note:** All testing was performed in accordance with the referenced standard.

**SECTION 8  
CONCLUSIONS**

Intertek B&C observed no signs of failure in any area of the test specimens during the test; as such, the test specimens satisfy the requirements of TAS 100(A) – 95.

**TEST REPORT FOR QUICKSCREWS INTERNATIONAL CORP.**

Report No.: L2941.03-301-18 R0

Date: 09/14/20

**SECTION 9**  
**PHOTOGRAPHS**



**Photo No. 1**

**TEST REPORT FOR QUICKSCREWS INTERNATIONAL CORP.**

Report No.: L2941.03-301-18 R0

Date: 09/14/20



Photo No. 2

**TEST REPORT FOR QUICKSCREWS INTERNATIONAL CORP.**

Report No.: L2941.03-301-18 R0

Date: 09/14/20



**Photo 3**



Total Quality. Assured.

1909 10th Street, Suite 100  
Plano, Texas 75074

Telephone: 469-814-0687  
Facsimile: 717-764-4129  
www.intertek.com/building

**TEST REPORT FOR QUICKSCREWS INTERNATIONAL CORP.**

Report No.: L2941.03-301-18 R0

Date: 09/14/20

**SECTION 10**  
**REVISION LOG**

REVISION #	DATE	PAGES	REVISION
0	09/14/20	N/A	Original Report Issue