

SIMPLEGRIP-SQ

[Our Products: Roof Type](#)

SKU: SIMPLEGRIP-SQ

The SimpleGrip-SQ System is a solar roof mount, engineered and manufactured specifically for use on low-slope/flat roofs. The SimpleGrip System is compatible with a variety of EcoFasten Solar attachment bracket options, providing a customized solution for low slope roof applications.

*Do not use on a roof under warranty without prior written approval from warranty holder.

SimpleGrip-SQ is designed to be attached to new or existing (retrofit) roofs.

[SEE PRICING](#)

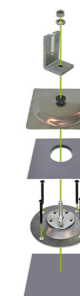
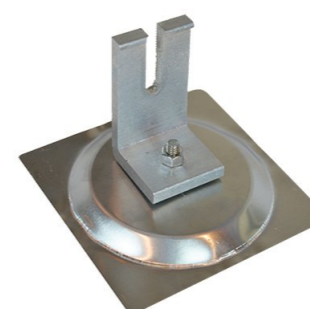
[REQUEST A SAMPLE](#)

[WATCH VIDEO](#)

[f](#) [t](#) [p](#) [e](#) [+](#) [+](#) 282 [282](#) [Share](#)



(Hover over thumbnail for larger image)



[FEATURES](#)

[ROOF TYPE](#)

[COMPONENTS](#)

[DOCUMENTATION](#)

[BRACKET OPTIONS](#)

FEATURES / ADVANTAGES:

- Lightweight , durable construction enhances wind uplift and seismic values without adding additional weight
- Extensively tested for pullout and shear
- Customized solutions to match any proprietary hardware
- Meets or exceeds all known building codes
- Patented watertight seal forms an impenetrable moisture barrier
- Large base and multiple attachment points distribute compressive loads over standard insulation
- EcoFasten Solar products are protected by the following U.S. Patents:
8,151,522 8,153,700 8,181,398 8,166,713 8,146,299 8,209,914 8,245,454 8,272,174 8,225,557 9,010,038 9,134,040 9,175,478 9,212,833

APPLICABLE ROOF TYPES:

- Membrane
- Rolled Asphalt

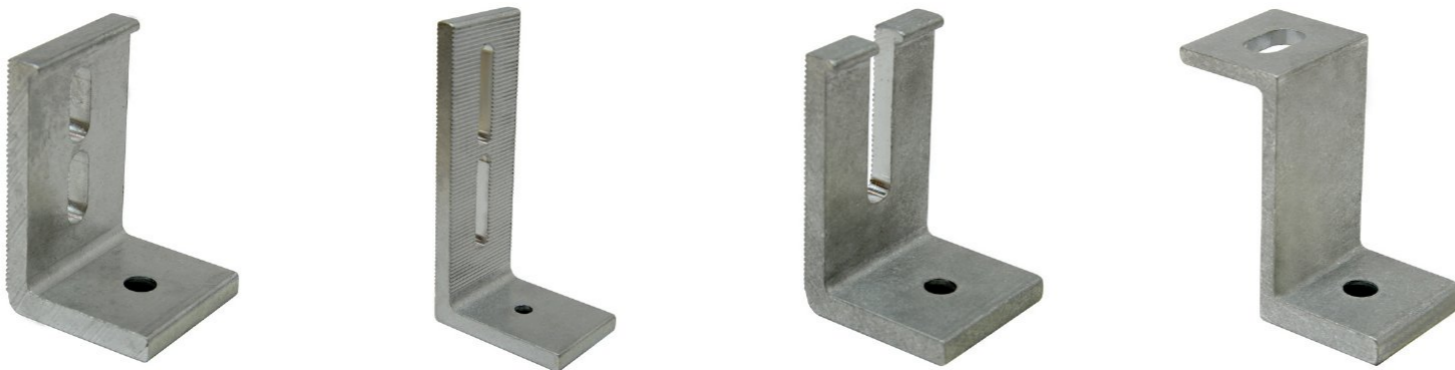
COMPONENTS:

The SimpleGrip-SQ System requires 4 components to achieve watertight protection.

- Roof Level & Upper Level Butyl Tape
- SimpleGrip Base & Compression Plate with GreenFasten bushing
- 3" Fasteners
- Attachment bracket - 5/16" ID EPDM Bonded Washer and 5/16"-18 Flange Nut

DOCUMENTATION:

- [Exploded Product View/Bill of Materials](#)
- [Installation Instructions](#)
- [Specifications](#)
- [Cut Sheet](#)
- [Structural Test](#)
- [Rain Test](#)



MADE IN THE USA

We are proud to offer products made in the United States of America, utilizing recycled materials, in compliance with the provisions of the ARRA.



CONTACT US

Tel: 877-859-3947

Fax: 888-766-9994

Email: info@ecofastensolar.com

EcoFasten Solar

4741 W Polk St. Ste. 4

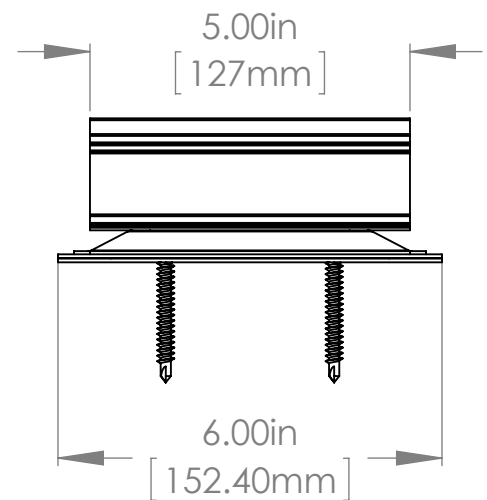
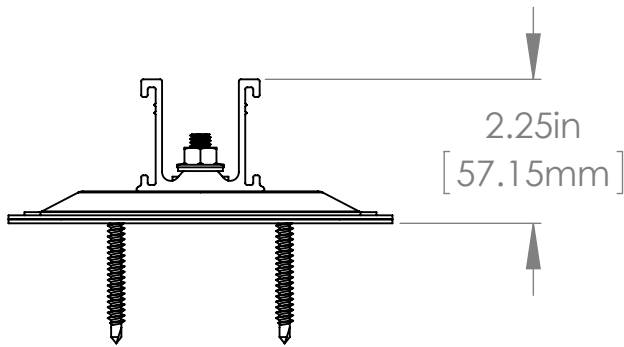
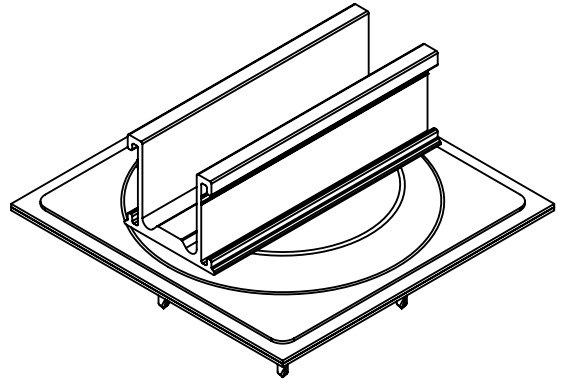
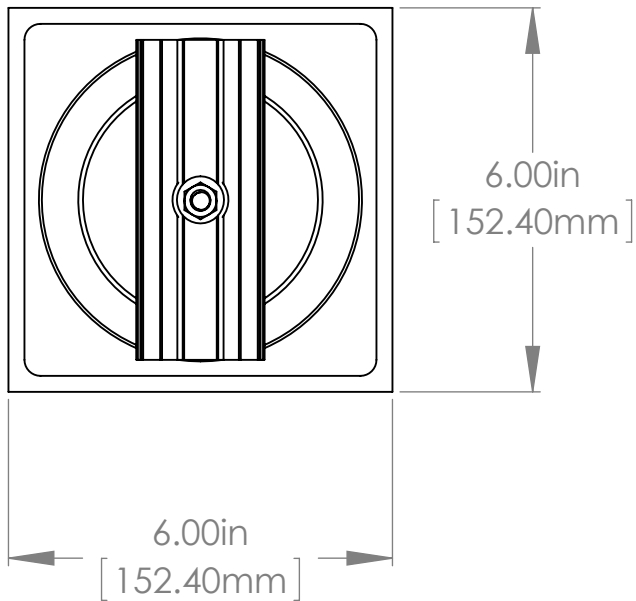
Phoenix, AZ 85043

NEWSLETTER

[SIGN UP NOW!](#)

Cut Sheet - SimpleGrip-SQ

1. Installation to be completed in accordance with manufacturer's written specifications and installation instructions.
2. See spec sheet or contact manufacturer for detailed material, finishes, and configuration options.
3. Contact manufacturer for detailed layout.
4. Do not scale drawings.
5. Subject to change without notice.



289 Harrel Street
Morrisville, VT 05661

Toll Free Phone 1.888.766.4273
Toll Free Fax 1.888.766.9994

Toll Free Phone 1.877.859.3947
Toll Free Fax 1.888.766.9994

Material: See Spec Sheet

Scale: 1:3

7/11/2016

ASG: -

EFS: X