

SNAP (5) ONTO CENTER OF (1) AS SHOWN

PARTS LIST

ITEM	QTY	PART NUMBER	DESCRIPTION
1	1	232-02491	SNAPNRACK, RL UNIVERSAL, LINK BOTTOM, MILL
2	1	232-02510	SNAPNRACK, RL UNIVERSAL, LINK TOP, BONDING, BLACK
3	2	162-00182	BOLT, FLANGE, SERRATED, 3/8IN-16 X 2-3/4IN, 1/2IN TRIM HEAD, 1.2IN THREAD, BLACK, SS
4	2	232-02521	SNAPNRACK, RL UNIVERSAL, MOUNT SPRING, SS
5	1	232-02508	SNAPNRACK, RL UNIVERSAL, LINK COLUMN SPACER

ASSEMBLER:

INSPECTOR:

DESCRIPTION:

SNAPNRACK, RL UNIVERSAL, LINK

DRAWN BY: M.AFFENTRANGER

APPROVED BY: B.PETERSON

REVISION:

A	5/15/2018	NEW ITEM	BDP
A	6/15/2018	NU00865	BDP
A	10/15/2018	NU000910	BDP
B	3/20/2019	NU000933	MJA
B	5/14/2019	NU000982	MJA
B	9/20/2019	NU001040	BDP

**SnapNrack™**  
Solar Mounting Solutions

Sunrun South LLC

595 MARKET STREET, 29TH FLOOR • SAN FRANCISCO, CA 94105 USA  
PHONE (415) 580-6900 • FAX (415) 580-6902

PART NUMBER:  
242-02156

SCALE:  
DNS

REV:  
B

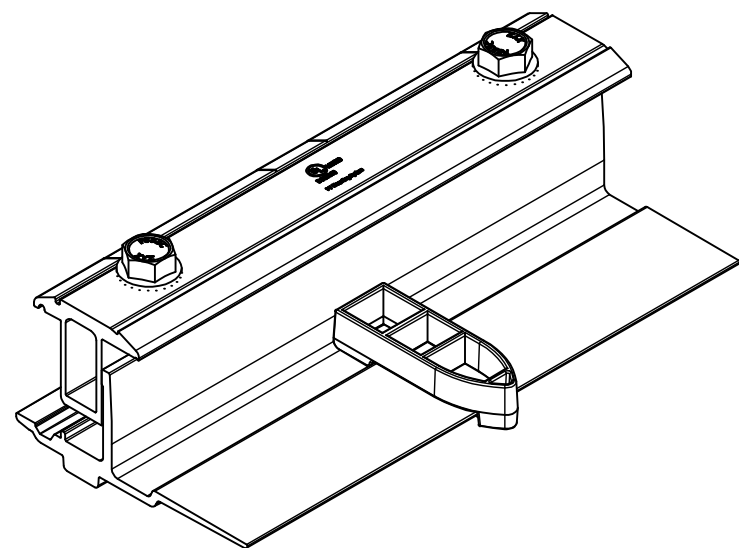
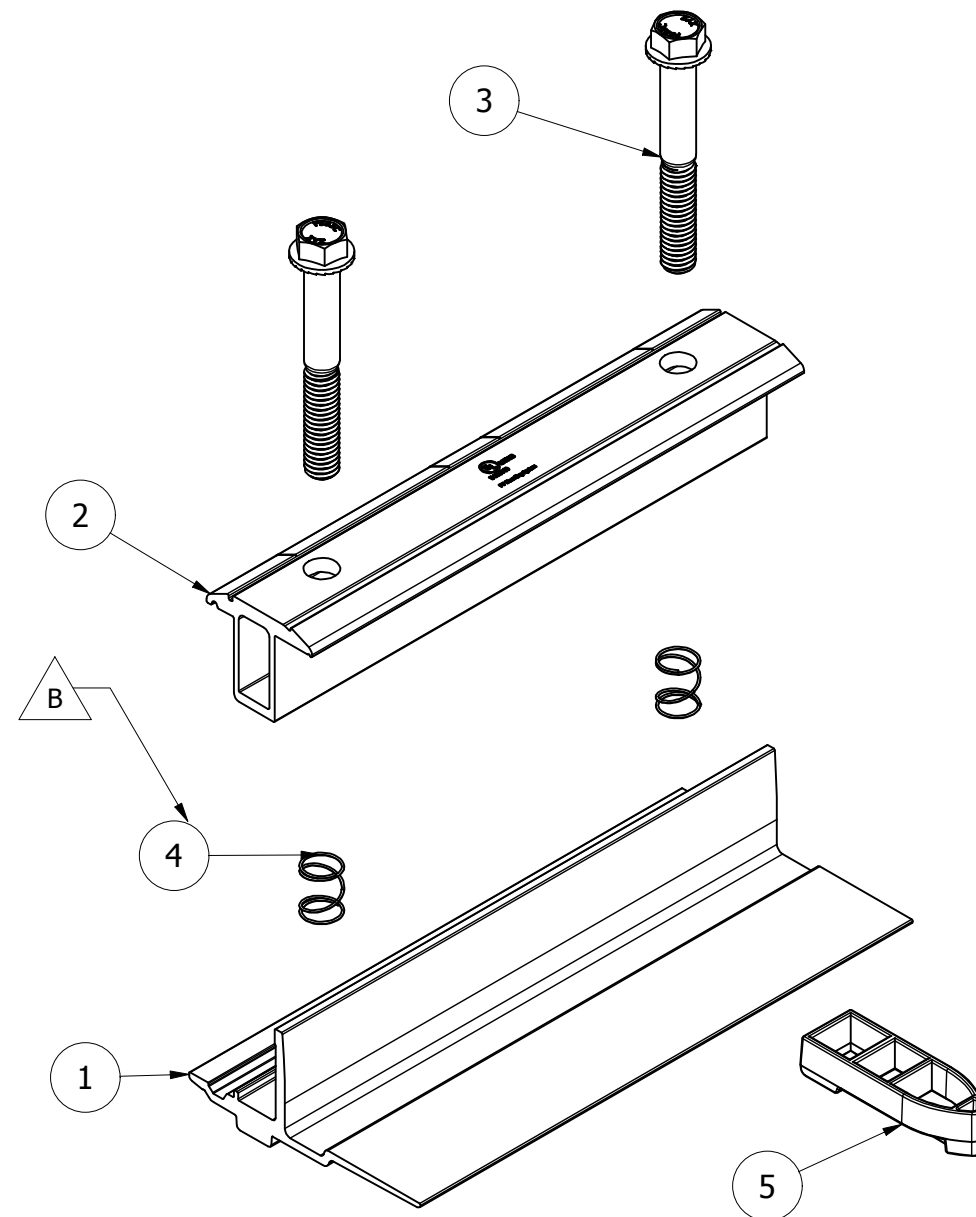
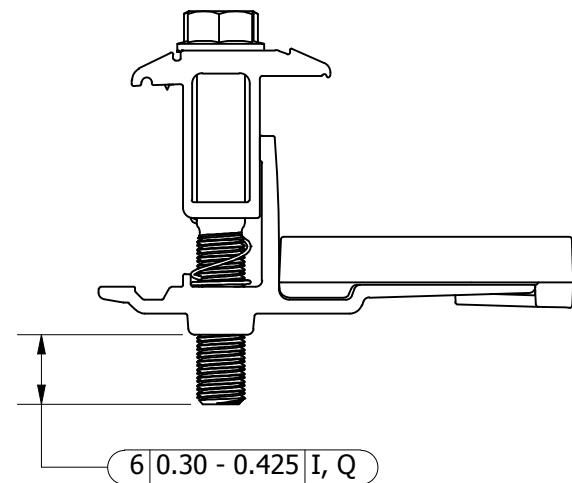
THE INFORMATION IN THIS DRAWING IS CONFIDENTIAL AND PROPRIETARY. ANY REPRODUCTION, DISCLOSURE, OR USE THEREOF IS PROHIBITED WITHOUT THE WRITTEN CONSENT OF SUNRUN SOUTH LLC.

FMEA TABLE

INDEX	DIM	UOM	LOW TOL	HIGH TOL	FUNCTION	SEVERITY
1	-	-	-	-	I, S	5
2	-	-	-	-	I, S	5
3	-	-	-	-	I, S	5
4	-	-	-	-	I, Q	2
5	-	-	-	-	I, Q	3
6	.363	IN	.063	.063	I, S	5

REVISION:

A	5/15/2018	NEW ITEM	BDP
A	6/15/2018	NU00865	BDP
A	10/15/2018	NU000910	BDP
B	3/20/2019	NU000933	MJA
B	5/14/2019	NU000982	MJA
B	9/20/2019	NU001040	BDP



PARTS LIST			
ITEM	QTY	PART NUMBER	DESCRIPTION
1	1	232-02491	SNAPRACK, RL UNIVERSAL, LINK BOTTOM, MILL
2	1	232-02510	SNAPRACK, RL UNIVERSAL, LINK TOP, BONDING, BLACK
3	2	162-00182	BOLT, FLANGE, SERRATED, 3/8IN-16 X 2-3/4IN, 1/2IN TRIM HEAD, 1.2IN THREAD, BLACK, SS
4	2	232-02521	SNAPRACK, RL UNIVERSAL, MOUNT SPRING, SS
5	1	232-02508	SNAPRACK, RL UNIVERSAL, LINK COLUMN SPACER