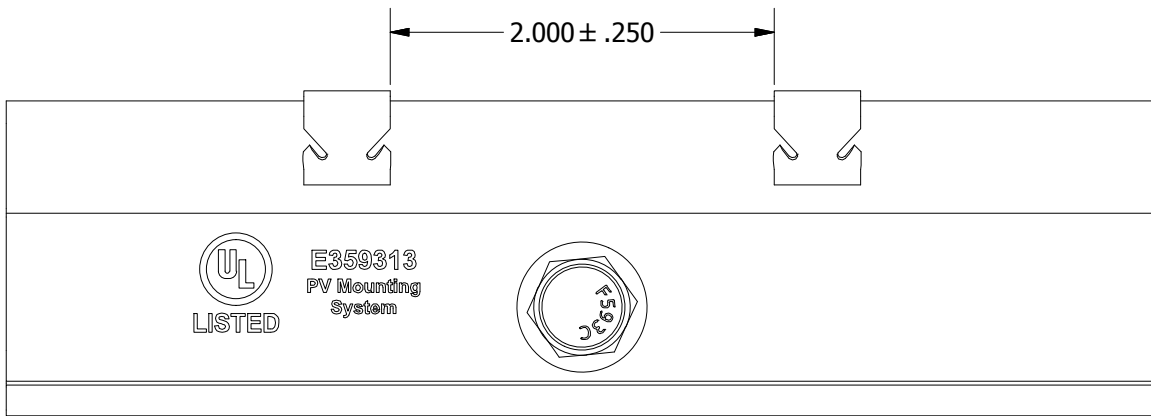
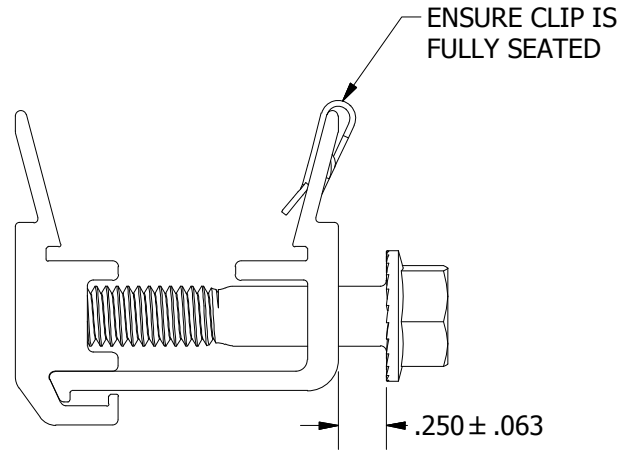
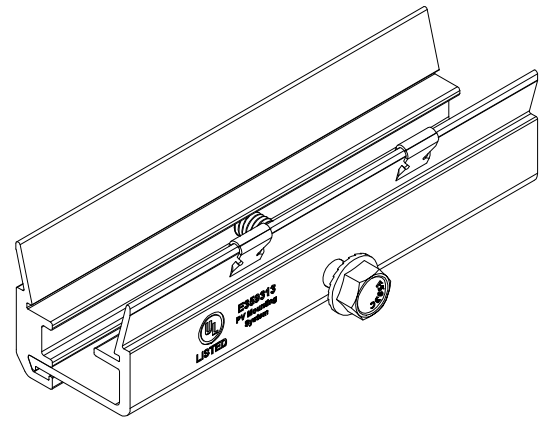
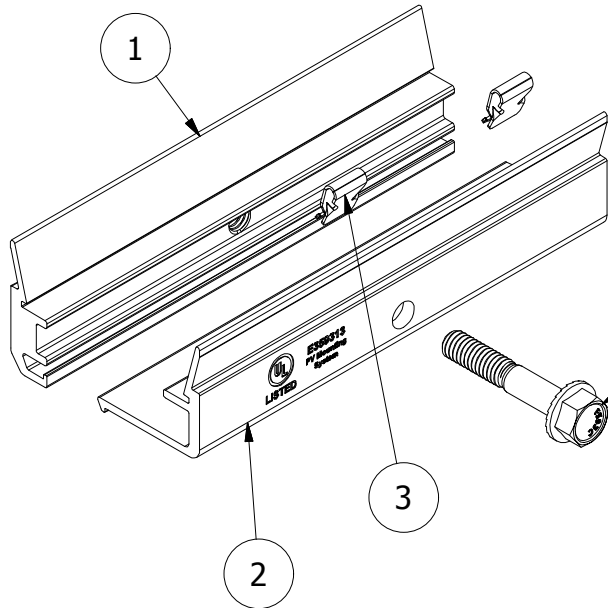


MATERIAL: 6005-T5 ALUMINUM, DARK BRONZE ANODIZED, STAINLESS STEEL

INCLUDE 1X 232-71018 'SNAPRACK, INSTALL INSTRUCTIONS, UR-40 RAIL GAPPING AT SPLICES' FOR EVERY 20 SPLICE ASSEMBLIES IN BOX

ALL DIMENSIONS IN INCHES



PARTS LIST

ASSEMBLER:	ITEM	QTY	PART NUMBER	DESCRIPTION
INSPECTOR:	1	1	232-02460	SNAPRACK ULTRA RAIL SPLICE TAPPED PRC, BLACK
	2	1	232-02458	SNAPRACK ULTRA RAIL SPLICE THRU PRC, BLACK
	3	2	232-01325	SNAPRACK, SNAPLINK BONDING CLIP, TYPE 2, STEEL
	4	1	162-00166	BOLT, FLANGE, SERRATED, 5-16IN-18 X 1-3-4IN, BLACK, SS

DESCRIPTION:  
SNAPRACK ULTRA RAIL SPLICE (top clips),  
BLACK

DRAWN BY: D.RYAN  
APPROVED BY: B.PETERSON  
REVISION:  
A 9/25/2017 NEW ITEM MA  
B 4/30/2019 NU000979 DR

**SnapRack™**  
**Solar Mounting Solutions**

Sunrun South LLC

595 MARKET STREET, 29TH FLOOR • SAN FRANCISCO, CA 94105 USA  
PHONE (415) 580-6900 • FAX (415) 580-6902

PART NUMBER:  
242-01214

SCALE:  
DNS

REV:  
B

THE INFORMATION IN THIS DRAWING IS CONFIDENTIAL AND PROPRIETARY. ANY REPRODUCTION, DISCLOSURE, OR USE THEREOF IS PROHIBITED WITHOUT THE WRITTEN CONSENT OF SUNRUN SOUTH LLC.