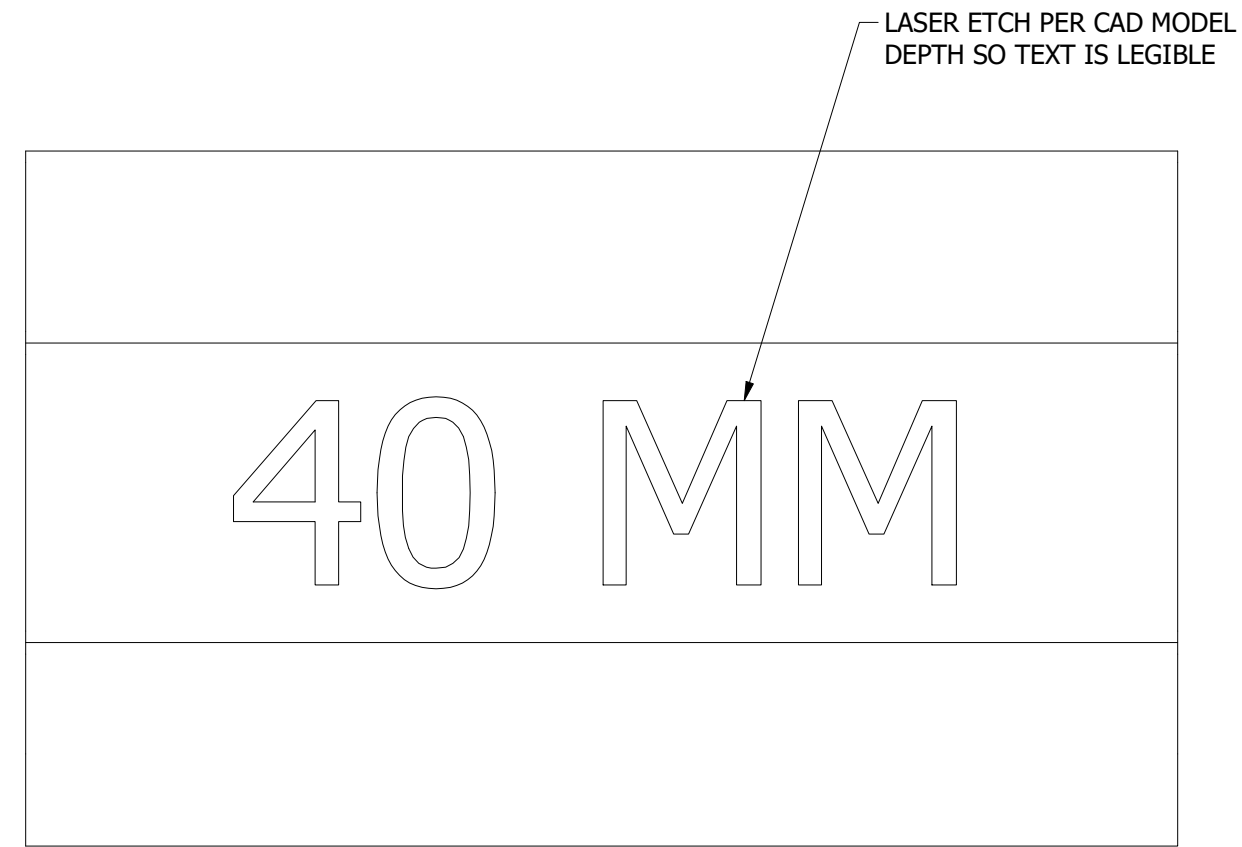
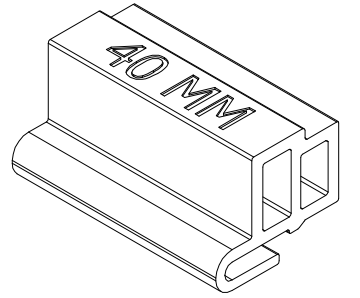
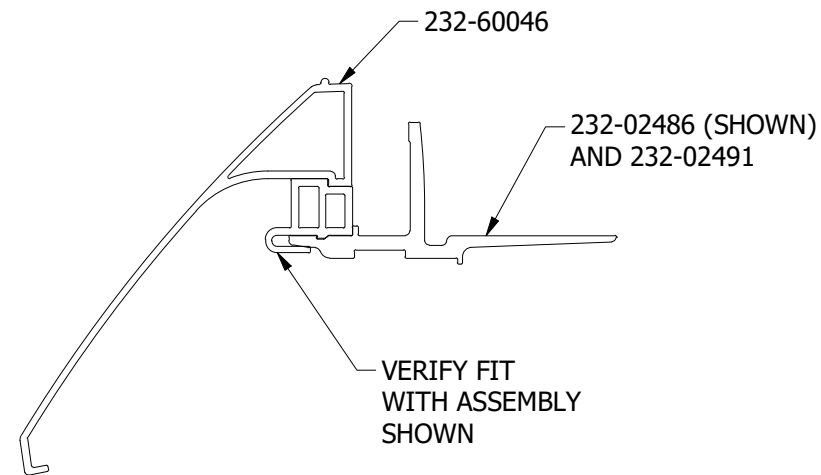


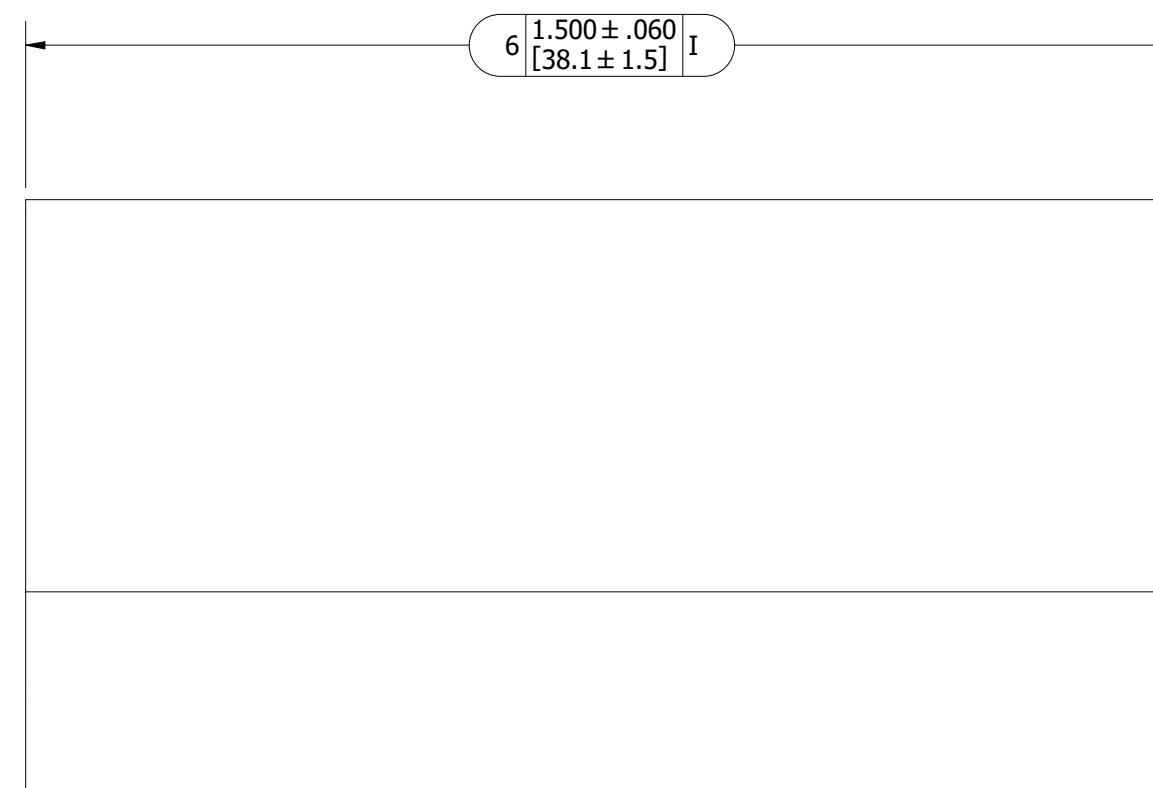
NOTES:

MAKE FROM SNAPNRACK EXTRUSION 232-60054
 ALL DIMENSIONS IN INCHES UNLESS OTHERWISE STATED
 ALTERNATE DIMENSIONS IN [MM]
 REFER TO 3D CAD MODEL FOR DIMENSIONS NOT SHOWN ON DRAWING
 VERIFY CRITICAL DIMENSIONS IN **BOLD**
 LASER ETCH PART AS SHOWN IN TOP VIEW
 DEBURR ROUGH EDGES (NO HANGING BURR)
 WEIGHT: 0.038 LBS

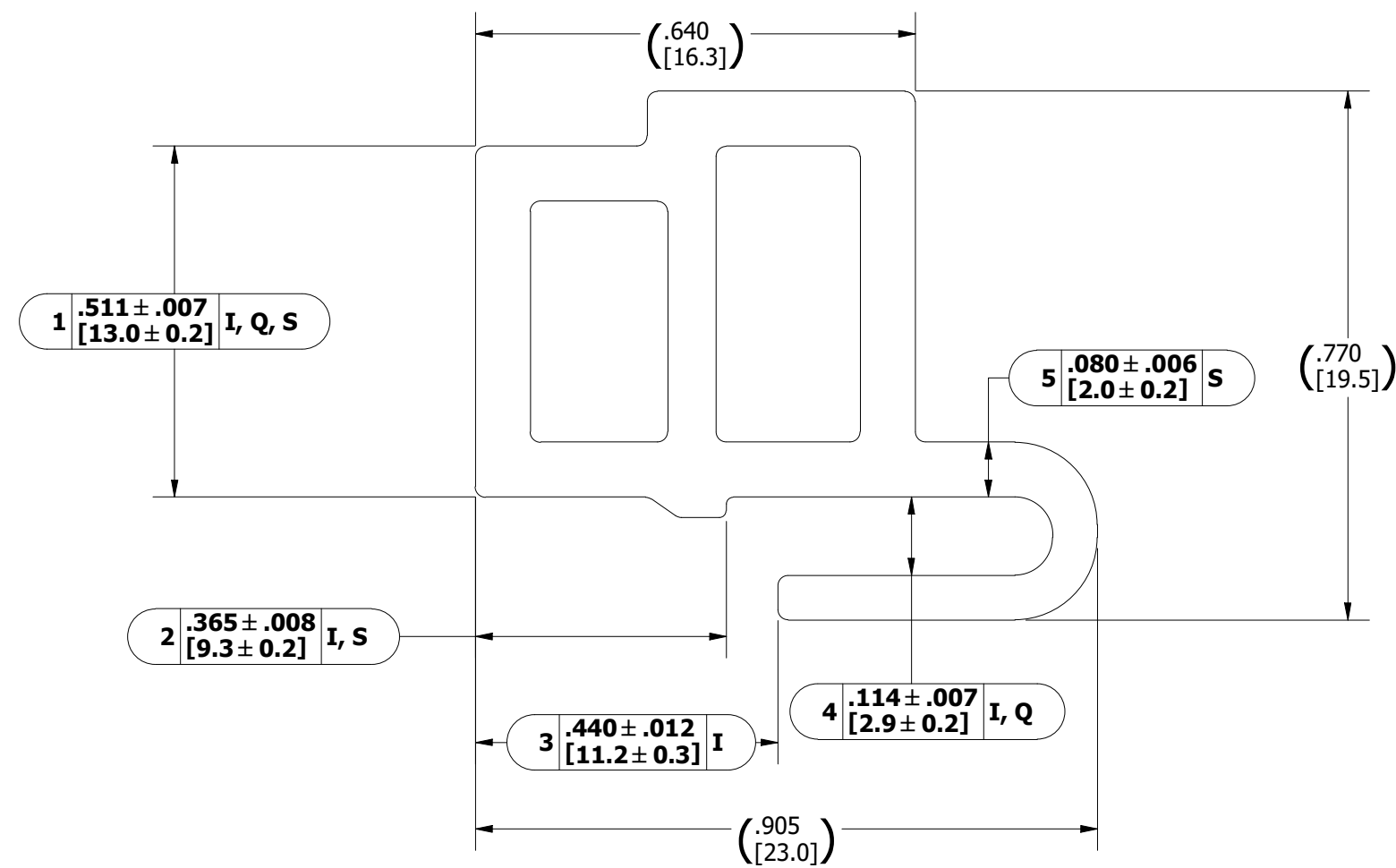
REVISION:			
A	5/7/2018	NEW ITEM	GTV
B	3/18/2019	NU000933	BDP
B	5/14/2019	NU000982	MJA
C	7/27/2020	NU001118	BDP
D	5/19/2021	NU001670	DR



TOP
SCALE 4 : 1



FRONT
SCALE 4 : 1



PROFILE
SCALE 4 : 1

MATERIAL:	6005-T5 ALUMINUM	FINISH:	CLEAR ANODIZED: AA-M10C22A31	PART WEIGHT:	0.037 lbmass
UNITS OF MEASURE:	IN, LB, DEG [MM, KG, DEG]	DESCRIPTION:	SNAPNRACK, RL UNIVERSAL, SKIRT SPACER, 40MM	PART NUMBER:	232-02497
					REV
					D