

DESCRIPTION:
SNAPRACK, TDS, RL UNIVERSAL, ARRAY SKIRT

DOC NUMBER:
 SNR-DC-01374



PART NUMBER(S):
 015-11791, 015-11792, 232-02492, 232-02493

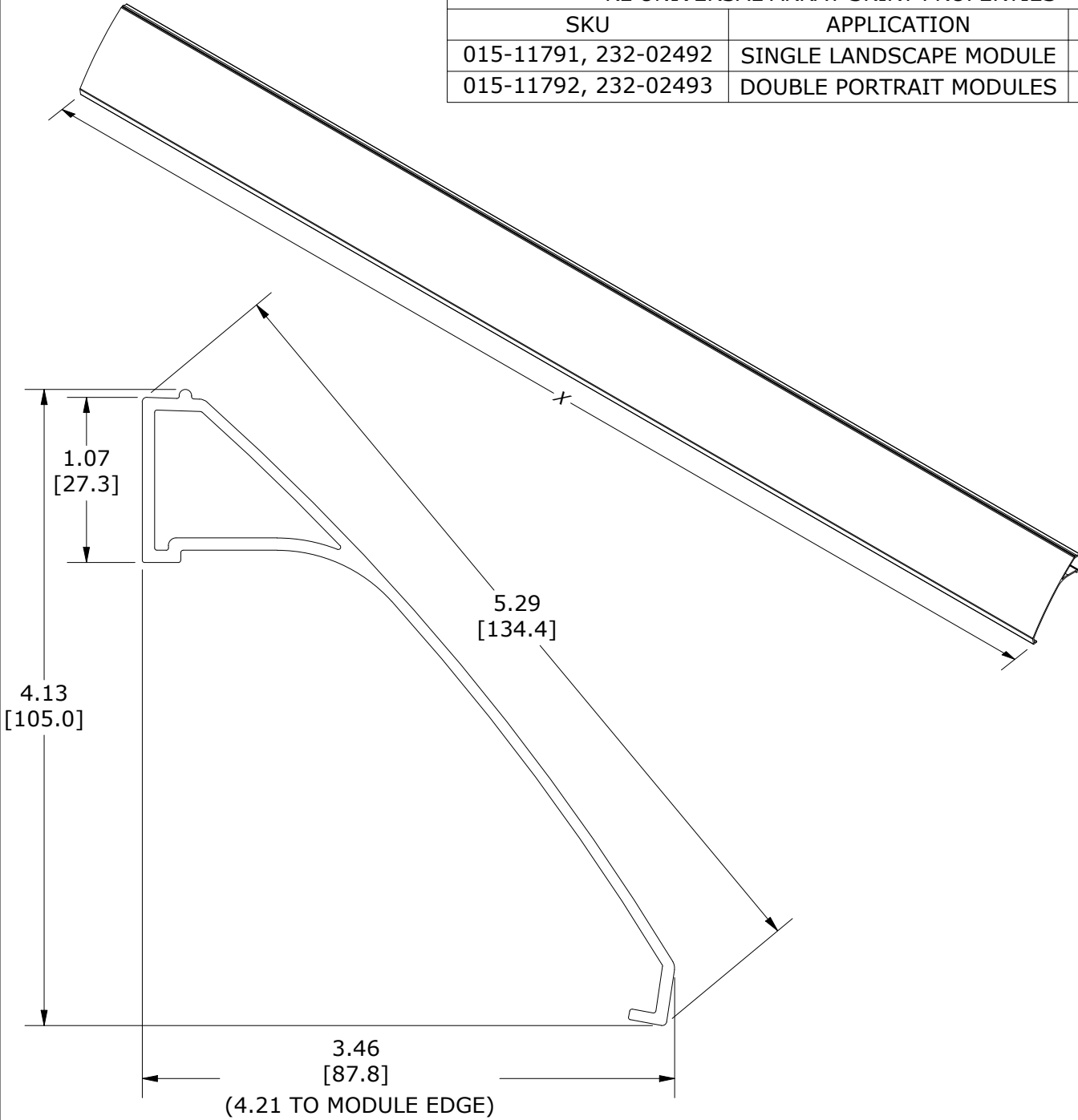
DRAWN BY:
 H.WULFEKOETTER

REV: **C** DATE: 11/6/2023

SUNRUN INSTALLATION SERVICES INC.
 225 BUSH STREET, SUITE 1400 • SAN FRANCISCO, CA 94104 USA
 PHONE (877) 732-2860 • CONTACT@SNAPNRACK.COM
THE INFORMATION IN THIS DRAWING IS CONFIDENTIAL AND PROPRIETARY. ANY REPRODUCTION, DISCLOSURE, OR USE THEREOF IS PROHIBITED WITHOUT THE WRITTEN CONSENT OF SUNRUN SOUTH LLC.

UNITS: IN, LB, DEG [MM, KG, DEG] SHEET: 1:1

RL UNIVERSAL ARRAY SKIRT PROPERTIES		
SKU	APPLICATION	LENGTH (X)
015-11791, 232-02492	SINGLE LANDSCAPE MODULE	70"
015-11792, 232-02493	DOUBLE PORTRAIT MODULES	83"



MATERIALS:	6000 SERIES ALUMINUM
DESIGN LOAD (LBS):	N/A
ULTIMATE LOAD (LBS):	N/A
TORQUE SPECIFICATION:	N/A FT-LBS
CERTIFICATION:	UL 2703, FILE E359313
WEIGHT (LBS):	3.94 - 4.74