

ALL DIMENSIONS IN INCHES UNLESS OTHERWISE STATED

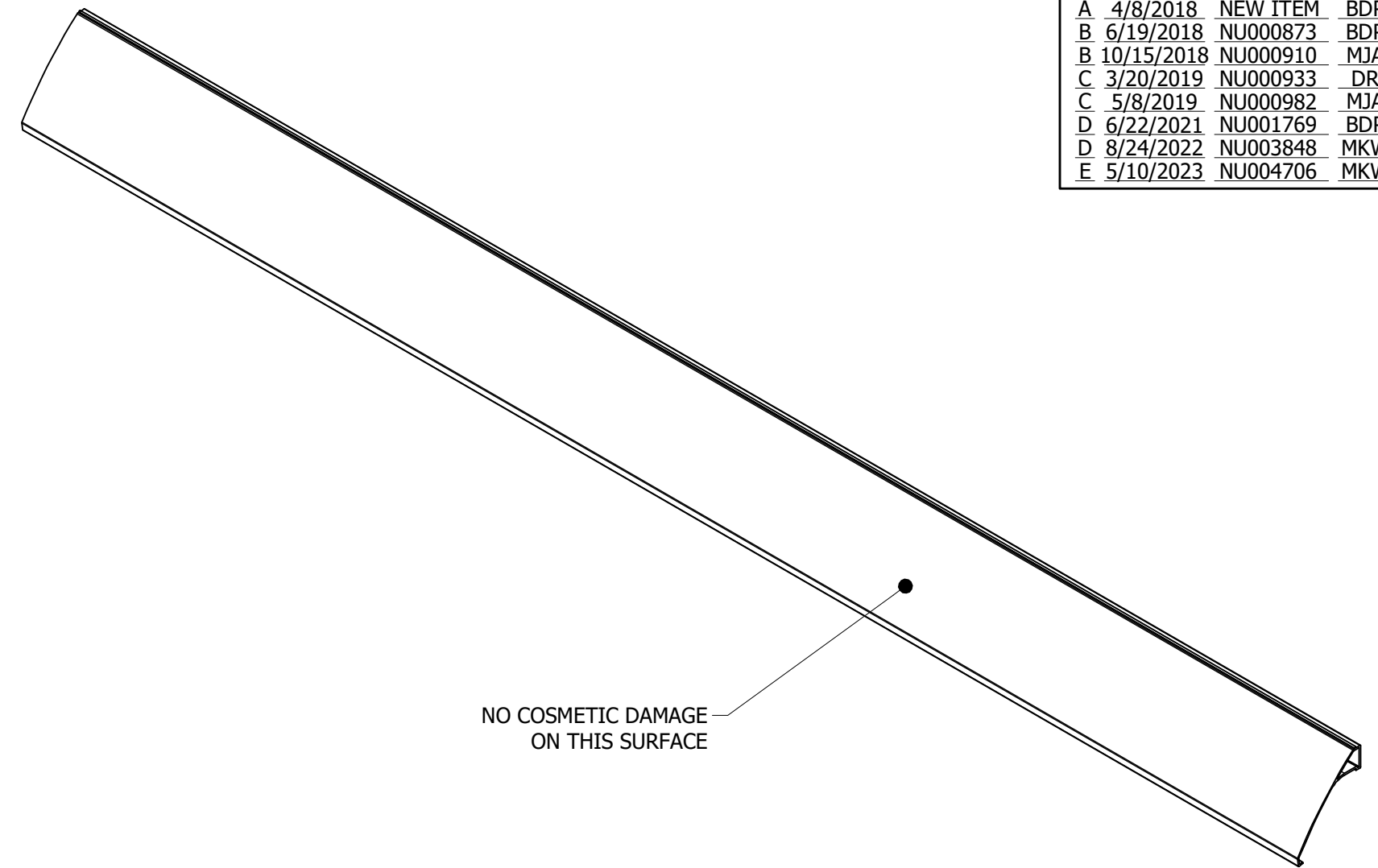
CRITICAL DIMENSIONS IN BOLD

REFER TO 3D CAD FILE FOR DIMENSIONS NOT SHOWN IN DRAWING

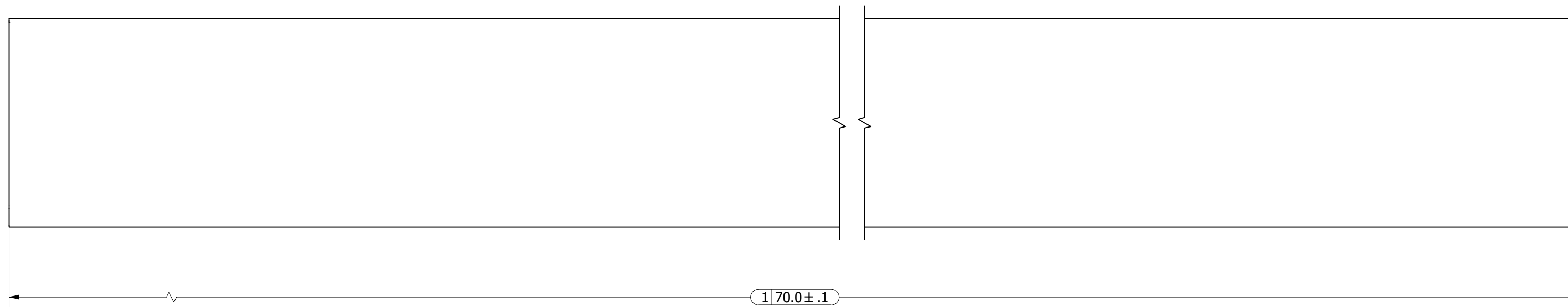
DEBURR ROUGH EDGES (NO HANGING BURR)

THIS IS A COSMETIC PART TAKE CARE TO MINIMIZE DAMAGE TO THE INDICATED FACES

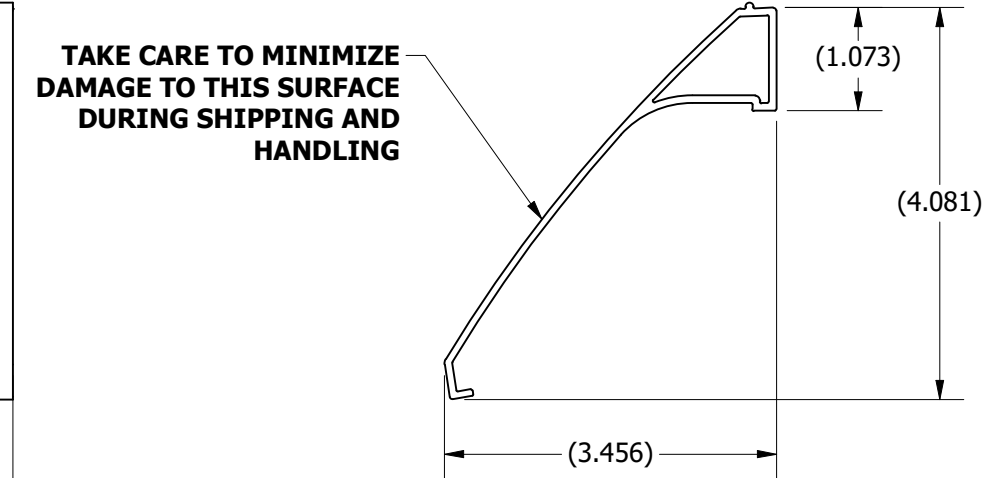
REVISION:		
A	4/8/2018	NEW ITEM BDP
B	6/19/2018	NU000873 BDP
B	10/15/2018	NU000910 MJA
C	3/20/2019	NU000933 DR
C	5/8/2019	NU000982 MJA
D	6/22/2021	NU001769 BDP
D	8/24/2022	NU003848 MKW
E	5/10/2023	NU004706 MKW



NO COSMETIC DAMAGE ON THIS SURFACE



170.0 ± .1



TAKE CARE TO MINIMIZE DAMAGE TO THIS SURFACE DURING SHIPPING AND HANDLING

(1.073)

(4.081)

(3.456)

	MATERIAL:	FINISH:	PART WEIGHT:
	6005-T5 OR 6063-T6 ALUMINUM, PER ASTM B221	BLACK ANODIZED: AA-M10C22A34	4.147 lbmass



SUNRUN INSTALLATION SERVICES INC.  
 225 BUSH STREET, SUITE 1400 • SAN FRANCISCO, CA 94104 USA  
 PHONE (877) 732-2860 • CONTACT@SNAPNRACK.COM  
 THE INFORMATION IN THIS DRAWING IS CONFIDENTIAL AND PROPRIETARY. ANY REPRODUCTION, DISCLOSURE, OR USE THEREOF IS PROHIBITED WITHOUT THE WRITTEN CONSENT OF SNAPNRACK.

DESIGNER: B.PETERSON  
 DRAFTER: D.RYAN  
 APPROVER: B.PETERSON

SHEET NUMBER: 1:1  
 SHEET SIZE: C

SCALE: DNS  
 DATE: 5/10/2023

UNITS OF MEASURE:  
 IN, LB, DEG  
 [MM, KG, DEG]

DESCRIPTION: SNAPNRACK, UNIVERSAL LANDSCAPE SKIRT, 70IN, BLACK

PART NUMBER: 232-02492

REV E