

DESCRIPTION:
SNAPNRACK, DECKANCHOR 2.5

DOC NUMBER:
SNR-DC-01313

SnapNrack®

PART NUMBER(S):
242-10035

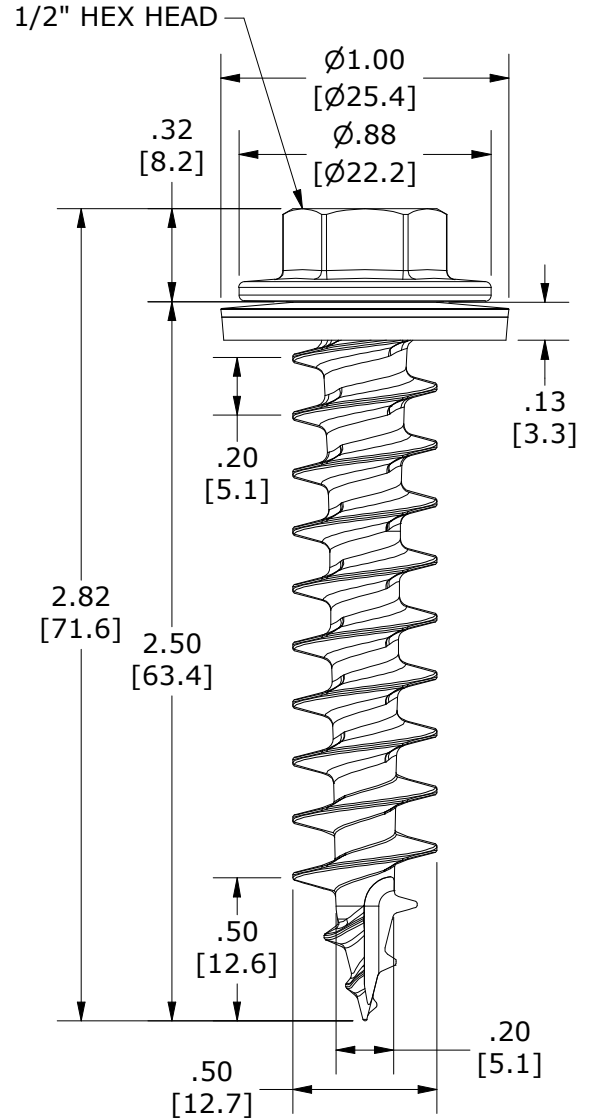
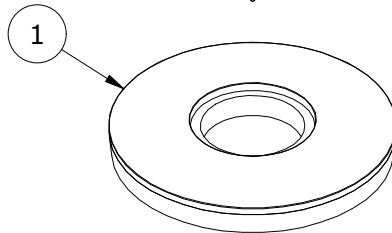
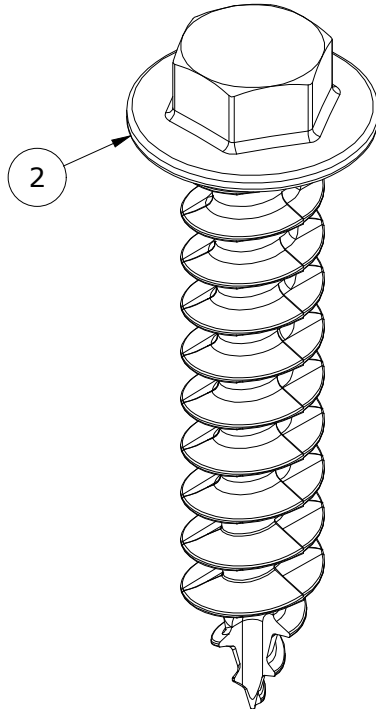
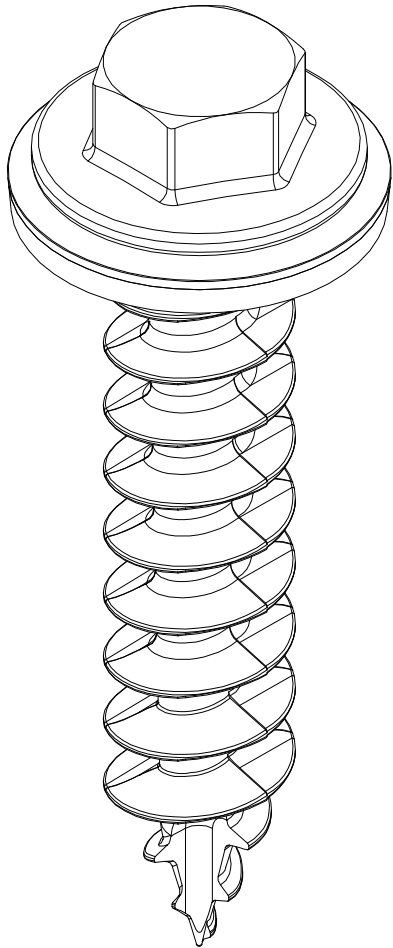
DRAWN BY:
mwatkins

SUNRUN INSTALLATION SERVICES INC.

REV: **A** DATE: 8/18/2023

225 BUSH STREET, SUITE 1400 • SAN FRANCISCO, CA 94104 USA
PHONE (877) 732-2860 • CONTACT@SNAPNRACK.COM
THE INFORMATION IN THIS DRAWING IS CONFIDENTIAL AND PROPRIETARY. ANY REPRODUCTION, DISCLOSURE, OR USE THEREOF IS PROHIBITED WITHOUT THE WRITTEN CONSENT OF SUNRUN SOUTH LLC.

UNITS: IN, LB, DEG [MM, KG, DEG] SHEET: 1:1



PARTS LIST

ITEM	QTY	DESCRIPTION
1	1	WASHER, METAL BONDED SEALING, FOR 3/8IN SCREW, 1IN OD
2	1	SNAPNRACK, DECKANCHOR, 1/2IN X 2-1/2IN, ZN

MATERIALS: ZINC ALLOY, GALVANIZED STEEL, EPDM RUBBER

DESIGN LOAD (LBS): N/A

ULTIMATE LOAD (LBS): N/A

TORQUE SPECIFICATION: N/A FT-LBS

CERTIFICATION: ASTM D1761

WEIGHT (LBS): 0.08