

DESCRIPTION:  
**SNAPRACK & S-5!, TDS, ALL PURPOSE L FOOT  
 WITH S-5-N MINI**

DOC NUMBER:  
 SNR-DC-01310

**SnapNrack®**

PART NUMBER(S):

242-10043

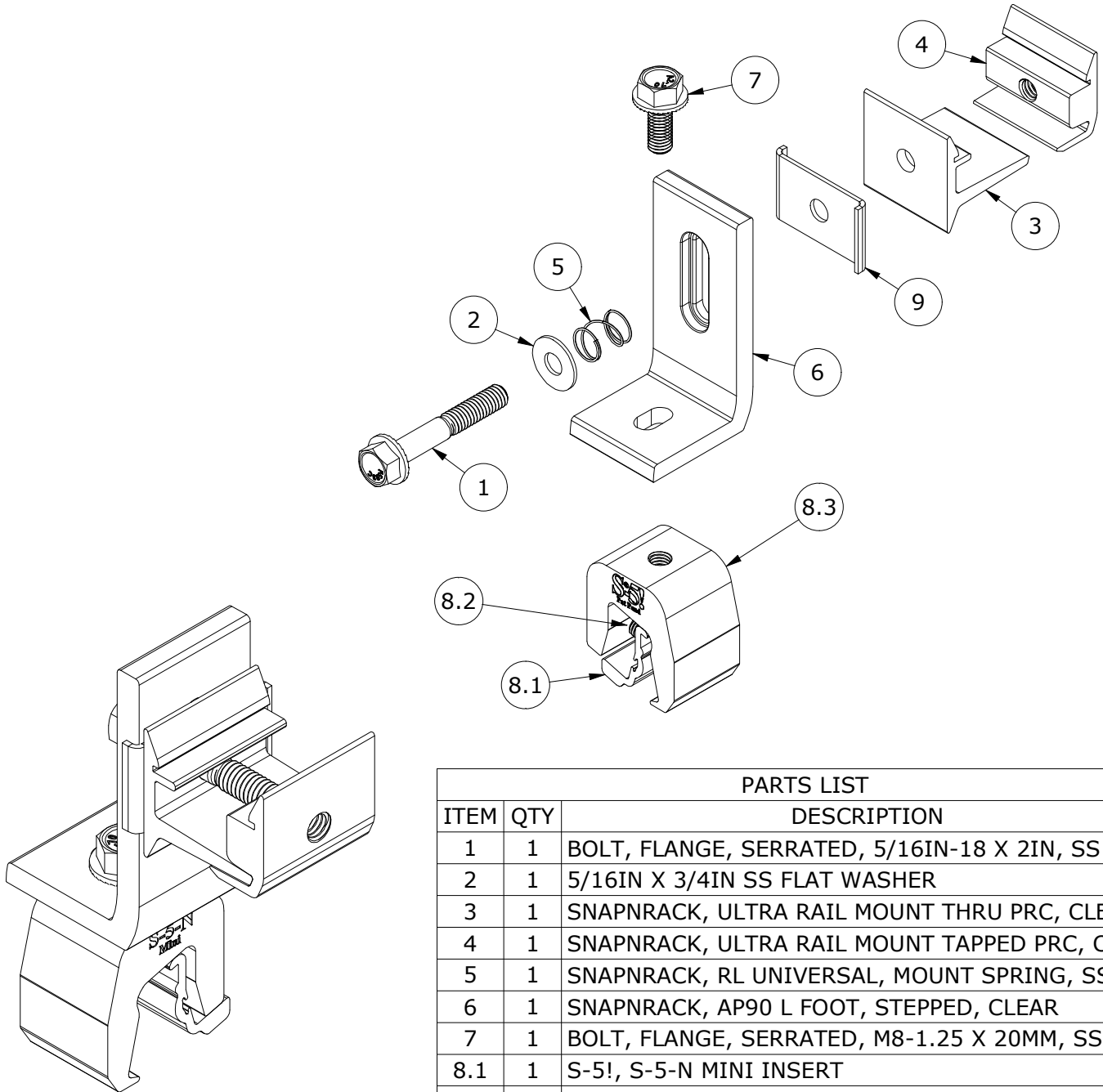
DRAWN BY:  
 M.WATKINS

REV: **A**      DATE: 6/9/2023

SUNRUN INSTALLATION SERVICES INC.  
 225 BUSH STREET, SUITE 1400 • SAN FRANCISCO, CA 94104 USA  
 PHONE (877) 732-2860 • CONTACT@SNAPNRACK.COM  
THE INFORMATION IN THIS DRAWING IS CONFIDENTIAL AND PROPRIETARY. ANY REPRODUCTION, DISCLOSURE, OR USE THEREOF IS PROHIBITED WITHOUT THE WRITTEN CONSENT OF SUNRUN SOUTH LLC.

UNITS: IN, LB, DEG [MM, KG, DEG]

SHEET: 1:2



**PARTS LIST**

ITEM	QTY	DESCRIPTION
1	1	BOLT, FLANGE, SERRATED, 5/16IN-18 X 2IN, SS
2	1	5/16IN X 3/4IN SS FLAT WASHER
3	1	SNAPRACK, ULTRA RAIL MOUNT THRU PRC, CLEAR
4	1	SNAPRACK, ULTRA RAIL MOUNT TAPPED PRC, CLEAR
5	1	SNAPRACK, RL UNIVERSAL, MOUNT SPRING, SS
6	1	SNAPRACK, AP90 L FOOT, STEPPED, CLEAR
7	1	BOLT, FLANGE, SERRATED, M8-1.25 X 20MM, SS
8.1	1	S-5!, S-5-N MINI INSERT
8.2	1	S-5!, SET SCREW, M8-1.25 X 10MM, SS
8.3	1	S-5!, S-5-N MINI BODY
9	1	SNAPRACK, SEAM CLAMP ROTATION LOCK

MATERIALS:

6000 SERIES ALUMINUM, STAINLESS STEEL

DESIGN LOAD (LBS):

VARIES, REFER TO SNAPNRACK ENGINEERING

ULTIMATE LOAD (LBS):

VARIES, REFER TO SNAPNRACK ENGINEERING

TORQUE SPECIFICATION:

12-13 FT-LBS

CERTIFICATION:

UL 2703, FILE E359313

WEIGHT (LBS):

0.65

DESCRIPTION:  
SNAPNRACK & S-5!, TDS, ALL PURPOSE L FOOT  
WITH S-5-N MINI

DOC NUMBER:  
SNR-DC-01310

SnapNrack®

PART NUMBER(S):

242-10043

DRAWN BY:  
M. WATKINS

REV:

A

DATE:

6/9/2023

SUNRUN INSTALLATION SERVICES INC.

225 BUSH STREET, SUITE 1400 • SAN FRANCISCO, CA 94104 USA  
PHONE (877) 732-2860 • CONTACT@SNAPNRACK.COM

THE INFORMATION IN THIS DRAWING IS CONFIDENTIAL AND PROPRIETARY. ANY  
REPRODUCTION, DISCLOSURE, OR USE THEREOF IS PROHIBITED WITHOUT THE  
WRITTEN CONSENT OF SUNRUN SOUTH LLC.

UNITS: IN, LB, DEG [MM, KG, DEG]

SHEET: 2:2

