
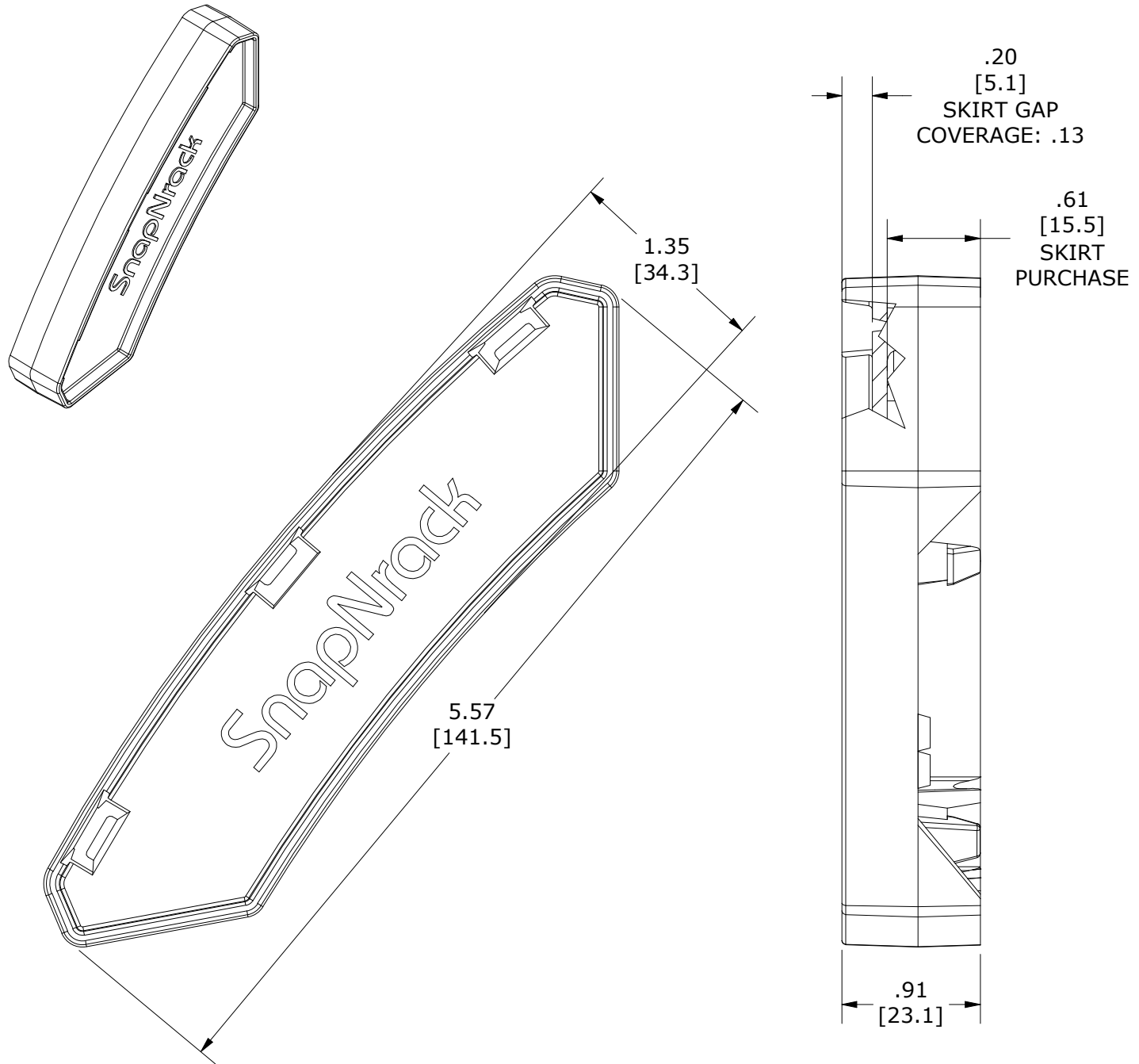


DESCRIPTION: UNIVERSAL SKIRT CAP		DOC NUMBER: SNR-DC-01325			
PART NUMBER(S): 232-10019		DRAWN BY: D.Ryan			
UNITS: IN, LB, DEG [MM, KG, DEG]		SHEET: 1:1		REV: B	DATE: 1/19/2023

SUNRUN INSTALLATION SERVICES INC.
 225 BUSH STREET, SUITE 1400 • SAN FRANCISCO, CA 94104 USA
 PHONE (877) 732-2860 • CONTACT@SNAPNRACK.COM
THE INFORMATION IN THIS DRAWING IS CONFIDENTIAL AND PROPRIETARY. ANY REPRODUCTION, DISCLOSURE, OR USE THEREOF IS PROHIBITED WITHOUT THE WRITTEN CONSENT OF SUNRUN SOUTH LLC.



MATERIALS:	BLACK POLYCARBONATE
DESIGN LOAD (LBS):	N/A
ULTIMATE LOAD (LBS):	N/A
TORQUE SPECIFICATION:	N/A FT-LBS
CERTIFICATION:	N/A
WEIGHT (LBS):	0.065