

DESCRIPTION:
SNAPNRACK, TDS, ULTRA RAIL TILT-MOUNT KIT, OMNIBASE

DOC NUMBER:
 SNR-DC-01324

SnapNrack®

PART NUMBER(S):

242-10019, 242-10020, 242-10021, 242-10022

DRAWN BY:
 M.AFFENTRANGER

REV:

B

DATE:

1/25/2023

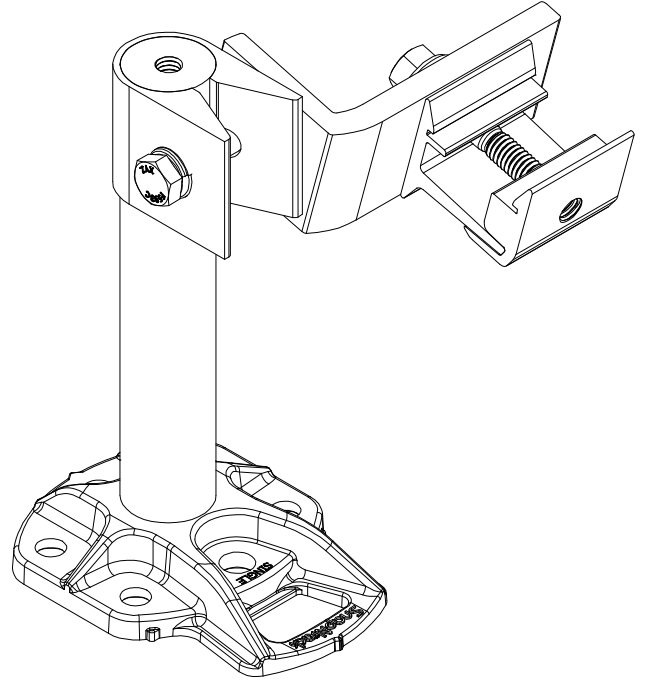
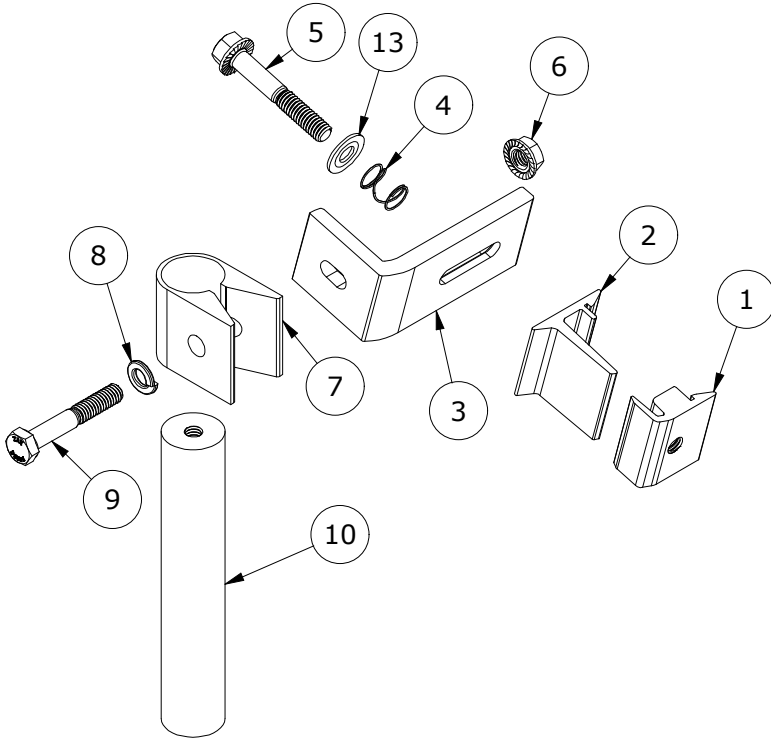
SUNRUN INSTALLATION SERVICES INC.

225 BUSH STREET, SUITE 1400 • SAN FRANCISCO, CA 94104 USA
 PHONE (877) 732-2860 • CONTACT@SNAPNRACK.COM

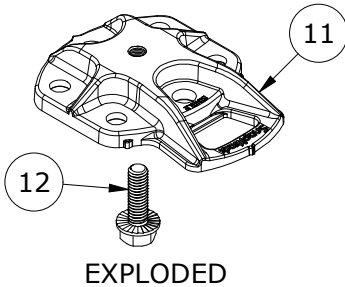
THE INFORMATION IN THIS DRAWING IS CONFIDENTIAL AND PROPRIETARY. ANY REPRODUCTION, DISCLOSURE, OR USE THEREOF IS PROHIBITED WITHOUT THE WRITTEN CONSENT OF SUNRUN SOUTH LLC.

UNITS: IN, LB, DEG [MM, KG, DEG]

SHEET: 1:3



ISO



PARTS LIST

ITEM	QTY	DESCRIPTION
1	1	SNAPNRACK, ULTRA RAIL MOUNT TAPPED PRC, CLEAR
2	1	SNAPNRACK, ULTRA RAIL MOUNT THRU PRC, CLEAR
3	1	SNAPNRACK, AP90 L FOOT, STEPPED, CLEAR
4	1	SNAPNRACK, RL UNIVERSAL, MOUNT SPRING, SS
5	1	BOLT, FLANGE, SERRATED, 5-16IN-18 X 2IN, SS
6	1	NUT, FLANGE, SERRATED, 5-16IN-18, SS
7	1	SNAPNRACK STANDOFF CLAMP CLEAR
8	1	WASHER, LOCK, 5-16IN, SPLIT, SS
9	1	5-16IN-18 X 2IN SS HCS BOLT
10	1	SNAPNRACK STANDOFF SHAFT, LENGTH VARIES
11	1	SNAPNRACK, OMNIBASE, CASTING
12	1	BOLT, FLANGE, SERRATED, 5/16IN-18 X 1IN, SS
13	1	5-16IN X 3-4IN SS FLAT WASHER

MATERIALS:

6000 SERIES ALUMINUM, A380 ALUMINUM, 300 SERIES STAINLESS STEEL

DESIGN LOAD (LBS):

655 UP, 1333 DOWN, 190 SIDE, 161 LATERAL

ULTIMATE LOAD (LBS):

N/A

TORQUE SPECIFICATION:

12 FT-LBS

CERTIFICATION:

UL 2703, FILE E359313

WEIGHT (LBS):

REFER TO TABLE ON THE NEXT SHEET

DESCRIPTION:
SNAPNRACK, TDS, ULTRA RAIL TILT-MOUNT KIT, OMNIBASE

DOC NUMBER:
 SNR-DC-01324

SnapNrack®

PART NUMBER(S):

242-10019, 242-10020, 242-10021, 242-10022

DRAWN BY:
 M.AFFENTRANGER

REV:

B

DATE:

1/25/2023

SUNRUN INSTALLATION SERVICES INC.

225 BUSH STREET, SUITE 1400 • SAN FRANCISCO, CA 94104 USA
 PHONE (877) 732-2860 • CONTACT@SNAPNRACK.COM

THE INFORMATION IN THIS DRAWING IS CONFIDENTIAL AND PROPRIETARY. ANY REPRODUCTION, DISCLOSURE, OR USE THEREOF IS PROHIBITED WITHOUT THE WRITTEN CONSENT OF SUNRUN SOUTH LLC.

UNITS: IN, LB, DEG [MM, KG, DEG]

SHEET: 2:3

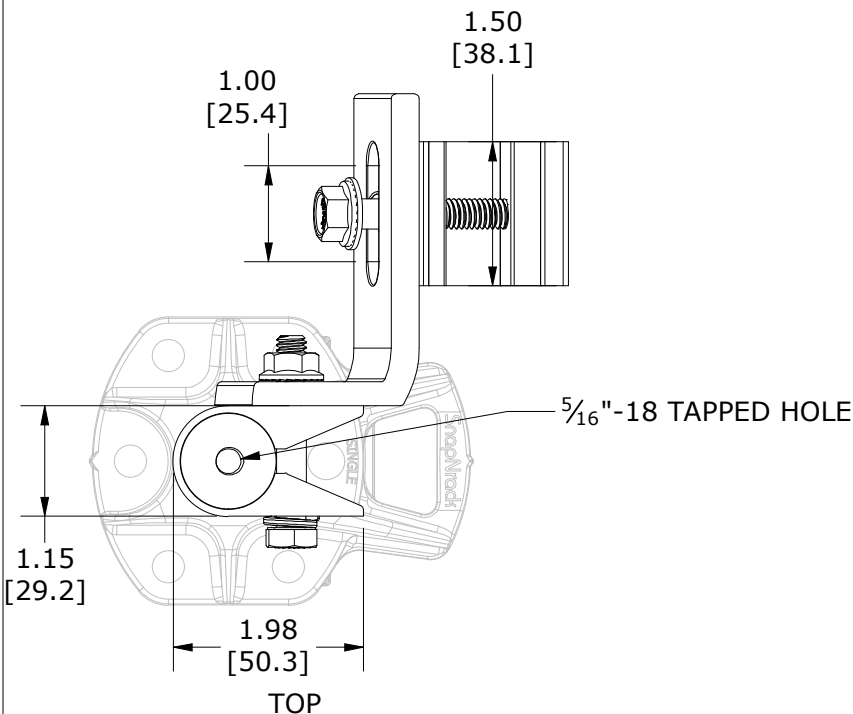
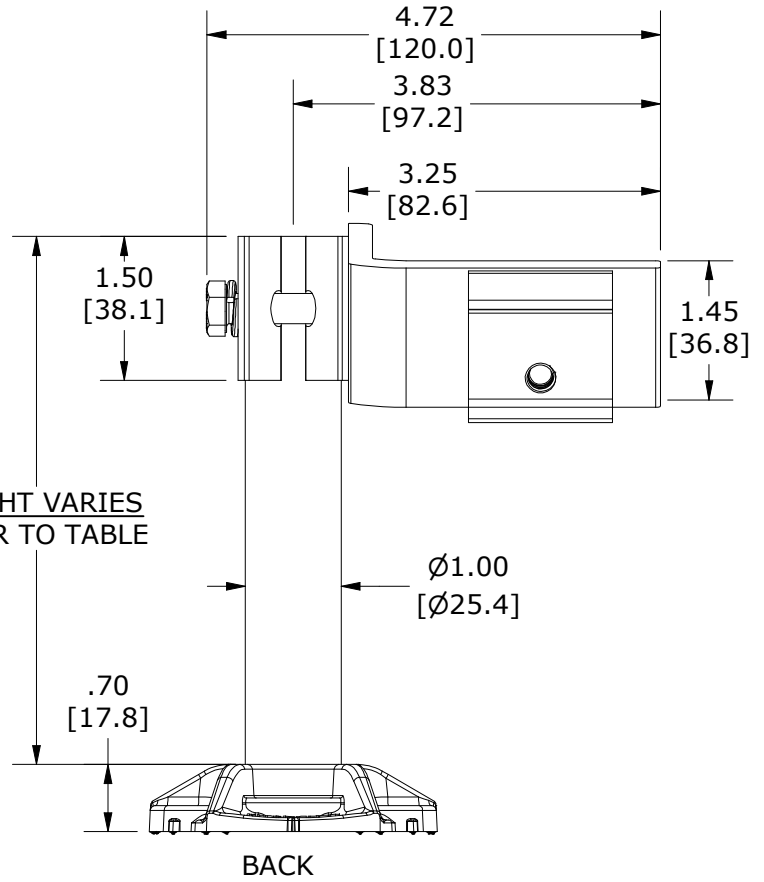
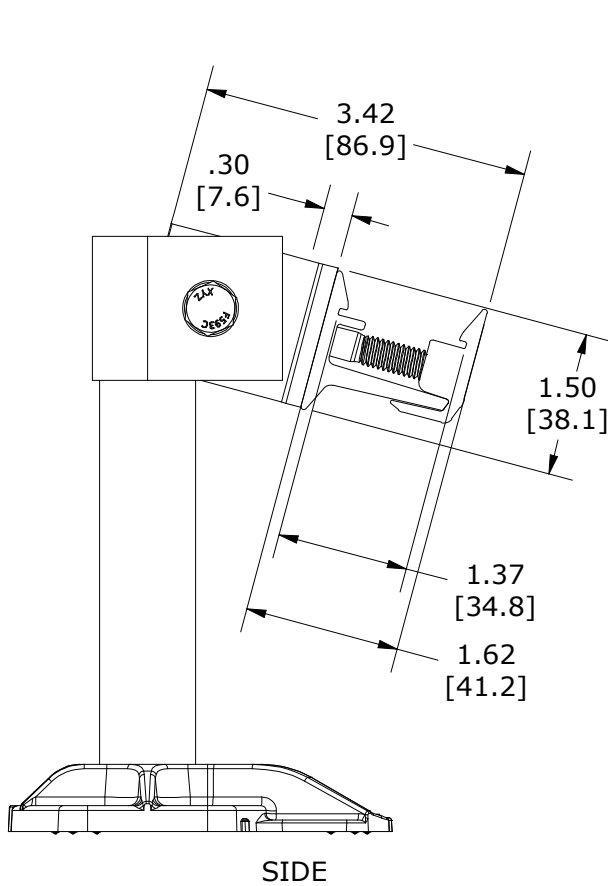


TABLE OF PROPERTIES		
ITEM	STANDOFF LENGTH	WEIGHT (LBS)
242-10019	5-1/2"	1.23
242-10020	10"	1.55
242-10021	14"	1.83
242-10022	23"	2.48

DESCRIPTION:
SNAPNRACK, TDS, ULTRA RAIL TILT-MOUNT KIT,
OMNIBASE

DOC NUMBER:
SNR-DC-01324

SnapNrack®

PART NUMBER(S):

242-10019, 242-10020, 242-10021, 242-10022

DRAWN BY:
M.AFFENTRANGER

REV:

B

DATE:

1/25/2023

SUNRUN INSTALLATION SERVICES INC.

225 BUSH STREET, SUITE 1400 • SAN FRANCISCO, CA 94104 USA
PHONE (877) 732-2860 • CONTACT@SNAPNRACK.COM

THE INFORMATION IN THIS DRAWING IS CONFIDENTIAL AND PROPRIETARY. ANY
REPRODUCTION, DISCLOSURE, OR USE THEREOF IS PROHIBITED WITHOUT THE
WRITTEN CONSENT OF SUNRUN SOUTH LLC.

UNITS: IN, LB, DEG [MM, KG, DEG]

SHEET: 3:3

