

DESCRIPTION:  
**SNAPNRACK, TDS, ULTRA RAIL FLUSH-MOUNT  
 KIT, OMNIBASE**

DOC NUMBER:  
 SNR-DC-01315

**SnapNrack®**

PART NUMBER(S):  
 242-10016, 242-10017, 242-10018

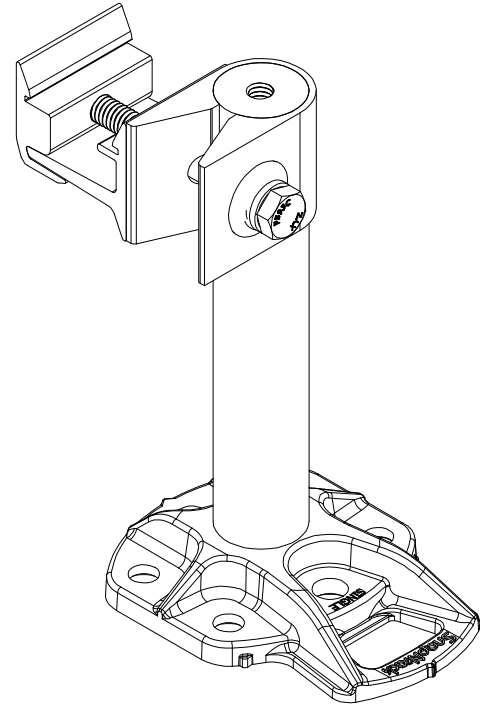
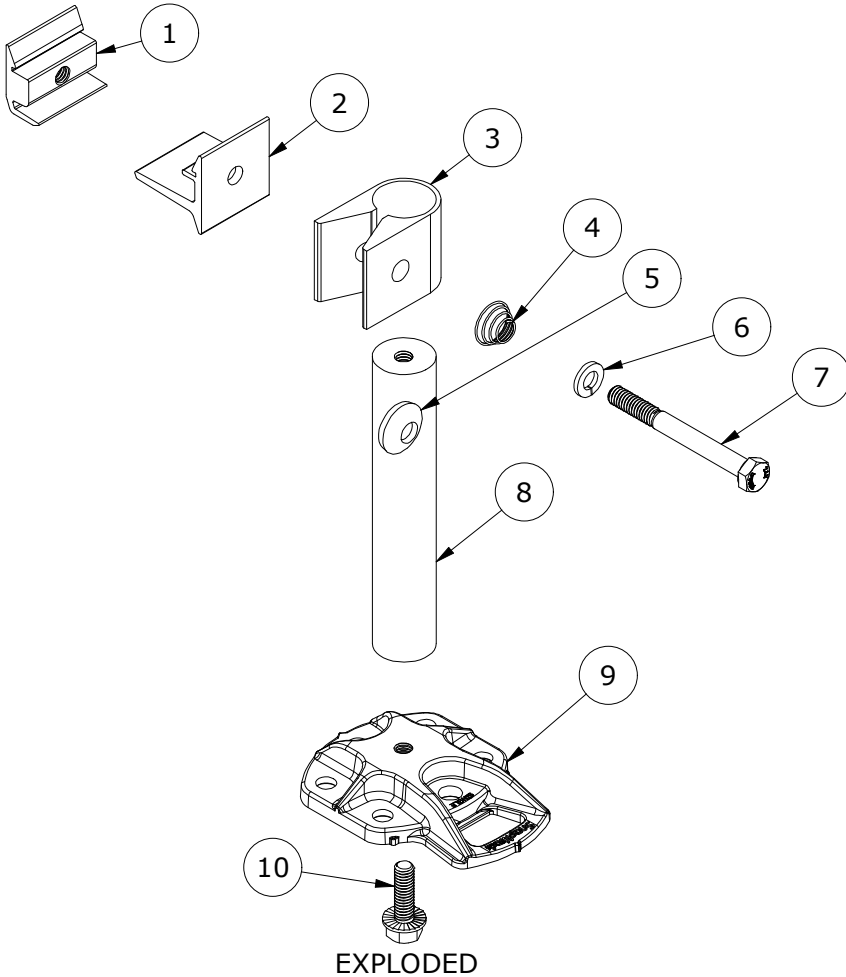
DRAWN BY:  
 M.AFFENTRANGER

SUNRUN INSTALLATION SERVICES INC.

UNITS: IN, LB, DEG [MM, KG, DEG] SHEET: 1:2

REV: **C** DATE:  
 1/25/2023

225 BUSH STREET, SUITE 1400 • SAN FRANCISCO, CA 94104 USA  
 PHONE (877) 732-2860 • CONTACT@SNAPNRACK.COM  
 THE INFORMATION IN THIS DRAWING IS CONFIDENTIAL AND PROPRIETARY. ANY  
 REPRODUCTION, DISCLOSURE, OR USE THEREOF IS PROHIBITED WITHOUT THE  
 WRITTEN CONSENT OF SUNRUN SOUTH LLC.



ISO

EXPLODED

PARTS LIST		
ITEM	QTY	DESCRIPTION
1	1	SNAPNRACK, ULTRA RAIL MOUNT TAPPED PRC, CLEAR
2	1	SNAPNRACK, ULTRA RAIL MOUNT THRU PRC, CLEAR
3	1	SNAPNRACK STANDOFF CLAMP CLEAR
4	1	SNAPNRACK, ULTRA RAIL MOUNT SPRING
5	1	SNAPNRACK, ULTRA RAIL MOUNT SPRING CAGE
6	1	5-16IN SS SPLIT LOCK WASHER
7	1	5-16IN-18 X 3IN SS HCS BOLT
8	1	SNAPNRACK STANDOFF SHAFT, LENGTH VARIES
9	1	SNAPNRACK, OMNIBASE, CASTING
10	1	BOLT, FLANGE, SERRATED, 5/16IN-18 X 1IN, SS

MATERIALS: 6000 SERIES ALUMINUM, A380 ALUMINUM, 300 SERIES STAINLESS STEEL

DESIGN LOAD (LBS): 655 UP, 1333 DOWN, 304 SIDE, 266 LATERAL

ULTIMATE LOAD (LBS): 1473 UP, 4000 DOWN, 762 SIDE, 665 LATERAL

TORQUE SPECIFICATION: 12 FT-LBS

CERTIFICATION: UL 2703, FILE E359313

WEIGHT (LBS): REFER TO TABLE ON NEXT PAGE

DESCRIPTION:  
**SNAPNRACK, TDS, ULTRA RAIL FLUSH-MOUNT  
 KIT, OMNIBASE**

DOC NUMBER:  
 SNR-DC-01315

SnapNrack®

PART NUMBER(S):  
 242-10016, 242-10017, 242-10018

DRAWN BY:  
 M.AFFENTRANGER

SUNRUN INSTALLATION SERVICES INC.

UNITS: IN, LB, DEG [MM, KG, DEG]

SHEET: 2:2

REV: **C**      DATE: 1/25/2023

225 BUSH STREET, SUITE 1400 • SAN FRANCISCO, CA 94104 USA  
 PHONE (877) 732-2860 • CONTACT@SNAPNRACK.COM  
 THE INFORMATION IN THIS DRAWING IS CONFIDENTIAL AND PROPRIETARY. ANY  
 REPRODUCTION, DISCLOSURE, OR USE THEREOF IS PROHIBITED WITHOUT THE  
 WRITTEN CONSENT OF SUNRUN SOUTH LLC.

