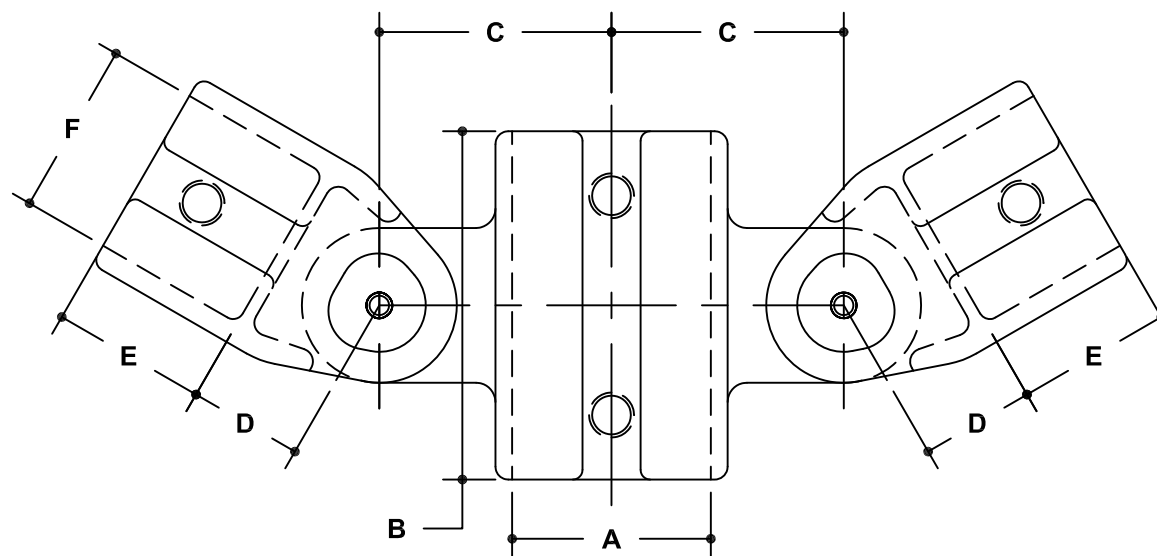
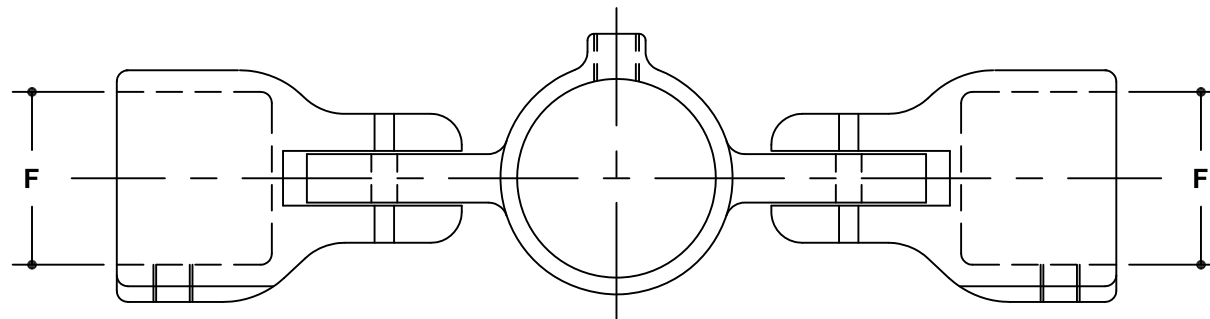


NOTE: DIMENSIONS LOCATED IN BOXES ARE COMMON
SETBACK DIMENSIONS FOR EACH FITTING



#19 Adjustable Reducing Cross Assembly

SCALE: HALF

ENGLISH UNITS (Inches)							
PIPE SIZE	A	B	C	D	E	F	G
2" x 1½"	2.40	3.88	2.63	1.11	1.73	1.93	
1½" x 1¼"	1.93	3.38	2.25	1.13	1.44	1.68	
1¼" x 1"	1.68	2.75	1.94	0.86	1.14	1.33	
1" x ¾"	1.33	2.38	1.63	0.97	0.97	1.07	

METRIC UNITS (mm)							
PIPE SIZE	A	B	C	D	E	F	G
2" x 1½"	61	99	67	28	44	49	
1½" x 1¼"	49	86	57	29	37	43	
1¼" x 1"	43	70	49	22	29	34	
1" x ¾"	34	60	41	25	25	27	