

DESCRIPTION:  
SNAPNRACK, TDS, UR-40 RAIL

DOC NUMBER:  
SNR-DC-01352



PART NUMBER(S):  
232-02536, 232-02537, 232-02538, 232-02550,  
232-02551

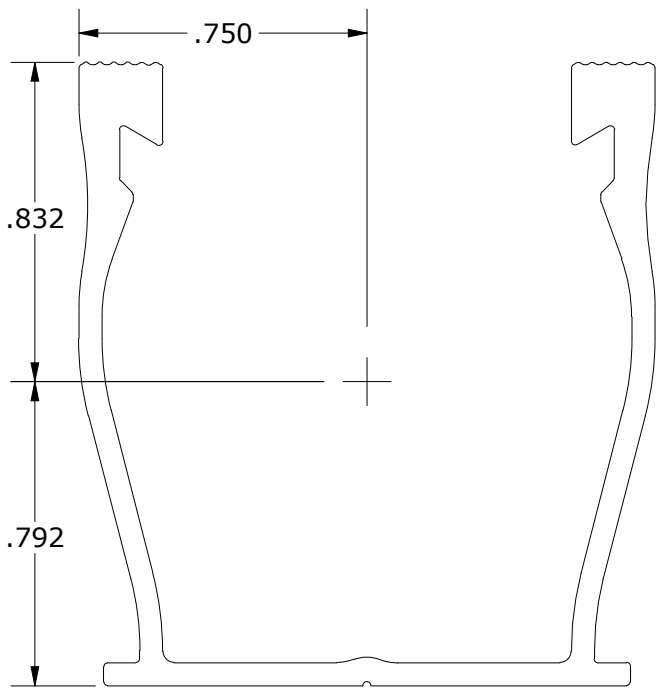
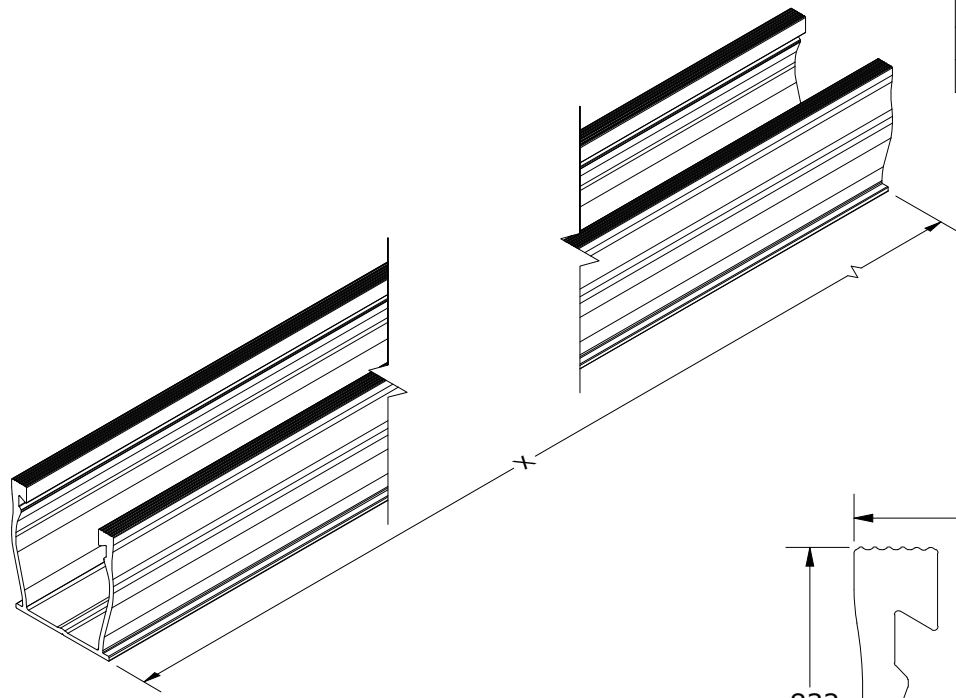
DRAWN BY:  
H.WULFEKOETTER

SUNRUN INSTALLATION SERVICES INC.  
225 BUSH STREET, SUITE 1400 • SAN FRANCISCO, CA 94104 USA  
PHONE (877) 732-2860 • CONTACT@SNAPNRACK.COM  
THE INFORMATION IN THIS DRAWING IS CONFIDENTIAL AND PROPRIETARY. ANY REPRODUCTION, DISCLOSURE, OR USE THEREOF IS PROHIBITED WITHOUT THE WRITTEN CONSENT OF SUNRUN SOUTH LLC.

UNITS: IN, LB, DEG [MM, KG, DEG]      SHEET: 1:1

REV:      DATE:  
**E**      8/23/2023

UR-40 RAIL PROPERTIES		
SKU	FINISH	RAIL LENGTH
232-02536	MILL	172 in
232-02537	SILVER	172 in
232-02538	BLACK	172 in
232-02550	MILL	86 in
232-02551	BLACK	86 in



SECTION PROPERTIES	
A	0.357 in <sup>2</sup>
I <sub>xx</sub>	0.125 in <sup>4</sup>
I <sub>yy</sub>	0.132 in <sup>4</sup>
S <sub>x</sub> (TOP)	0.150 in <sup>3</sup>
S <sub>x</sub> (BOT)	0.158 in <sup>3</sup>
S <sub>y</sub> (LEFT)	0.175 in <sup>3</sup>
S <sub>y</sub> (RIGHT)	0.175 in <sup>3</sup>

MATERIALS:	6000 SERIES ALUMINUM
DESIGN LOAD (LBS):	N/A
ULTIMATE LOAD (LBS):	N/A
TORQUE SPECIFICATION:	N/A FT-LBS
CERTIFICATION:	UL 2703, FILE E359313
WEIGHT (LBS):	5.85 - 5.99 (172 in), 2.93 - 3.07 (84 in)