

DESCRIPTION:  
**SNAPNRACK, TDS, RL UNIVERSAL, SPEEDSEAL TRACK**

DOC NUMBER:  
 SNR-DC-01336

**SnapNrack®**

PART NUMBER(S):

232-01464

DRAWN BY:  
 H.WULFEKOETTER

REV:

DATE:

**A**

1/19/2023

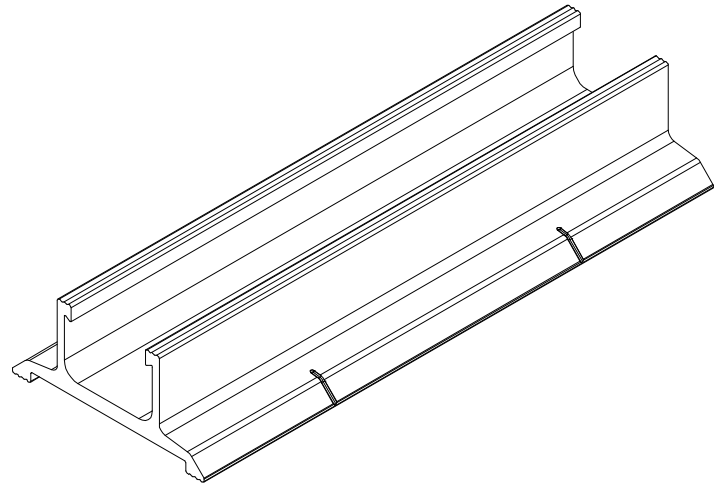
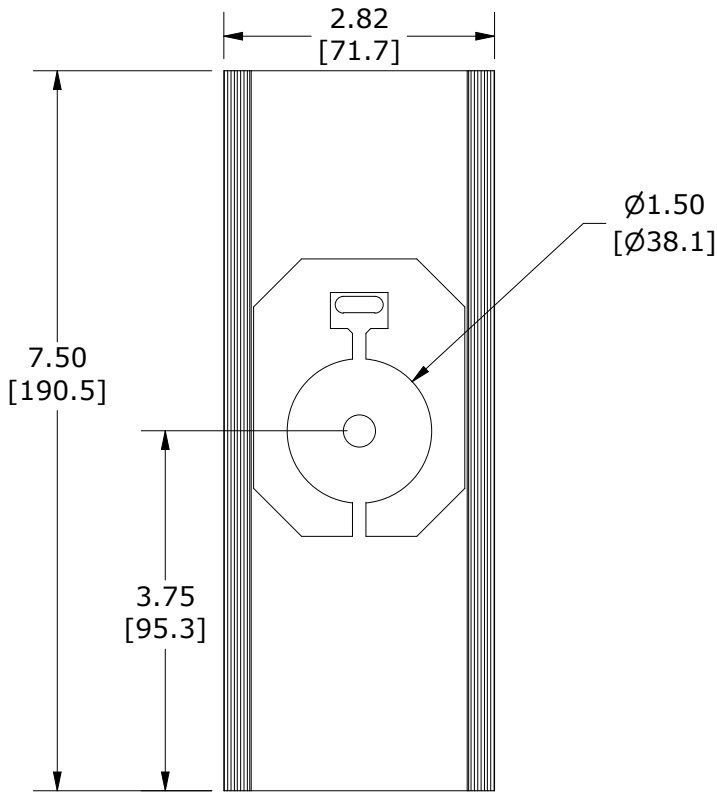
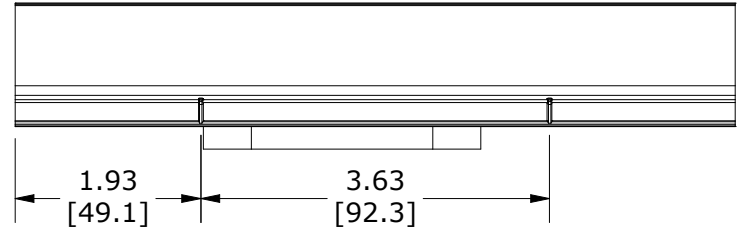
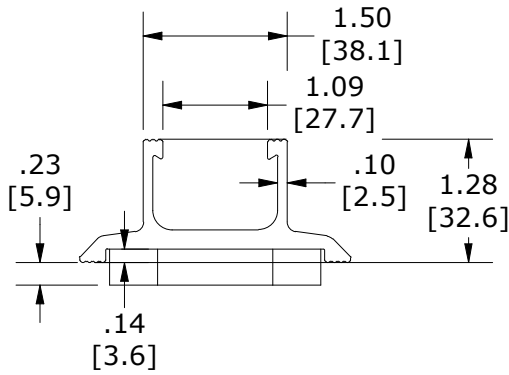
SUNRUN INSTALLATION SERVICES INC.

225 BUSH STREET, SUITE 1400 • SAN FRANCISCO, CA 94104 USA  
 PHONE (877) 732-2860 • CONTACT@SNAPNRACK.COM

THE INFORMATION IN THIS DRAWING IS CONFIDENTIAL AND PROPRIETARY. ANY REPRODUCTION, DISCLOSURE, OR USE THEREOF IS PROHIBITED WITHOUT THE WRITTEN CONSENT OF SUNRUN SOUTH LLC.

UNITS: IN, LB, DEG [MM, KG, DEG]

SHEET: 1:1



MATERIALS:

6000 SERIES ALUMINUM, FOAM RUBBER

DESIGN LOAD (LBS):

623 UP, 674 DOWN, 505 SIDE

ULTIMATE LOAD (LBS):

N/A

TORQUE SPECIFICATION:

N/A FT-LBS

CERTIFICATION:

UL2703, FILE E359313; WIND-DRIVEN RAIN TEST FROM UL SUBJECT 2582

WEIGHT (LBS):

0.565