

DESCRIPTION:
SNAPNRACK, TDS, ULTRA RAIL SPEEDSEAL DECKFOOT

DOC NUMBER:
 SNR-DC-01332

SnapNrack®

PART NUMBER(S):
 242-02173, 242-02174

DRAWN BY:
 H.WULFEKOETTER

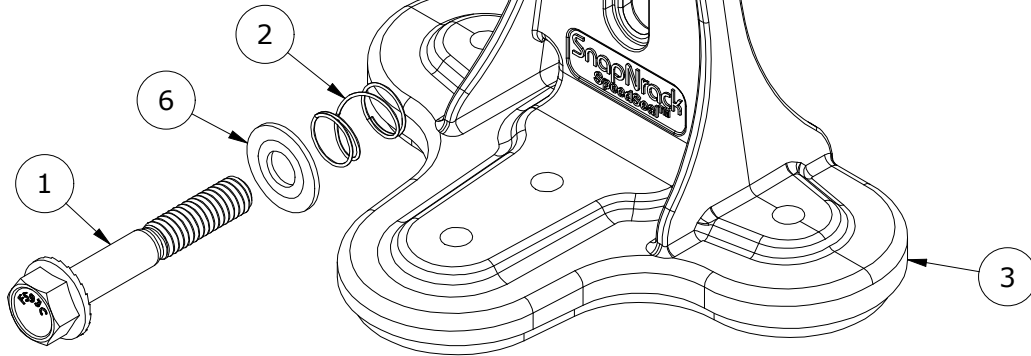
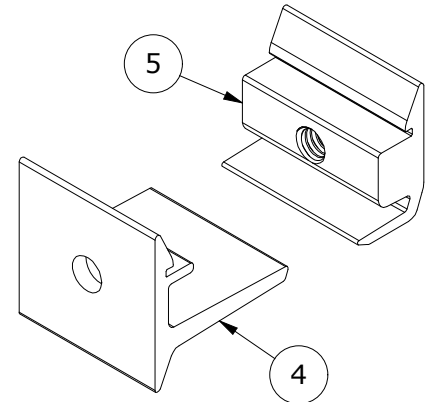
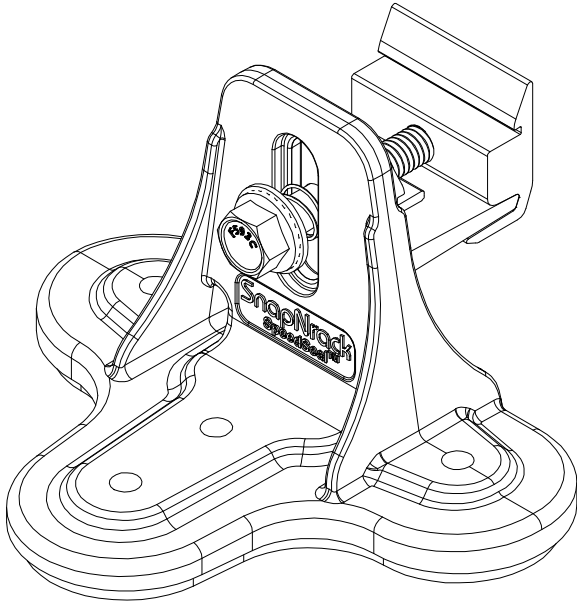
SUNRUN INSTALLATION SERVICES INC.

REV: **C** DATE:
 1/19/2023

225 BUSH STREET, SUITE 1400 • SAN FRANCISCO, CA 94104 USA
 PHONE (877) 732-2860 • CONTACT@SNAPNRACK.COM
THE INFORMATION IN THIS DRAWING IS CONFIDENTIAL AND PROPRIETARY. ANY REPRODUCTION, DISCLOSURE, OR USE THEREOF IS PROHIBITED WITHOUT THE WRITTEN CONSENT OF SUNRUN SOUTH LLC.

UNITS: IN, LB, DEG [MM, KG, DEG] SHEET: 1:2

SKU	COLOR
242-02173	SILVER
242-02174	BLACK



PARTS LIST		
ITEM	QTY	DESCRIPTION
1	1	BOLT, FLANGE, SERRATED, 5/16IN-18 X 1-3/4IN, SS
2	1	SNAPNRACK, RL UNIVERSAL, MOUNT SPRING, SS
3	1	SNAPNRACK, SPEEDSEAL DECKFOOT BASE, SEALING, SILVER / BLACK
4	1	SNAPNRACK, ULTRA RAIL MOUNT THRU PRC, CLEAR
5	1	SNAPNRACK, ULTRA RAIL MOUNT TAPPED PRC, CLEAR
6	1	5-16IN X 3-4IN SS FLAT WASHER

MATERIALS:	DIE CAST A380 ALUMINUM, 6000 SERIES ALUMINUM, STAINLESS STEEL, FOAM
DESIGN LOAD (LBS):	SEE STRUCTURAL ENGINEERING
ULTIMATE LOAD (LBS):	SEE STRUCTURAL ENGINEERING
TORQUE SPECIFICATION:	12 FT-LBS
CERTIFICATION:	UL 2703, FILE E359313; WIND-DRIVEN RAIN TEST FROM SUBJECT UL 2582
WEIGHT (LBS):	0.65

DESCRIPTION:
**SNAPNRACK, TDS, ULTRA RAIL SPEEDSEAL
 DECKFOOT**

DOC NUMBER:
 SNR-DC-01332

SnapNrack®

PART NUMBER(S):
 242-02173, 242-02174

DRAWN BY:
 H.WULFEKOETTER

SUNRUN INSTALLATION SERVICES INC.

UNITS: IN, LB, DEG [MM, KG, DEG] SHEET: 2:2

REV: DATE:
C 1/19/2023

225 BUSH STREET, SUITE 1400 • SAN FRANCISCO, CA 94104 USA
 PHONE (877) 732-2860 • CONTACT@SNAPNRACK.COM
 THE INFORMATION IN THIS DRAWING IS CONFIDENTIAL AND PROPRIETARY. ANY
 REPRODUCTION, DISCLOSURE, OR USE THEREOF IS PROHIBITED WITHOUT THE
 WRITTEN CONSENT OF SUNRUN SOUTH LLC.

