

DESCRIPTION:
**SNAPNRACK, TDS, ULTRA RAIL ADJUSTABLE
 TILE HOOK**

DOC NUMBER:
 SNR-DC-01343

SnapNrack®

PART NUMBER(S):

242-02729

DRAWN BY:
 H.WULFEKOETTER

REV: **C** DATE:
 3/16/2023

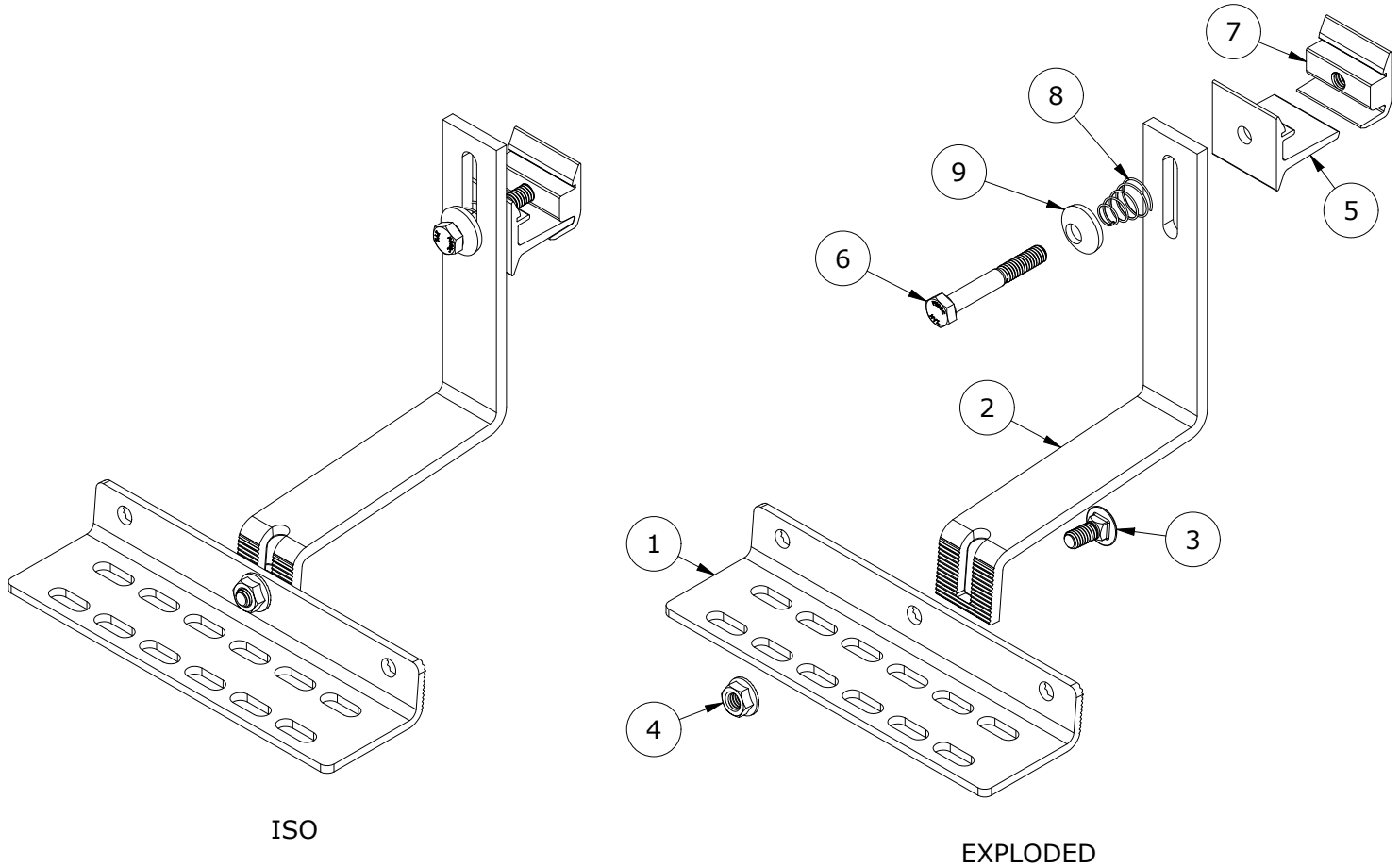
SUNRUN INSTALLATION SERVICES INC.

225 BUSH STREET, SUITE 1400 • SAN FRANCISCO, CA 94104 USA
 PHONE (877) 732-2860 • CONTACT@SNAPNRACK.COM

THE INFORMATION IN THIS DRAWING IS CONFIDENTIAL AND PROPRIETARY. ANY REPRODUCTION, DISCLOSURE, OR USE THEREOF IS PROHIBITED WITHOUT THE WRITTEN CONSENT OF SUNRUN SOUTH LLC.

UNITS: IN, LB, DEG [MM, KG, DEG]

SHEET: 1:2



PARTS LIST		
ITEM	QTY	DESCRIPTION
1	1	SNAPNRACK, ULTRA RAIL, TILE HOOK BASE, ADJUSTABLE
2	1	SNAPNRACK, ULTRA RAIL, TILE HOOK ARM, ADJUSTABLE
3	1	BOLT, CARRIAGE, 5/16IN-18 X 3/4IN, SS
4	1	NUT, FLANGE, SERRATED, 5/16IN-18, SS
5	1	SNAPNRACK, ULTRA RAIL MOUNT THRU PRC, CLEAR
6	1	5/16IN-18 X 2-1/4IN SS HCS BOLT
7	1	SNAPNRACK, ULTRA RAIL MOUNT TAPPED PRC, CLEAR
8	1	SNAPNRACK, ULTRA RAIL MOUNT SPRING, SS
9	1	SNAPNRACK, ULTRA RAIL MOUNT SPRING CAGE

MATERIALS:

6000 SERIES ALUMINUM, STAINLESS STEEL

DESIGN LOAD (LBS):

VARIES BY APPLICATION, REFER TO SNAPNRACK ENGINEERING

ULTIMATE LOAD (LBS):

VARIES BY APPLICATION, REFER TO SNAPNRACK ENGINEERING

TORQUE SPECIFICATION:

12 FT-LBS

CERTIFICATION:

UL 2703, FILE E359313

WEIGHT (LBS):

2.05

DESCRIPTION:
**SNAPNRACK, TDS, ULTRA RAIL ADJUSTABLE
 TILE HOOK**

DOC NUMBER:
 SNR-DC-01343

SnapNrack®

PART NUMBER(S):

242-02729

DRAWN BY:
 H.WULFEKOETTER

SUNRUN INSTALLATION SERVICES INC.

REV: **C** DATE:
 3/16/2023

225 BUSH STREET, SUITE 1400 • SAN FRANCISCO, CA 94104 USA
 PHONE (877) 732-2860 • CONTACT@SNAPNRACK.COM

UNITS: IN, LB, DEG [MM, KG, DEG]

SHEET: 2:2

THE INFORMATION IN THIS DRAWING IS CONFIDENTIAL AND PROPRIETARY. ANY
 REPRODUCTION, DISCLOSURE, OR USE THEREOF IS PROHIBITED WITHOUT THE
 WRITTEN CONSENT OF SUNRUN SOUTH LLC.

