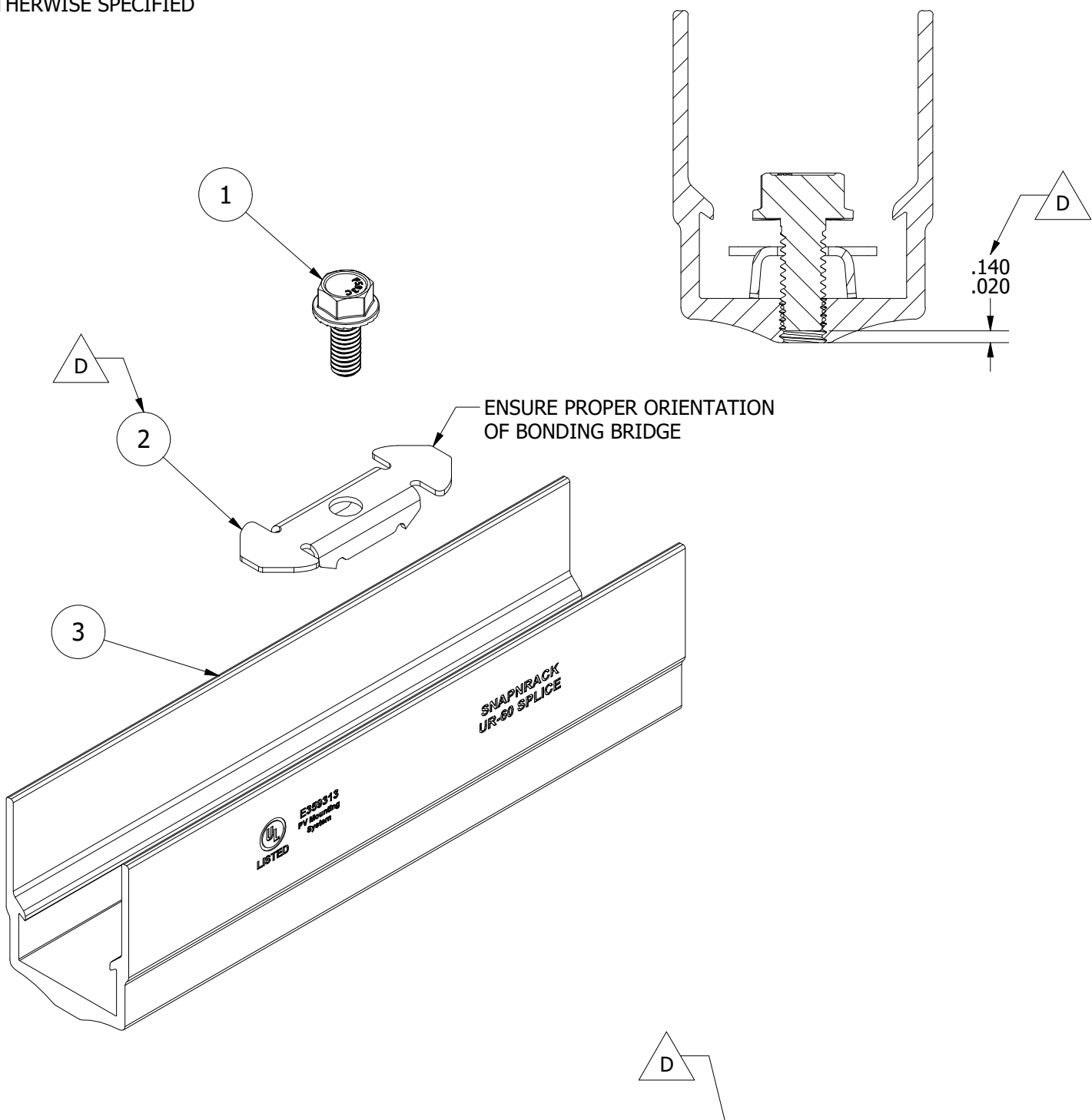


ALL DIMENSIONS IN INCHES UNLESS OTHERWISE SPECIFIED



ASSEMBLER:
INSPECTOR:

PARTS LIST					
ITEM	QTY	REV	PART NUMBER	DESCRIPTION	
1	1	A	162-00100	BOLT, FLANGE, 5-16IN-18 X 3-4IN, CLEAR, SS	
2	1	A	232-10050	SNAPNRACK, UR-60 SPLICE BONDING BRIDGE, SS	
3	1	A	232-02514	SNAPNRACK, UR-60 SPLICE, SLEEVE, SILVER	

DESCRIPTION:
SNAPNRACK, UR-60 SPLICE, SILVER

DRAWN BY: M.AFFENTRANGER
 APPROVED BY: B.PETERSON
 REVISION:
 A 2/15/2019 NEW ITEM MJA
 B 3/4/2019 NU000937 MJA
 B 5/9/2019 NU000983 MJA
 C 6/17/2019 NU000990 MJA
 D 11/8/2022 NU004112 MJA



Sunrun South LLC
 595 MARKET STREET, 29TH FLOOR • SAN FRANCISCO, CA 94105 USA
 PHONE (415) 580-6900 • FAX (415) 580-6902

PART NUMBER: 242-01270
 SCALE: DNS
 REV: D

THE INFORMATION IN THIS DRAWING IS CONFIDENTIAL AND PROPRIETARY. ANY REPRODUCTION, DISCLOSURE, OR USE THEREOF IS PROHIBITED WITHOUT THE WRITTEN CONSENT OF SUNRUN SOUTH LLC.