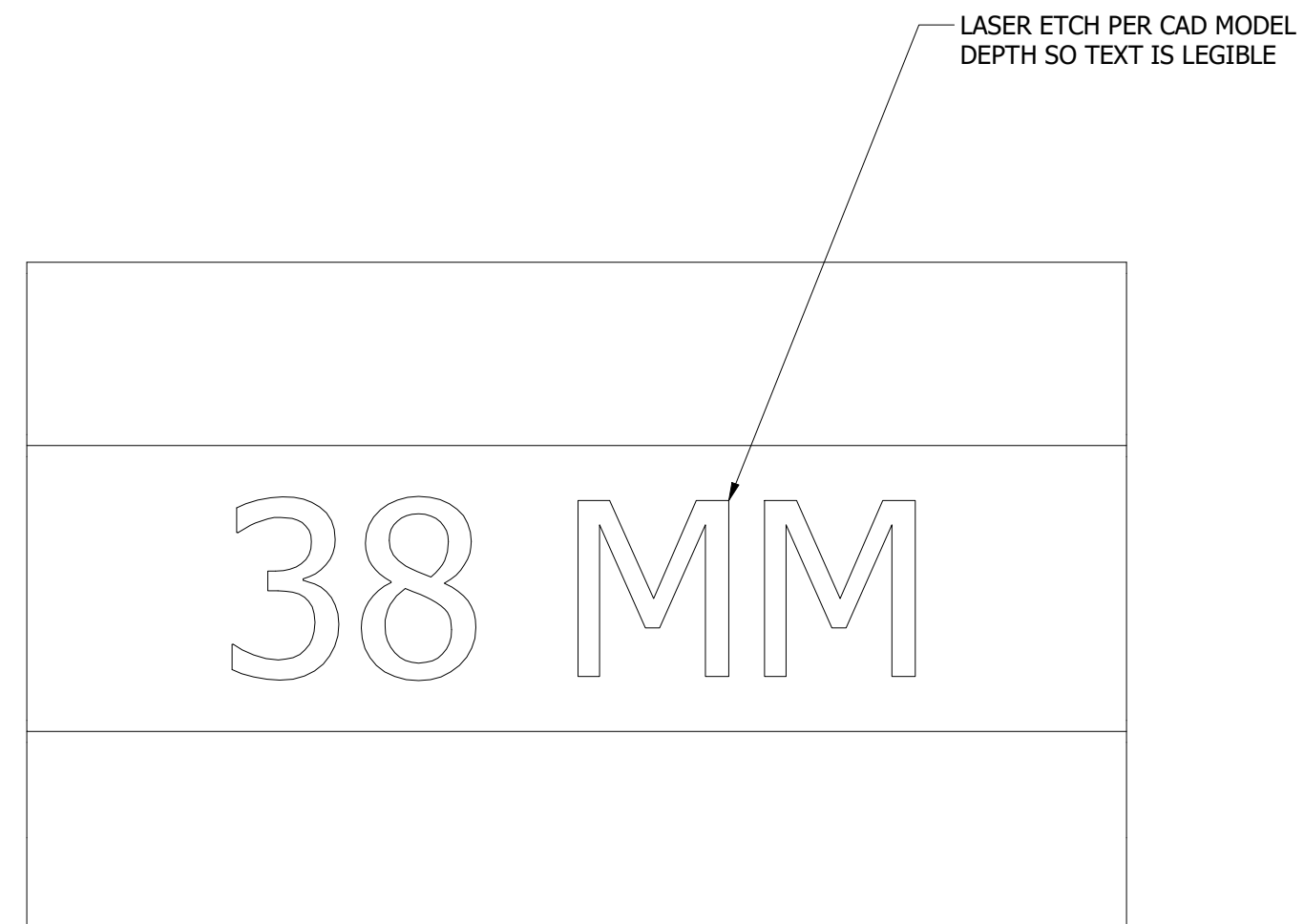
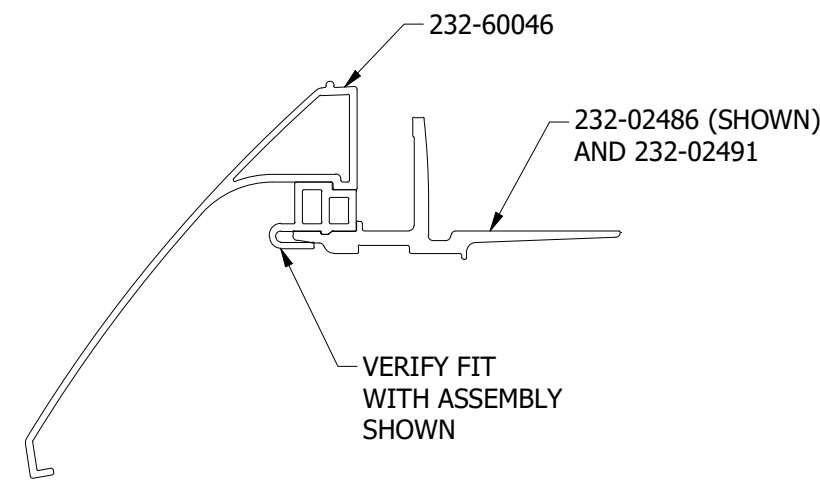
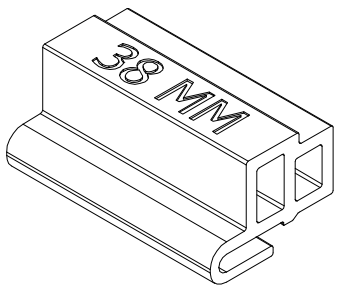


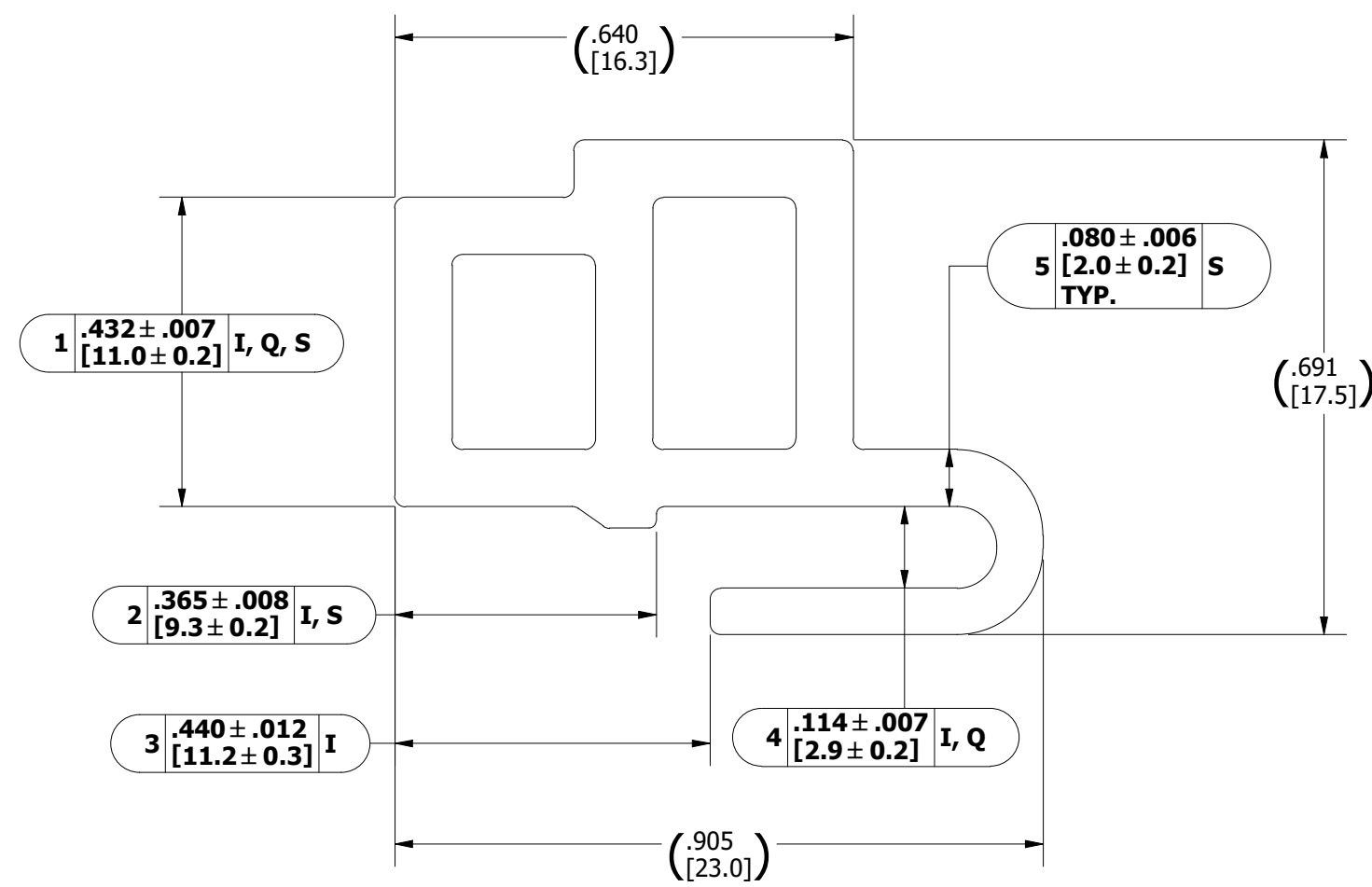
NOTES:

- MAKE FROM SNAPNRACK EXTRUSION 232-60053
- ALL DIMENSIONS IN INCHES UNLESS OTHERWISE STATED
- ALTERNATE DIMENSIONS IN [MM]
- REFER TO 3D CAD MODEL FOR DIMENSIONS NOT SHOWN ON DRAWING
- VERIFY CRITICAL DIMENSIONS IN **BOLD>**
- LASER ETCH PART AS SHOWN IN TOP VIEW
- DEBURR ROUGH EDGES (NO HANGING BURR)

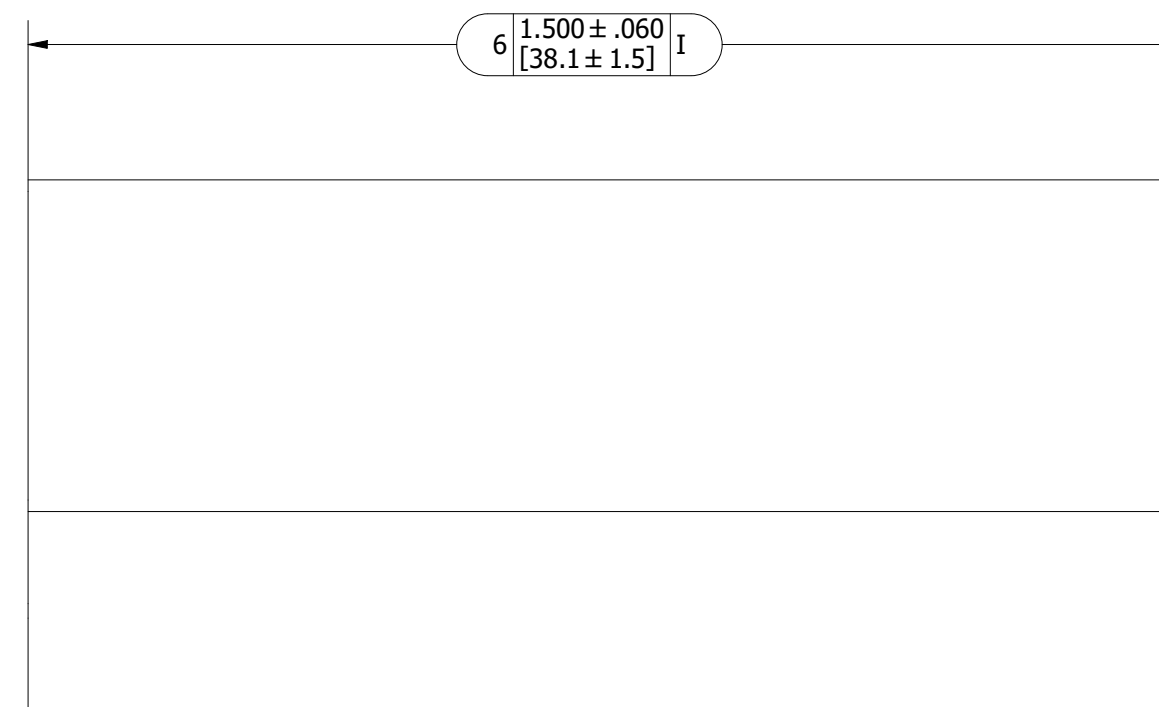
REVISION:			
A	5/7/2018	NEW ITEM	GTV
B	3/18/2019	NU000933	BDP
B	5/14/2019	NU000982	MJA
C	5/19/2021	NU001638	DR



TOP
SCALE 4 : 1



PROFILE
SCALE 4 : 1



FRONT
SCALE 4 : 1

MATERIAL:	6005-T5 ALUMINUM	FINISH:	BLACK ANODIZED: AA-M10C22A34	PART WEIGHT:	N/A
UNITS OF MEASURE:	IN, LB, DEG [MM, KG, DEG]	DESCRIPTION:	SnapRack, RL Universal, Skirt Spacer, 38mm	PART NUMBER:	232-02496
SHEET NUMBER:	1:1	SCALE:	DNS	REV	C
SHEET SIZE:	C	DATE:	5/19/2021		



SUNRUN INSTALLATION SERVICES INC.
225 BUSH STREET, SUITE 1400 • SAN FRANCISCO, CA 94104 USA
PHONE: (877) 732-2860 • CONTACT@SNAPNRACK.COM
THE INFORMATION IN THIS DRAWING IS CONFIDENTIAL AND PROPRIETARY.
ANY REPRODUCTION, DISCLOSURE, OR USE THEREOF IS PROHIBITED
WITHOUT THE WRITTEN CONSENT OF SNAPNRACK.

DESIGNER: B.PETERSON
DRAFTER: D.RYAN
APPROVED BY: W.ARBUCKLE