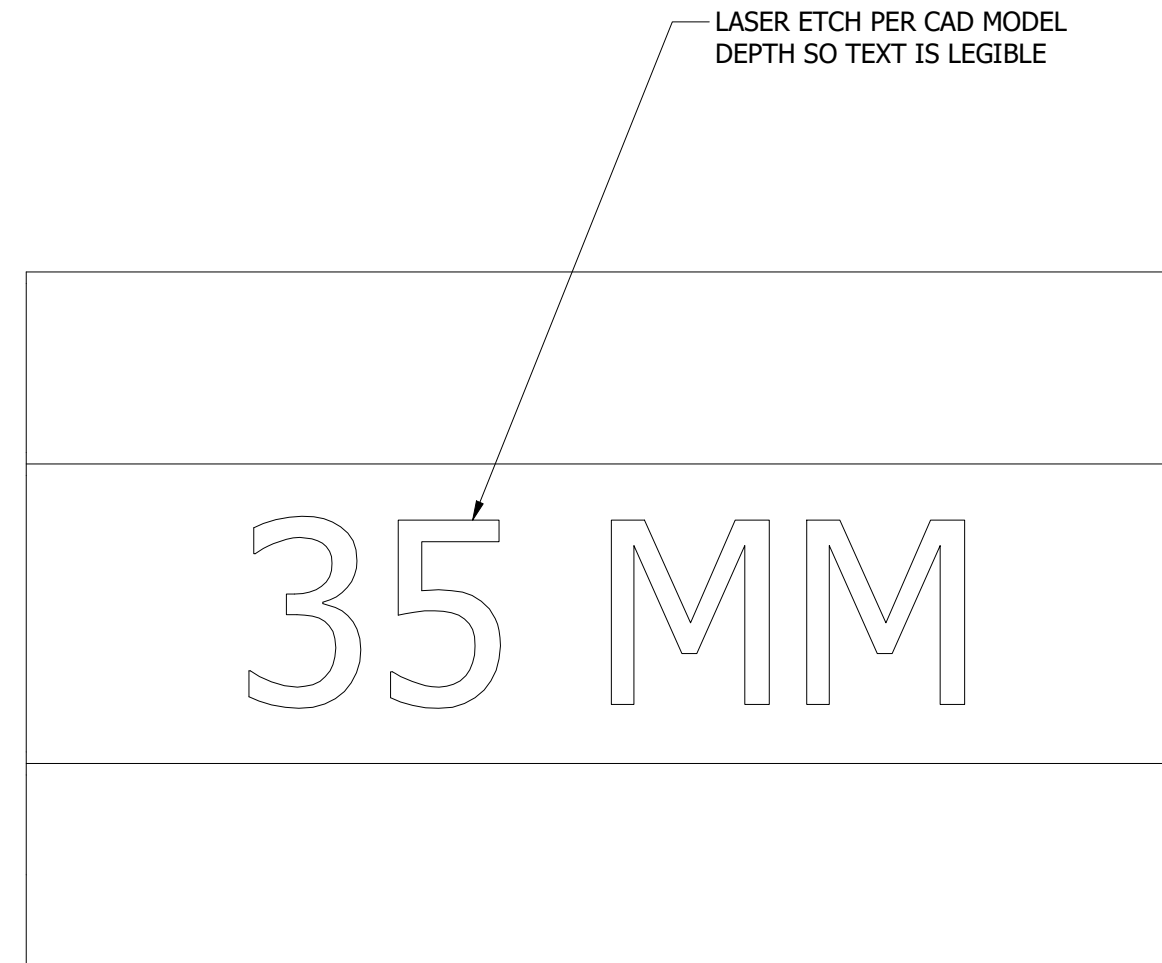
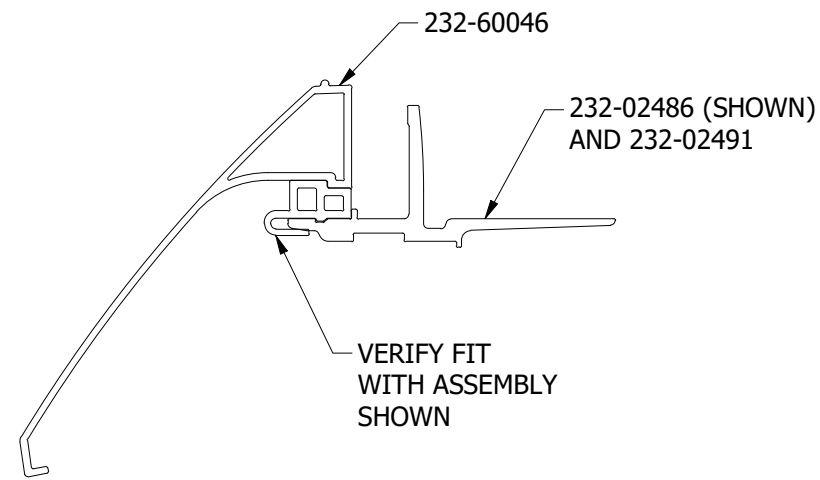
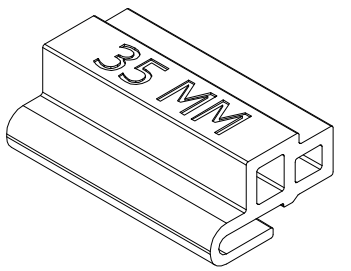


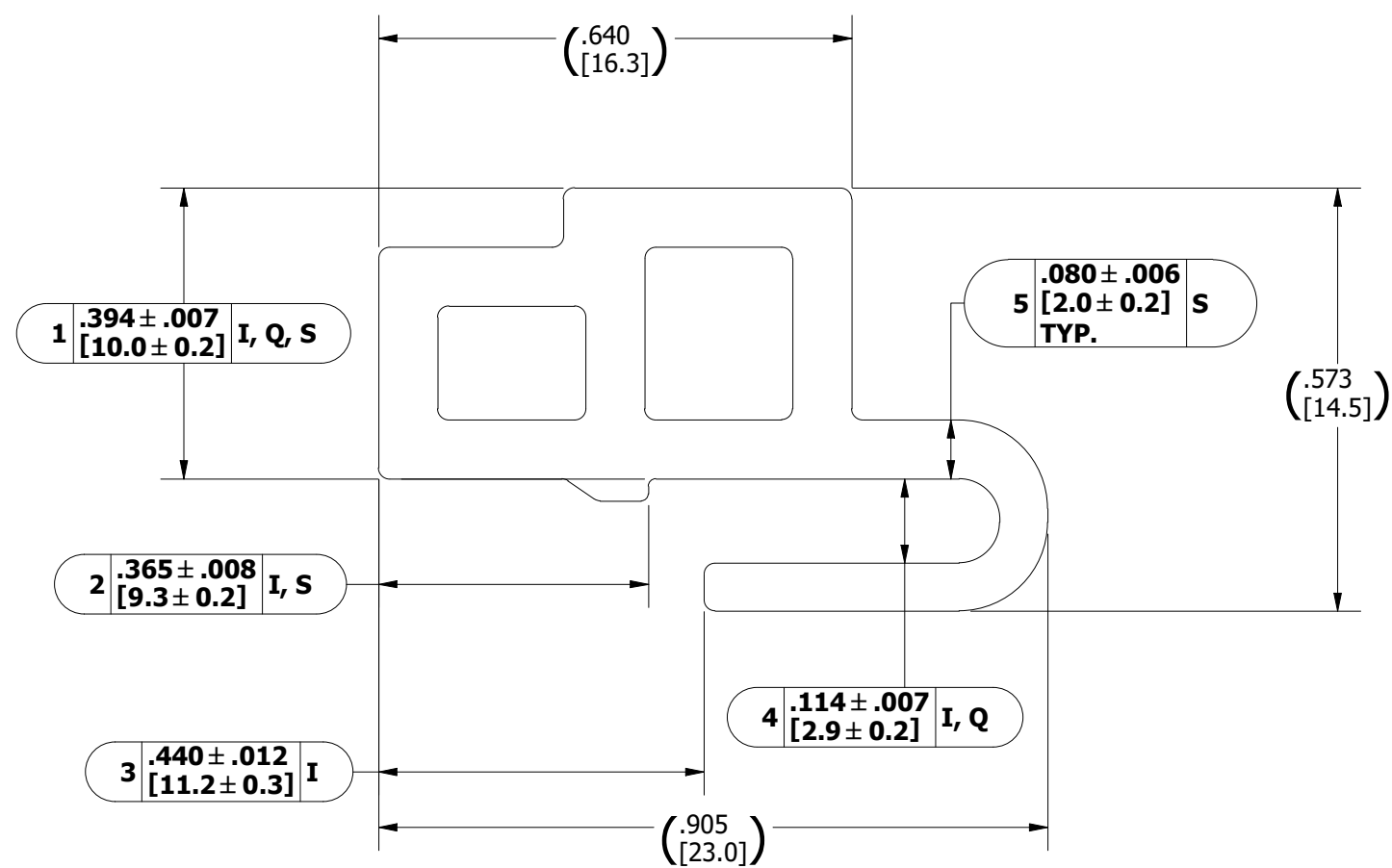
NOTES:

- MAKE FROM SNAPNRACK EXTRUSION 232-60052
- ALL DIMENSIONS IN INCHES UNLESS OTHERWISE STATED
- ALTERNATE DIMENSIONS IN [MM]
- REFER TO 3D CAD MODEL FOR DIMENSIONS NOT SHOWN ON DRAWING
- VERIFY CRITICAL DIMENSIONS IN **BOLD>**
- LASER ETCH PART AS SHOWN IN TOP VIEW
- DEBURR ROUGH EDGES (NO HANGING BURR)

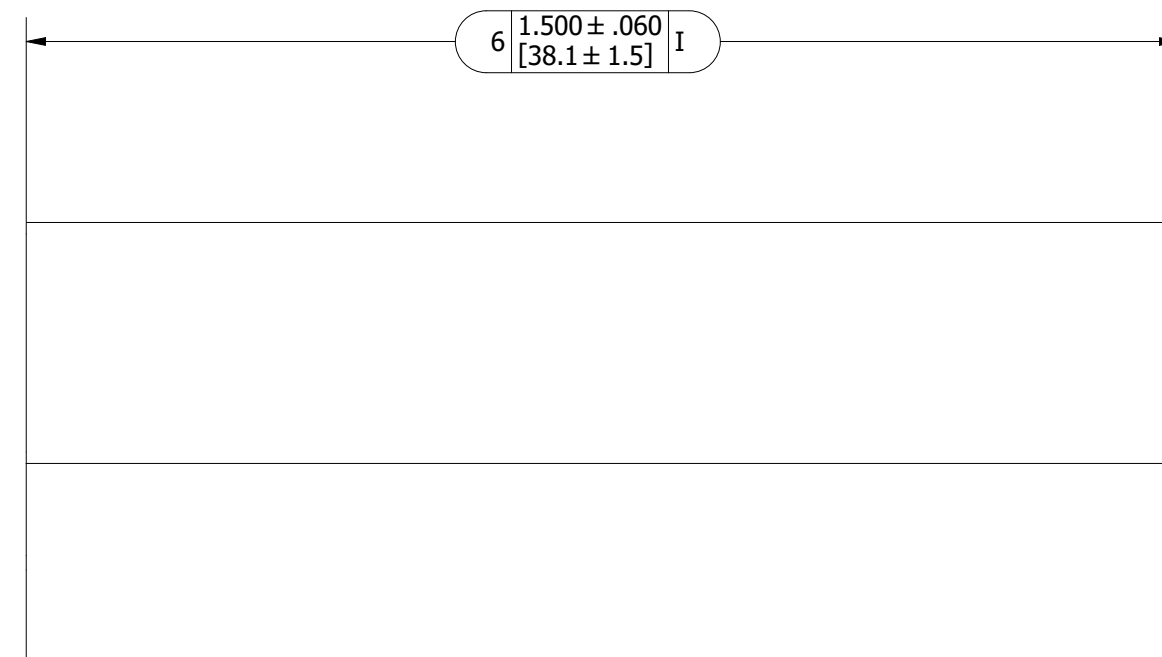
REVISION:			
A	5/7/2018	NEW ITEM	GTV
B	3/18/2019	NU000933	BDP
B	5/14/2019	NU000982	MJA
C	5/19/2021	NU001638	DR



TOP
SCALE 4 : 1



PROFILE
SCALE 4 : 1



FRONT
SCALE 4 : 1

	SUNRUN INSTALLATION SERVICES INC. 225 BUSH STREET, SUITE 1400 • SAN FRANCISCO, CA 94104 USA PHONE: (877) 732-2860 • CONTACT@SNAPNRACK.COM <small>THE INFORMATION IN THIS DRAWING IS CONFIDENTIAL AND PROPRIETARY. ANY REPRODUCTION, DISCLOSURE, OR USE THEREOF IS PROHIBITED WITHOUT THE WRITTEN CONSENT OF SNAPNRACK.</small>	DESIGNER: <u>B.PETERSON</u>	SHEET NUMBER: <u>1:1</u>	SCALE: <u>DNS</u>	MATERIAL: <u>6005-T5 ALUMINUM</u>	FINISH: <u>BLUE ANODIZED: AA-M10C22A34</u>	PART WEIGHT: <u>0.031 lbmass</u>	
		DRAFTER: <u>D.RYAN</u>	SHEET SIZE: <u>C</u>	DATE: <u>5/19/2021</u>	UNITS OF MEASURE: <u>IN, LB, DEG [MM, KG, DEG]</u>	DESCRIPTION: <u>SNAPNRACK, RL UNIVERSAL, SKIRT SPACER, 35MM</u>	PART NUMBER: <u>232-02495</u>	REV <u>C</u>
APPROVED BY: <u>W.ARBUCKLE</u>								