

DESCRIPTION:
SNAPNRACK, SMART CLIP II AND XL

DOC NUMBER:
SNR-DC-01361

SnapNrack®

PART NUMBER(S):
232-01173, 232-01176

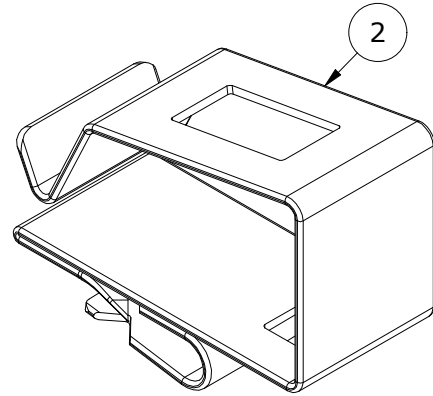
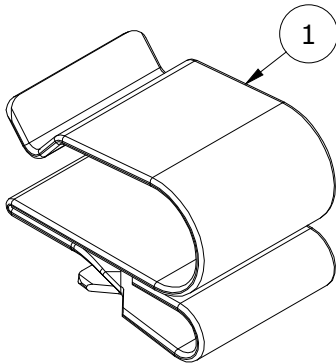
DRAWN BY:
H.WULFEKOETTER

SUNRUN INSTALLATION SERVICES INC.

UNITS: IN, LB, DEG [MM, KG, DEG] SHEET: 1:1

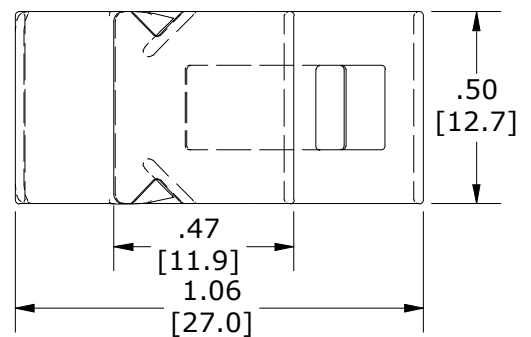
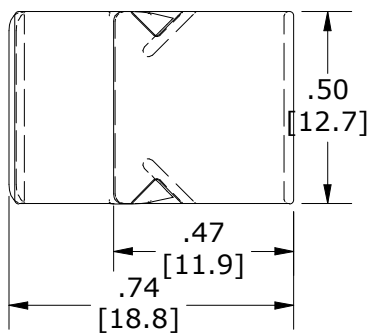
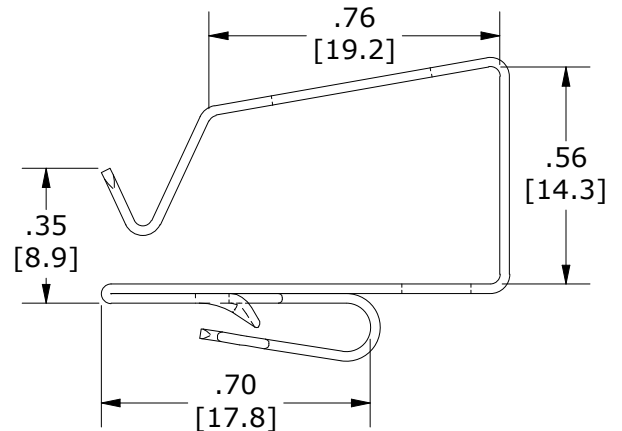
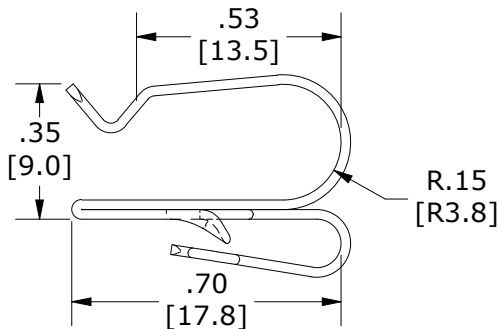
REV: **D** DATE: 1/23/2023

225 BUSH STREET, SUITE 1400 • SAN FRANCISCO, CA 94104 USA
PHONE (877) 732-2860 • CONTACT@SNAPNRACK.COM
THE INFORMATION IN THIS DRAWING IS CONFIDENTIAL AND PROPRIETARY. ANY REPRODUCTION, DISCLOSURE, OR USE THEREOF IS PROHIBITED WITHOUT THE WRITTEN CONSENT OF SUNRUN SOUTH LLC.



SMART CLIP PROPERTIES

ITEM	SKU	COMPONENT	CAPACITY
1	232-01173	SMART CLIP II	2 WIRES
2	232-01176	SMART CLIP XL	6 WIRES



MATERIALS: STAINLESS STEEL

DESIGN LOAD (LBS): N/A

ULTIMATE LOAD (LBS): N/A

TORQUE SPECIFICATION: N/A FT-LBS

CERTIFICATION: UL 2703, FILE E359313

WEIGHT (LBS): 0.01