

ALL DIMENSIONS IN INCHES UNLESS OTHERWISE STATED

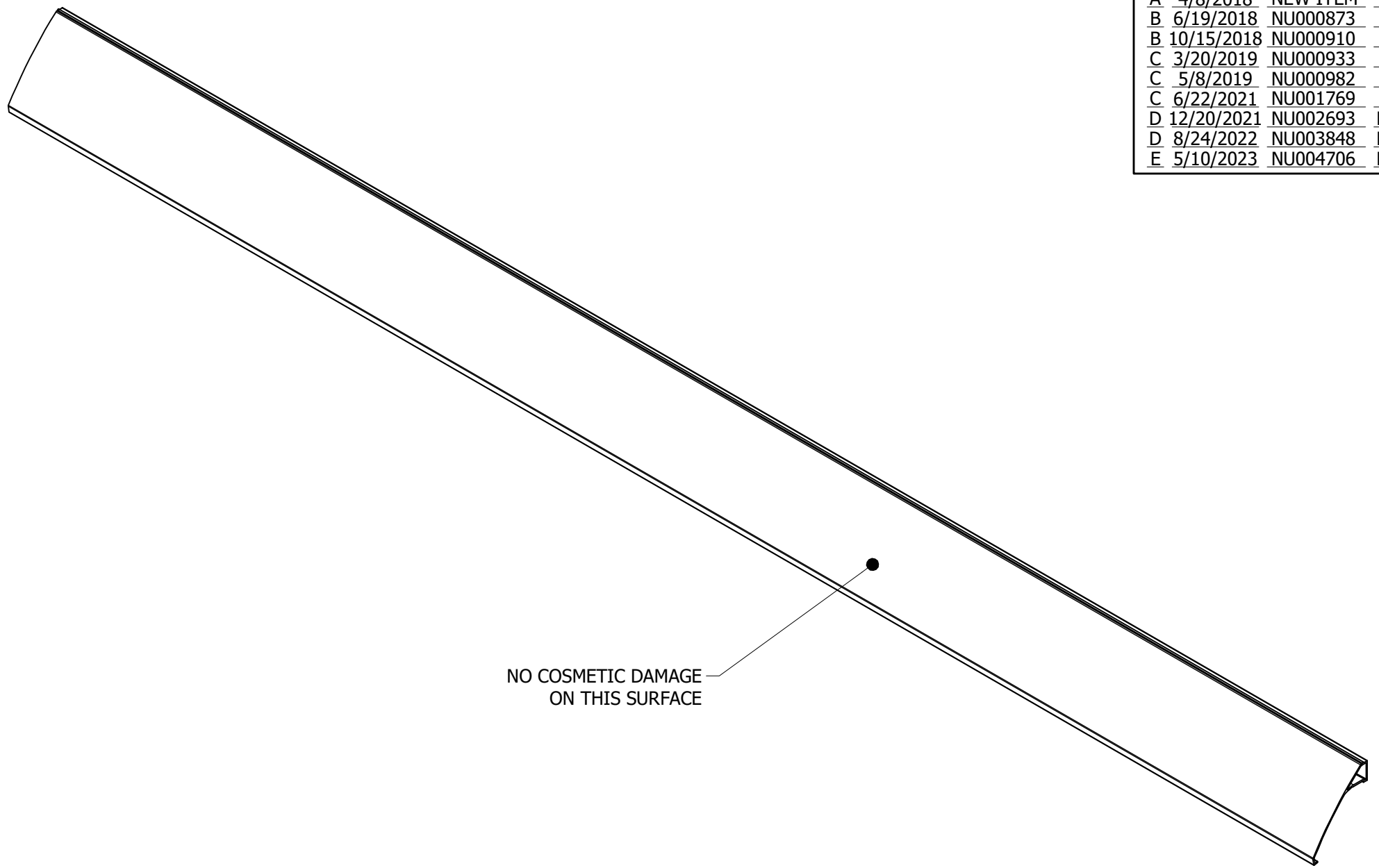
CRITICAL DIMENSIONS IN BOLD

REFER TO 3D CAD FILE FOR DIMENSIONS NOT SHOWN IN DRAWING

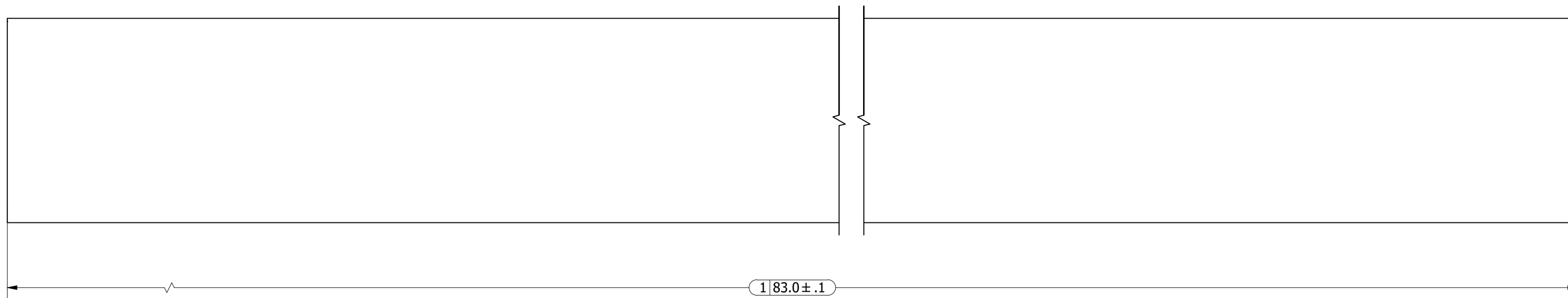
DEBURR ROUGH EDGES (NO HANGING BURR)

THIS IS A COSMETIC PART TAKE CARE TO MINIMIZE DAMAGE TO THE INDICATED FACES

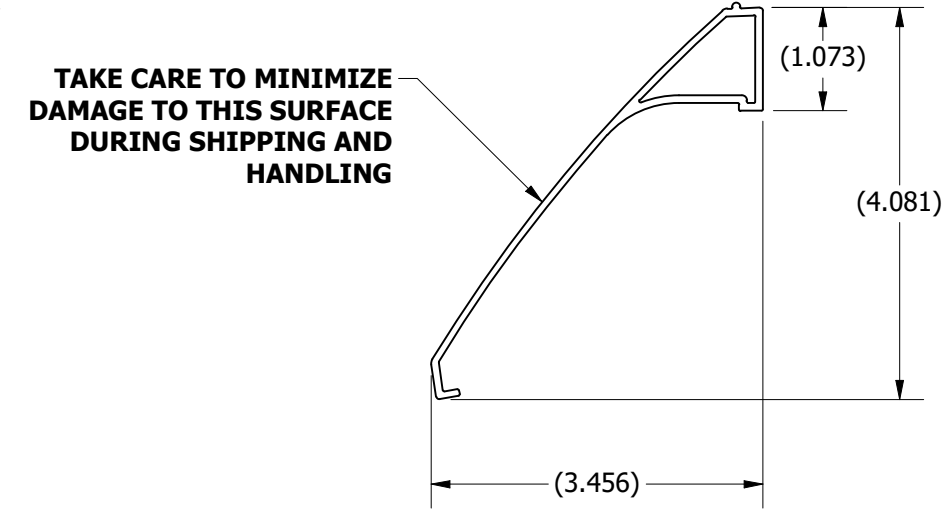
REVISION:		
A	4/8/2018	NEW ITEM BDP
B	6/19/2018	NU000873 BDP
B	10/15/2018	NU000910 MJA
C	3/20/2019	NU000933 DR
C	5/8/2019	NU000982 MJA
C	6/22/2021	NU001769 BDP
D	12/20/2021	NU002693 MKW
D	8/24/2022	NU003848 MKW
E	5/10/2023	NU004706 MKW



NO COSMETIC DAMAGE ON THIS SURFACE



1 | 83.0 ± .1



TAKE CARE TO MINIMIZE DAMAGE TO THIS SURFACE DURING SHIPPING AND HANDLING



SUNRUN INSTALLATION SERVICES INC.
 225 BUSH STREET, SUITE 1400 • SAN FRANCISCO, CA, 94104 USA
 PHONE: (877) 732-2860 • CONTACT@SNAPNRACK.COM
 THE INFORMATION IN THIS DRAWING IS CONFIDENTIAL AND PROPRIETARY. ANY REPRODUCTION, DISCLOSURE, OR USE THEREOF IS PROHIBITED WITHOUT THE WRITTEN CONSENT OF SNAPNRACK.

DESIGNER: B.PETERSON
 DRAFTER: M.WATKINS
 APPROVER: B.PETERSON

SHEET NUMBER: 1:1
 SHEET SIZE: C

SCALE: DNS
 DATE: 5/10/2023

MATERIAL: 6005-T5 OR 6063-T6 ALUMINUM, PER ASTM B221
 UNITS OF MEASURE: IN, LB, DEG [MM, KG, DEG]

FINISH: BLACK ANODIZED: AA-M10C22A34
 DESCRIPTION: SNAPNRACK, UNIVERSAL DOUBLE PORTRAIT SKIRT, 83IN, BLACK
 PART WEIGHT: 4.917 lbmass
 PART NUMBER: 232-02493
 REV: E