

DESCRIPTION:  
**SNAPNRACK, TDS, CONDUIT SUPPORT TILE HOOK**

DOC NUMBER:  
 SNR-DC-01389

SnapNrack®

PART NUMBER(S):  
 242-02104, 242-02108

DRAWN BY:  
 D.RYAN

SUNRUN INSTALLATION SERVICES INC.

REV: **C**      DATE:  
 11/7/2023

225 BUSH STREET, SUITE 1400 • SAN FRANCISCO, CA 94104 USA  
 PHONE (877) 732-2860 • CONTACT@SNAPNRACK.COM  
THE INFORMATION IN THIS DRAWING IS CONFIDENTIAL AND PROPRIETARY. ANY REPRODUCTION, DISCLOSURE, OR USE THEREOF IS PROHIBITED WITHOUT THE WRITTEN CONSENT OF SUNRUN SOUTH LLC.

UNITS: IN, LB, DEG [MM, KG, DEG]      SHEET: 1:2

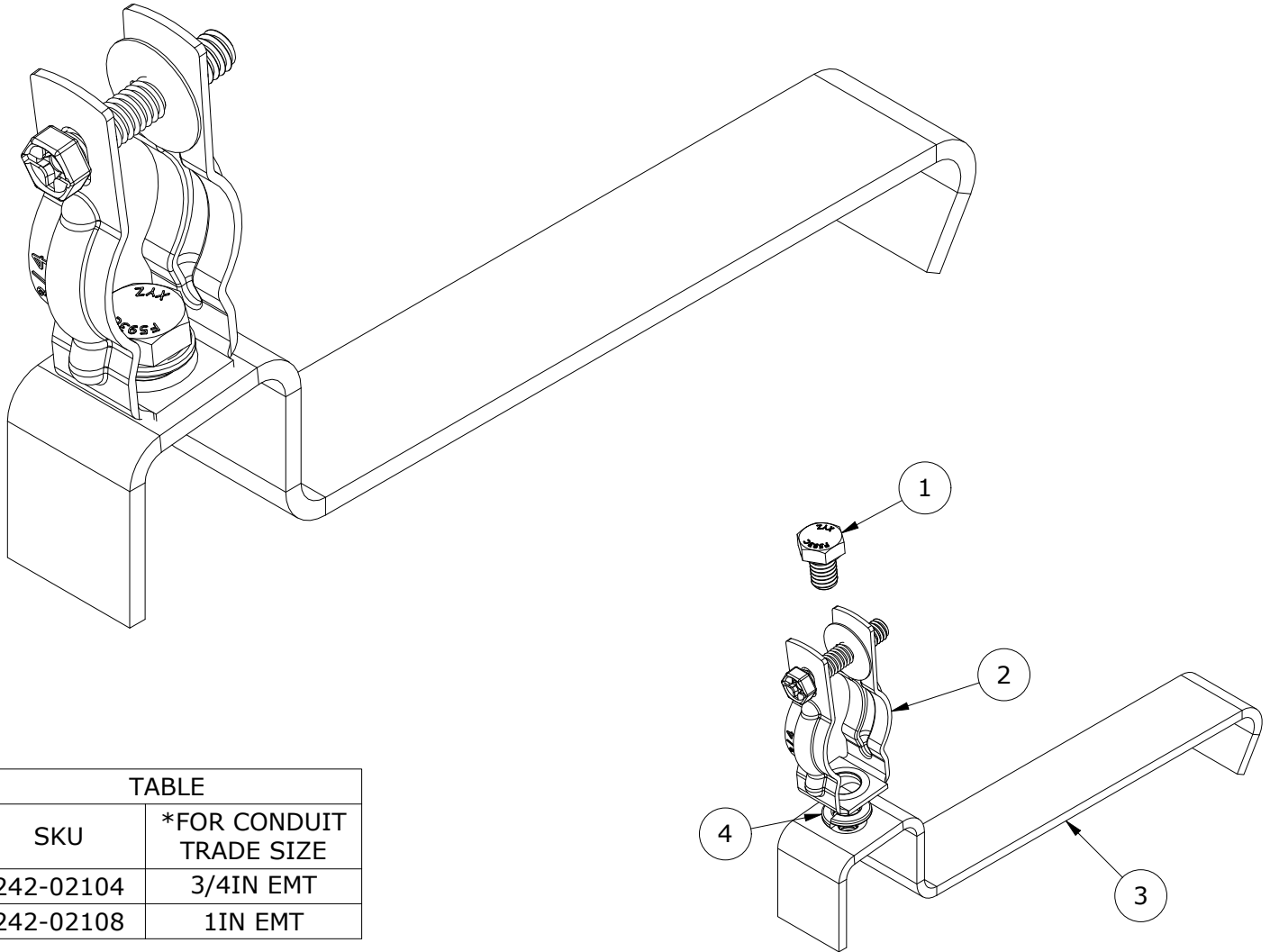


TABLE	
SKU	*FOR CONDUIT TRADE SIZE
242-02104	3/4IN EMT
242-02108	1IN EMT

PARTS LIST		
ITEM	QTY	DESCRIPTION
1	1	BOLT, HEX CAP, 5/16IN-18 X 1/2IN, SS
2	1	CONDUIT SUPPORT, RIGID-EMT, 3/8IN HOLE, HANGER-BOLT-NUTLESS, ZINC PLATED STEEL*
3	1	SNAPNRACK, CONDUIT TILE HOOK PRC
4	1	WASHER, LOCK, 5/16IN, SPLIT, SS

MATERIALS:	6000 SERIES ALUMINUM, STAINLESS STEEL, ZINC PLATED STEEL
DESIGN LOAD (LBS):	N/A
ULTIMATE LOAD (LBS):	N/A
TORQUE SPECIFICATION:	N/A FT-LBS
CERTIFICATION:	N/A
WEIGHT (LBS):	0.20

DESCRIPTION:  
SNAPRACK, TDS, CONDUIT SUPPORT TILE  
HOOK

DOC NUMBER:  
SNR-DC-01389

SnapNrack®

PART NUMBER(S):  
242-02104, 242-02108

DRAWN BY:  
D.RYAN

REV: C  
DATE: 11/7/2023

SUNRUN INSTALLATION SERVICES INC.  
225 BUSH STREET, SUITE 1400 • SAN FRANCISCO, CA 94104 USA  
PHONE (877) 732-2860 • CONTACT@SNAPNRACK.COM  
THE INFORMATION IN THIS DRAWING IS CONFIDENTIAL AND PROPRIETARY. ANY  
REPRODUCTION, DISCLOSURE, OR USE THEREOF IS PROHIBITED WITHOUT THE  
WRITTEN CONSENT OF SUNRUN SOUTH LLC.

UNITS: IN, LB, DEG [MM, KG, DEG] SHEET: 2:2

