

DESCRIPTION:  
**SNAPNRACK, TDS, TILE HOOK REPLACEMENT  
 FLASHING, W**

DOC NUMBER:  
 SNR-DC-01346

**SnapNrack®**

PART NUMBER(S):

232-60057

DRAWN BY:  
 H.WULFEKOETTER

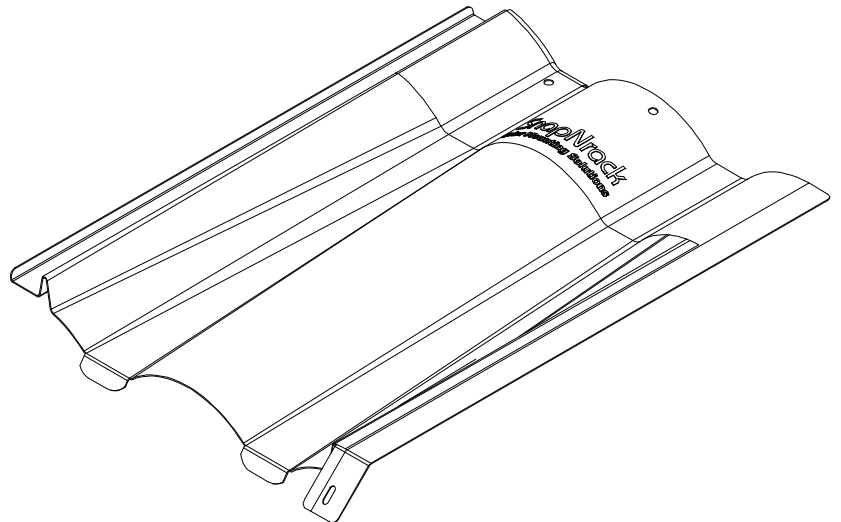
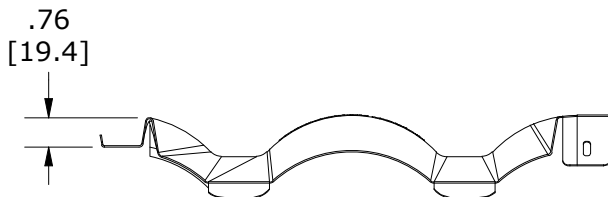
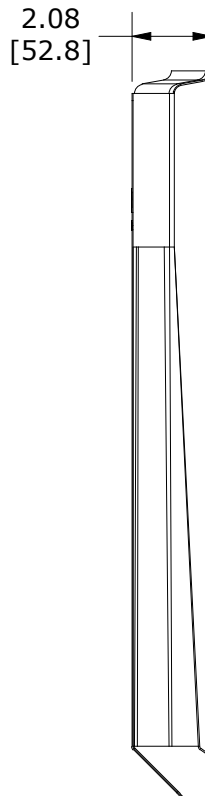
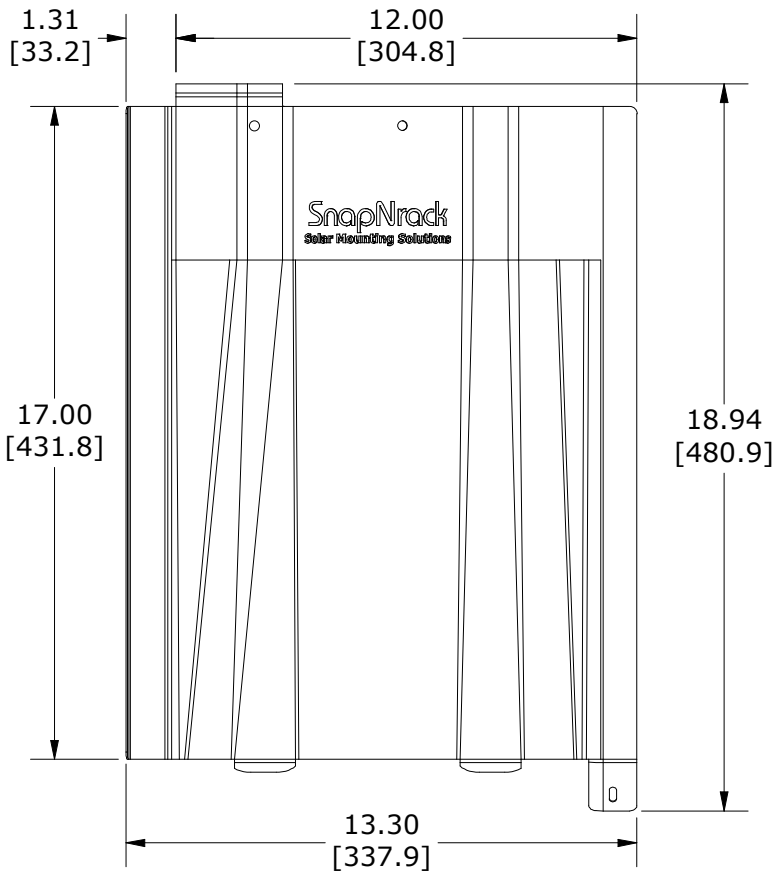
REV: **C**      DATE:  
 1/20/2023

SUNRUN INSTALLATION SERVICES INC.

225 BUSH STREET, SUITE 1400 • SAN FRANCISCO, CA 94104 USA  
 PHONE (877) 732-2860 • CONTACT@SNAPNRACK.COM

THE INFORMATION IN THIS DRAWING IS CONFIDENTIAL AND PROPRIETARY. ANY  
 REPRODUCTION, DISCLOSURE, OR USE THEREOF IS PROHIBITED WITHOUT THE  
 WRITTEN CONSENT OF SUNRUN SOUTH LLC.

UNITS: IN, LB, DEG [MM, KG, DEG]      SHEET: 1:1



MATERIALS:	DEAD SOFT ALUMINUM
DESIGN LOAD (LBS):	N/A
ULTIMATE LOAD (LBS):	N/A
TORQUE SPECIFICATION:	N/A FT-LBS
CERTIFICATION:	N/A
WEIGHT (LBS):	0.88