

DESCRIPTION:
SNAPNRACK, TDS, ULTRA RAIL COMP KIT

DOC NUMBER:
 SNR-DC-01342



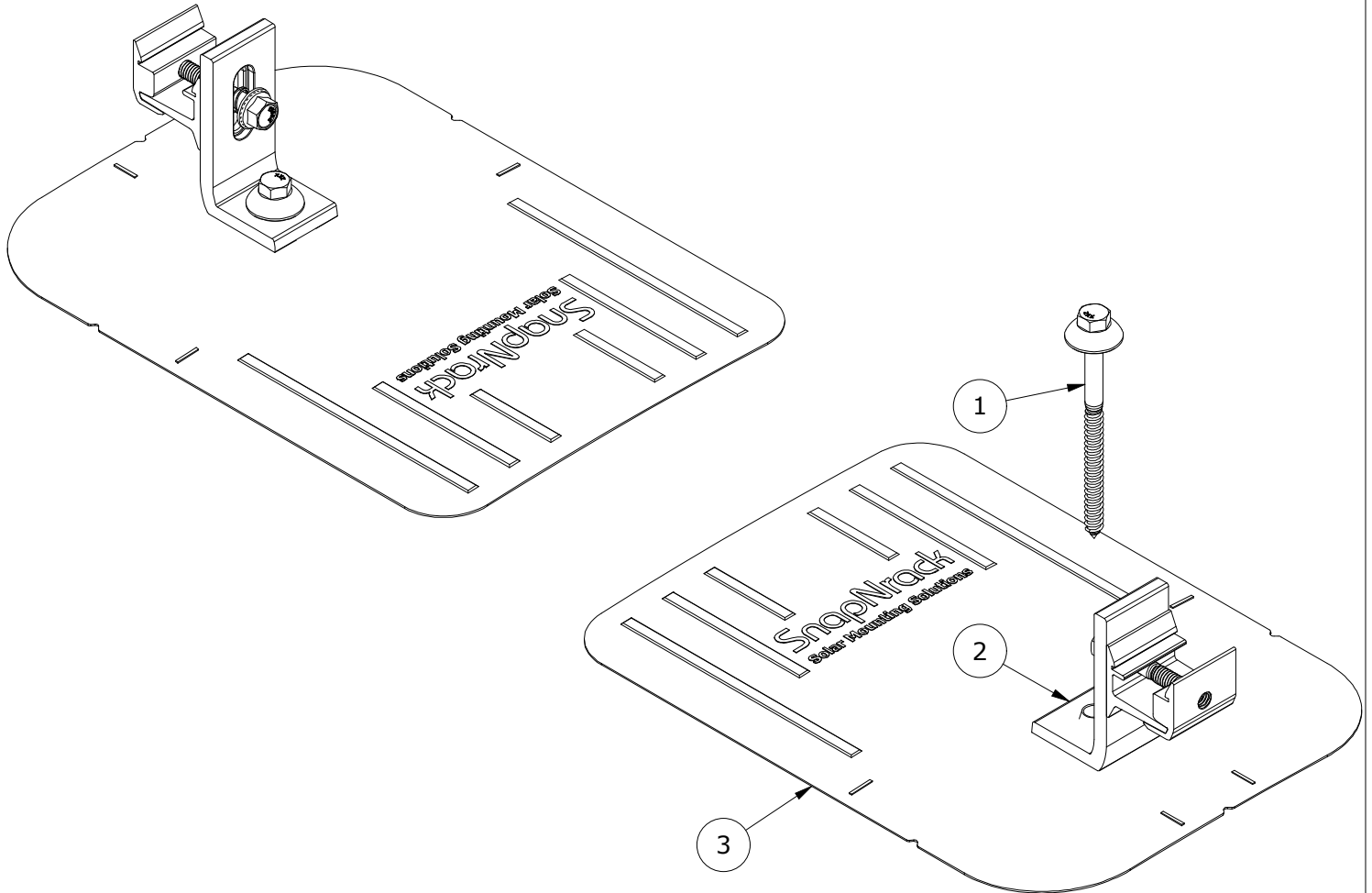
PART NUMBER(S):
 242-92266, 242-01219, 242-01220, 232-01375,
 232-01376, 232-01377

DRAWN BY:
 H.WULFEKOETTER

REV: **D** DATE:
 1/20/2023

SUNRUN INSTALLATION SERVICES INC.
 225 BUSH STREET, SUITE 1400 • SAN FRANCISCO, CA 94104 USA
 PHONE (877) 732-2860 • CONTACT@SNAPNRACK.COM
THE INFORMATION IN THIS DRAWING IS CONFIDENTIAL AND PROPRIETARY. ANY REPRODUCTION, DISCLOSURE, OR USE THEREOF IS PROHIBITED WITHOUT THE WRITTEN CONSENT OF SUNRUN SOUTH LLC.

UNITS: IN, LB, DEG [MM, KG, DEG] SHEET: 1:2



PARTS LIST

ITEM	QTY	PART NUMBER	DESCRIPTION
1	1	242-92266	SNAPNRACK, UMBRELLA LAG, TYPE 3, 4IN, SS
2	1	242-01219, 242-01220	SNAPNRACK, ULTRA RAIL UMBRELLA L FOOT, SILVER / BLACK
3	1	232-01375, 232-01376, 232-01377	SNAPNRACK, COMP FLASHING, 9IN X 12IN, SILVER / BLACK

MATERIALS:	6000 SERIES ALUMINUM, STAINLESS STEEL, RUBBER
DESIGN LOAD (LBS):	802 UP, 1333 DOWN, 356 SIDE
ULTIMATE LOAD (LBS):	2005 UP, 4000 DOWN, 1070 SIDE
TORQUE SPECIFICATION:	12 FT-LBS
CERTIFICATION:	UL 2703, FILE E359313; WIND-DRIVEN RAIN TEST FROM UL SUBJECT 2582
WEIGHT (LBS):	0.93 -1.03

DESCRIPTION:
SNAPNRACK, TDS, ULTRA RAIL COMP KIT

DOC NUMBER:
SNR-DC-01342

SnapNrack®

PART NUMBER(S):
242-92266, 242-01219, 242-01220, 232-01375,
232-01376, 232-01377

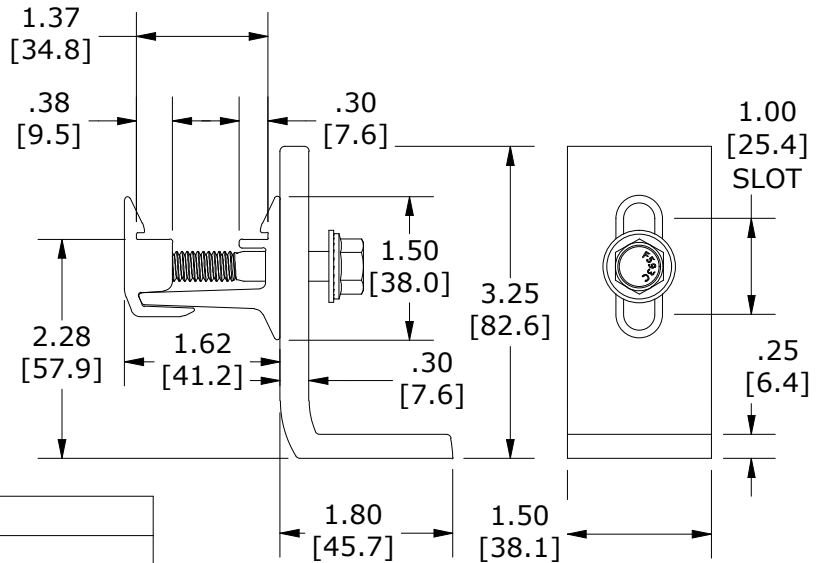
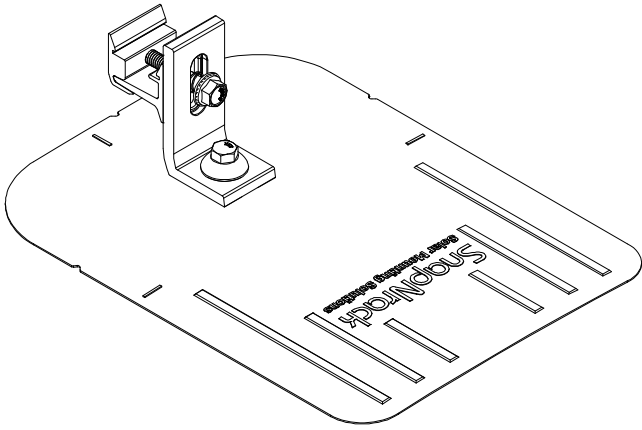
DRAWN BY:
H.WULFEKOETTER

SUNRUN INSTALLATION SERVICES INC.

REV: **D** DATE: 1/20/2023

225 BUSH STREET, SUITE 1400 • SAN FRANCISCO, CA 94104 USA
PHONE (877) 732-2860 • CONTACT@SNAPNRACK.COM
THE INFORMATION IN THIS DRAWING IS CONFIDENTIAL AND PROPRIETARY. ANY REPRODUCTION, DISCLOSURE, OR USE THEREOF IS PROHIBITED WITHOUT THE WRITTEN CONSENT OF SUNRUN SOUTH LLC.

UNITS: IN, LB, DEG [MM, KG, DEG] SHEET: 2:2



COMP FLASHING PROPERTIES	
SKU	DESCRIPTION
232-01375	COMP FLASHING, 9" X 12", BLACK ALUM
232-01376	COMP FLASHING, 9" X 12", SILVER ALUM
232-01377	COMP FLASHING, 9" X 12", BLACK GALVALUME

