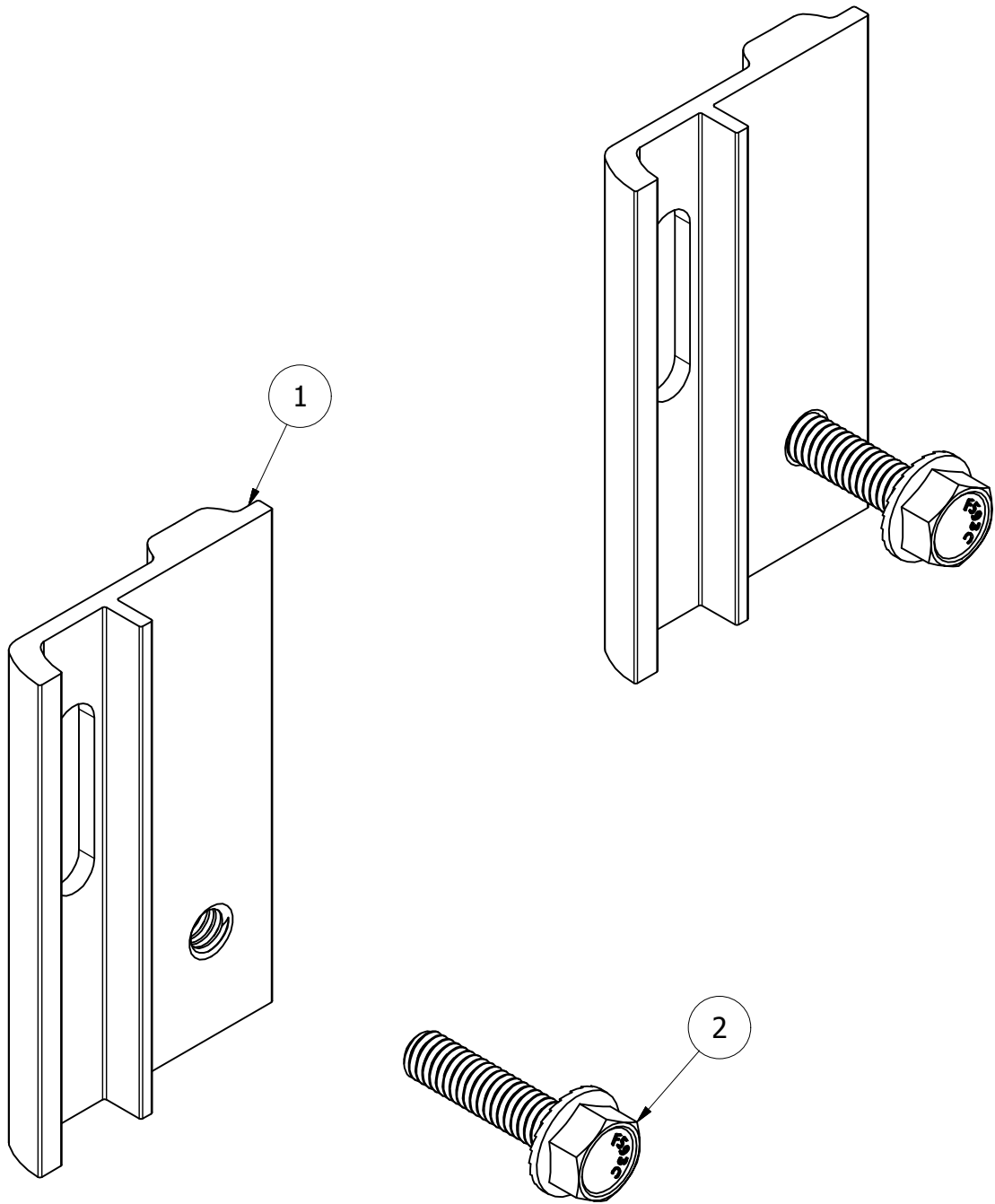


BOLT DEPTH NOT CRITICAL. INSERT TO DEPTH
NECESSARY FOR PACKING EFFICIENCY



ASSEMBLER:

INSPECTOR:

PARTS LIST

ITEM	QTY	PART NUMBER	DESCRIPTION
1	1	232-02061	SNAPRACK, L FOOT EXTENSION PRC, BLACK
2	1	162-00117	BOLT, FLANGE, SERRATED, 5/16IN-18 X 1-1/4IN, BLACK, SS

DESCRIPTION:

SNAPRACK, L FOOT EXTENSION KIT,
BLACK

DRAWN BY: Marty.Affentrager

APPROVED BY: G.McPheeters

REVISION:

A 10/11/2017 NEW ITEM MA

SnapNrack™
Solar Mounting Solutions

Sunrun South LLC

595 MARKET STREET, 29TH FLOOR • SAN FRANCISCO, CA 94105 USA
PHONE (415) 580-6900 • FAX (415) 580-6902

PART NUMBER:

242-01120

SCALE:

DNS

REV:

A

THE INFORMATION IN THIS DRAWING IS CONFIDENTIAL AND PROPRIETARY. ANY
REPRODUCTION, DISCLOSURE, OR USE THEREOF IS PROHIBITED WITHOUT THE
WRITTEN CONSENT OF SUNRUN SOUTH LLC.