

MANUFACTURE FROM 20 GA (.0320)
5052-O ALUMINUM SHEET

MILL FINISH

REFER TO 3D CAD MODEL FOR
DIMENSIONS NOT SHOWN ON DRAWING

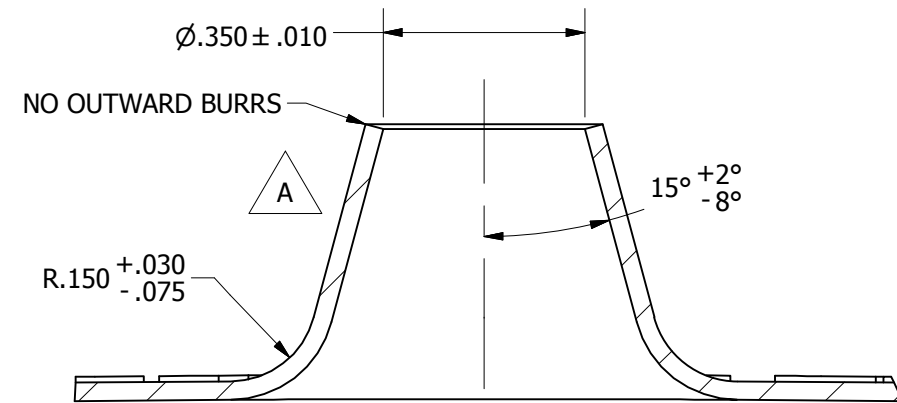
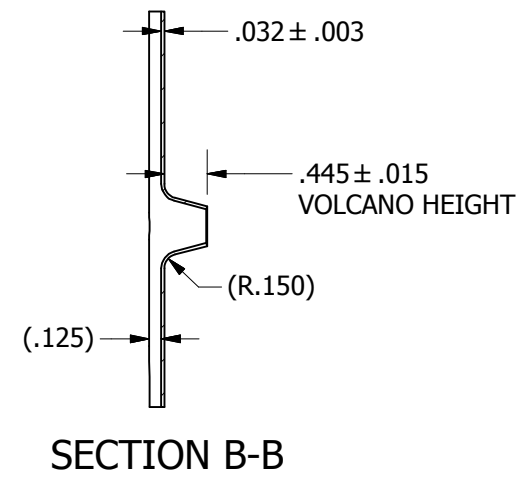
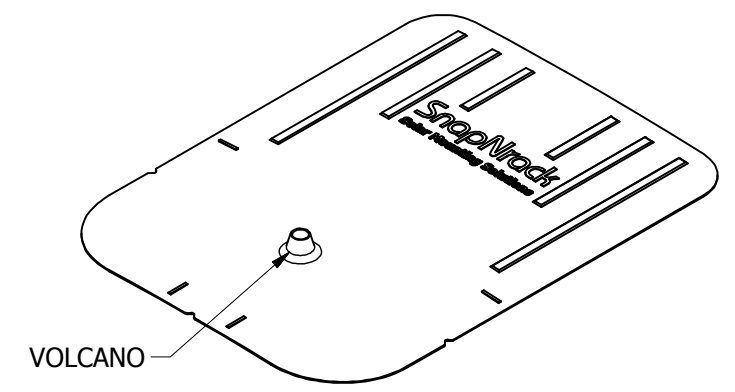
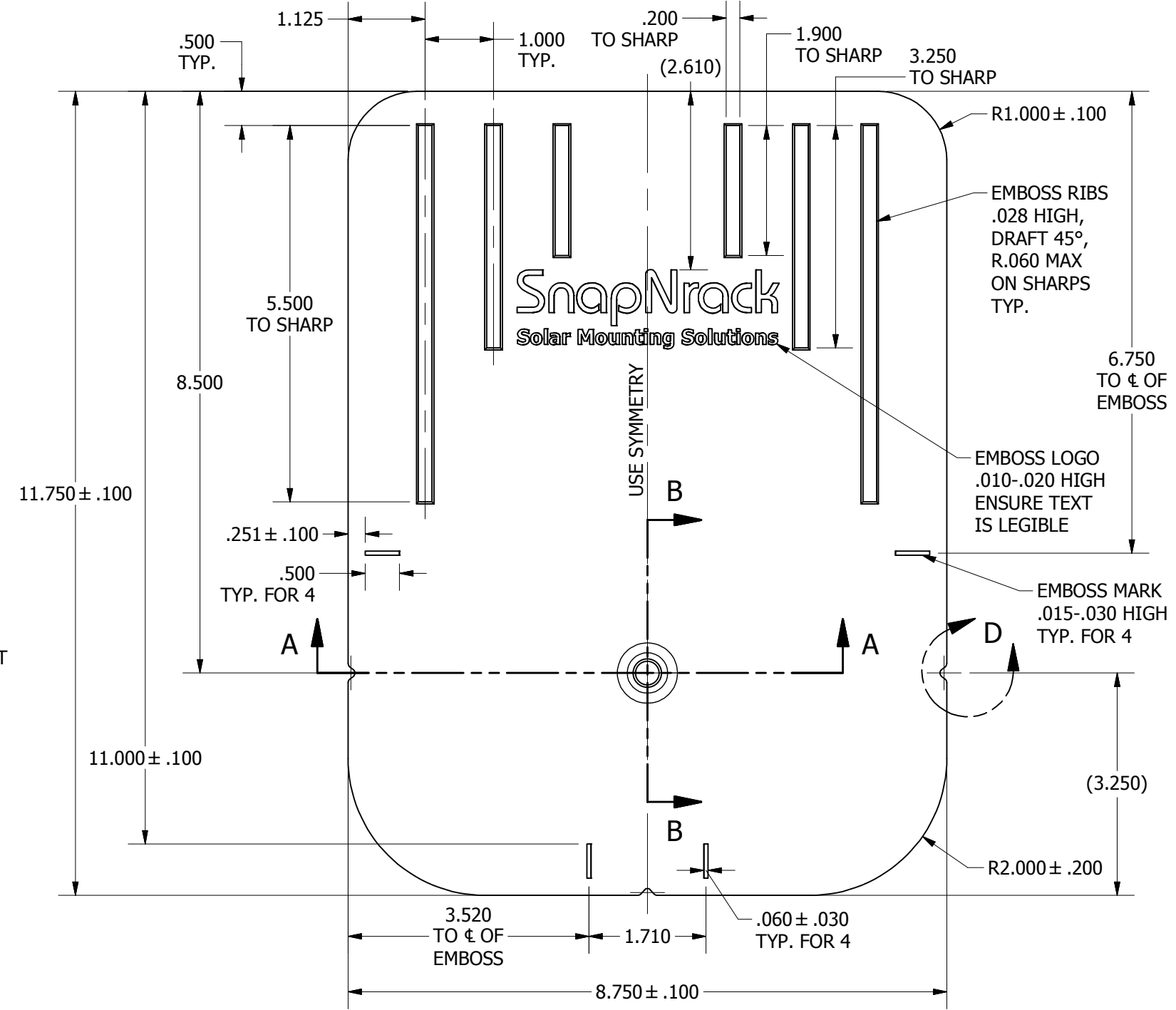
ALL DIMENSIONS IN INCHES UNLESS
OTHERWISE STATED

ALL DIMENSIONS
+/- .050, +/- 2°
UNLESS OTHERWISE STATED

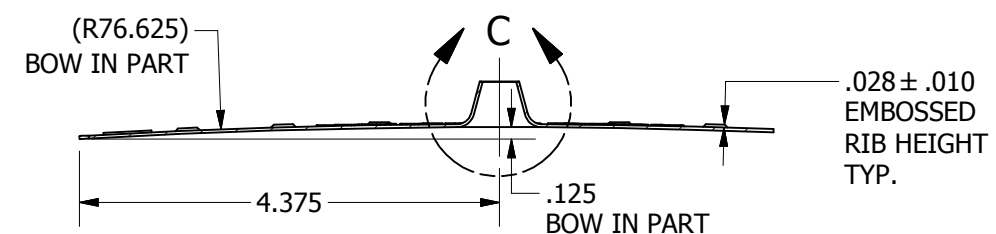
USE PART SYMMETRY

PART WEIGHT: 0.32 LBS

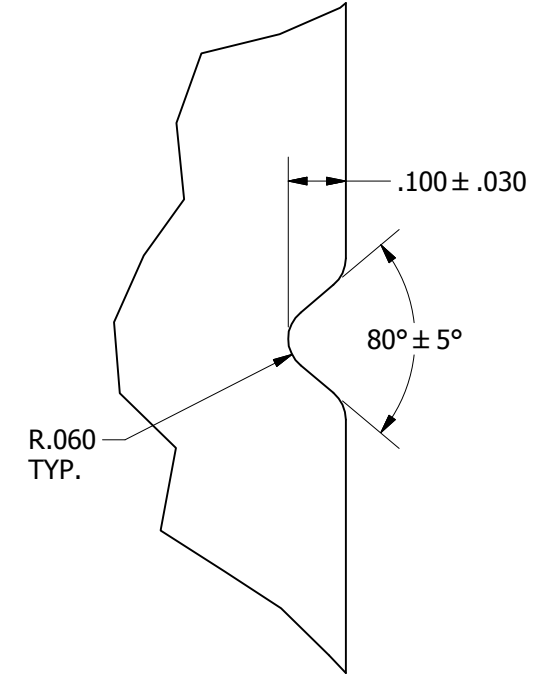
REVISION:		
A	12/14/2017	NEW ITEM
A	1/9/2018	NU000733
		GTV
		GTV



DETAIL C
SCALE 3 : 1



SECTION A-A



DETAIL D
SCALE 3 : 1
TYP. FOR 3



Sunrun South LLC
595 MARKET STREET, 29TH FLOOR • SAN FRANCISCO, CA 94105 USA
PHONE (415) 580-6900 • FAX (415) 580-6902
THE INFORMATION IN THIS DRAWING IS CONFIDENTIAL AND PROPRIETARY. ANY REPRODUCTION, DISCLOSURE, OR USE THEREOF IS PROHIBITED WITHOUT THE WRITTEN CONSENT OF SUNRUN SOUTH LLC.

DESIGNER: G.McPheeters
DRAFTER: G.Viscuso
APPROVED BY: G.McPheeters

SCALE: 1 / 2
DATE: 1/9/2018

PART NUMBER:
232-01376

DESCRIPTION: SNAPNRACK, COMP FLASHING, 9IN X 12IN, SILVER ALUM

REV
A